



Instructions by GRLLR Manuals

GRLLR Connect Fridge Manual

This manual provides detailed instructions for the operation, maintenance, and troubleshooting of the GRLLR Connect Fridge. It includes guidelines for transportation, placement, pre-operation, temperature adjustment, energy saving, cleaning, maintenance, and troubleshooting.

Product Information

GRLLR Connect Fridge



Description

Enhance your outdoor cooking experience with the GRLLR Connect Fridge, your ultimate outdoor kitchen companion!

Designed to seamlessly integrate with the GRLLR Connect series, this versatile fridge keeps your beverages cool and easily accessible.

Crafted with premium materials, it offers ample storage space for all your culinary delights, ensuring freshness throughout your outdoor cooking adventures. Elevate your outdoor cooking game today with the GRLLR Connect Fridge!

Product specifications

Rated For	Beverage Cooling
Gross Capacity	60 L
Climate Class	N-ST (maximum working temperature 35°C)
Temperature	2-10°C
Cooling System	Fan Assisted Cooling
Evaporator	Roll Bond Evaporator
Condenser	Back Hanging Skin Condenser
Refrigerant	R600a



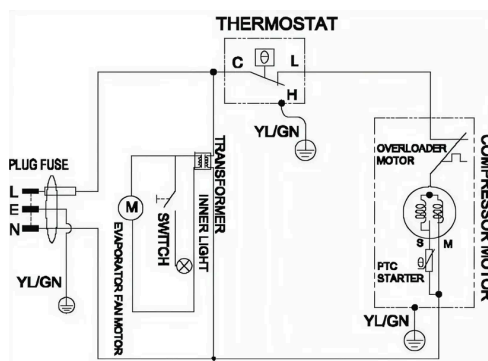
Voltage	220-240 V/ 50 Hz
Light	1x Horizontal LED Light
Shelves	2x Plastic Coated Shelves
Thermostat	Digital
Door	Anti-UV Plastic Door Frame

SKU	Color/s
GR-24-CON-FRU	Anthracite

Dimensions	Weight
43 x 47.5 x 69 cm	25 kg

Technical Specifications

- **Model:** SC-60F
- **Climatic Category:** N-ST
- **Electric Protect Rank:** I
- **Capacity:** 60L
- **Rated Voltage:** 220V
- **Rated Frequency:** 50Hz
- **Wattage:** 65W
- **Rated Current:** 1.0A
- **Energy Consumption:** 0.9 kW·h/24h
- **Refrigerant:** R600a
- **Charge:** 30g
- **Lights:** 2W
- **Foam Blowing Agent:** Cyclopentane
- **Net Weight:** 25kg



Caution: Burns could result. Do not touch the compressor.

Supplies



Manual

1. Important Information

Please read this product manual prior to operating your equipment. In the interests of Health and Safety we recommend that this product is only maintained and repaired by qualified refrigeration personnel.

2. Transportation

- Never transport this unit any way except in its standard upright position.
- Never tilt the product to an angle of more than 45° from the regular, horizontal position.
- Always allow the product to rest for at least 1 hour after transportation before switching it on.

3. Technical Assistance

If you have any questions regarding the safe operation of this equipment you can contact technical support at support@thegrllrcompany.com

4. Placement

- For maximum performance this product should be placed in a well ventilated area away from direct sunlight, sources of heat and forced air.
- Please allow at least 50mm between the rear of the product and any walls.
- Always place the product on a strong, level floor to eliminate unwanted noise and vibration.

Warning - Failure to maintain may invalidate warranty

- This item must be maintained regularly to the standards set out in this operations manual. Failure to do so may result in the warranty becoming null and void.
- If this equipment has been subject to misuse, abuse or damage through careless operation the warranty shall be invalid.



5. Pre-operation

- Please completely remove this unit from all packaging materials. Be aware that it may contain packaging internally to stop the movement of shelves or baskets.
- Run the equipment for at least 2 hours prior to loading with any product.
- Always place product into refrigeration equipment in small batches. If you attempt to fill the fridge/freezer completely with un-chilled product it may place undue stress on the refrigeration system.
- Always neatly place items into the equipment ensuring adequate air circulation.
- Always place items gently into the equipment, never throw items as this may damage the insulated wall panels.
- Keep away from little children, as they may choke, suffocate or get injured with the packaging contents.

6. Adjusting the Temperature

You can adjust the temperature of the equipment using the adjustable thermostat located inside the unit.

7. Energy Saving

- To save energy and improve the efficiency of your equipment please do not open the door any more than is required. When the door is open please ensure that this time is kept to a minimum. Switch the light off when the unit is not in use.
- If you can hear the refrigeration system running please take extra care not to keep the door open any longer than is necessary as this may place undue stress on the system.



8. Cleaning and General Maintenance



Cleaning

- A regular and thorough cleaning regime is essential for the efficient and hygienic operation of your Fridge.
- Before undertaking any cleaning operation, ALWAYS turn the case off and if possible, disconnect it from the mains power supply.
- Avoid water splashing onto the case's electrical elements. If water splashing occurs, make sure that all electrical components are thoroughly dry before reconnecting to the power supply.
- Never use abrasive or caustic cleaning agents.

Exterior/Internal surfaces

- Painted or metal surfaces should be cleaned with a cloth soaked in warm soapy water. Surfaces should be dried with soft cloth. Shelves should be removed for cleaning as above.

Glass and Mirror

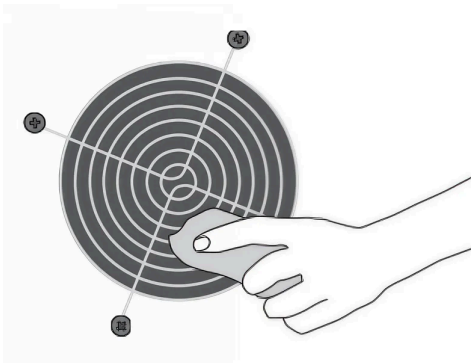
- Glass and mirrored surfaces should be cleaned with a suitable glass cleaner. Glass and mirrored surfaces may be wiped with a soft dry cloth.

Evaporator Fans

- Ensure fans are NOT running when cleaning the fan blade.

Air Cooled Condenser and Cooling Fins

- Carefully vacuum dust and airborne debris from the condenser unit and cooling fins located at the rear of the unit. Exercise care not to damage fins.
- Beware of the sharp fins and take care when cleaning this area.



Condensate Tray

- The self-evaporating water tray which collects defrost water should be cleaned regularly.
- Spilled milk and other dairy products collecting in the condensate tray may lead to odour and should be cleaned immediately.

Water Outlets



-
- Outlets for waste water should be cleaned regularly to ensure continuous flow of waste water.

Maintenance

- The condenser coil located at the rear of the unit should be kept clean and clear for maximum efficiency.

When Loading the Cabinet

- Ensure you do not block the air duct located at the back of the unit and the fan on the roof panel.
- Blocking the airflow from these will cause a decrease in performance.
- For maximum performance maintain at least 50mm of clearance between the contents and the air duct.
- Shelves can be adjusted to suit your needs. Always ensure that they are secure before loading with products. Do not leave the door open for prolonged periods of time. For maximum efficiency close door immediately after use.



Product

1. Electrical

- This equipment works on the standard voltage and frequency for 220–240V/50Hz.
- Always ensure that the unit is grounded before use. Connect this to a safe grounded point, not a water or gas pipe.
- To protect the compressor never restart the equipment within 5 minutes of a power cut.
- Only use a dedicated wall socket for this equipment, do not use extension leads or multi-plug adaptors.
- If the electrical cable becomes damaged please contact a qualified electrician or refrigeration engineer – never attempt to fix it yourself. **NEVER OPERATE THIS PRODUCT WITH A DAMAGED POWER CABLE.**
- Always disconnect the equipment from the mains supply prior to cleaning.

2. Gas

This unit features a fully sealed refrigeration system, however in the unlikely event of a refrigerant leak unplug the unit, do not operate and please call a qualified refrigeration engineer.

3. Storage Restrictions

- This equipment is not designed for the storage of medical products.
- This equipment must not be used for the storage of flammable, combustible or unstable substances such as petrol, acid or any other explosive.

4. Temperature Control

The temperature of your bottle is controlled by an adjustable thermostat located inside the unit. The internal temperature of the equipment can be affected by many different elements, such as room temperature and the frequency at which the door is opened.

The thermostat is already set at the optimum settings based on regular use and we do not recommend that you adjust these settings as it may have an adverse effect on efficiency and performance.



5. Adjusting the Shelves

- This chiller has the facility to adjust the shelves to suit your needs. To do so, follow these instructions.
- Lift and remove the shelf to expose the support clips.
- The support clips can be removed by pressing them together and lifting upwards.
- Replace the clips at the level you require, taking care to ensure that all are level before replacing the shelf.
- **Internal Light:** The internal light can be switched on and off using the power switch inside the unit. Switching off improves performance and efficiency.

6. Defrosting

The unit features automatic defrosting and requires no user input to function.



Troubleshooting

1. Fridge does not run and the light does not work

- Make sure the Fridge is plugged in securely.
- Check for a blown fuse or tripped circuit breaker.
- Inspect the electrical cord for damage.
- Eliminate use of an extension cord, if one is being used.

2. Fridge does not run but the light works

- Make sure there is sufficient ventilation at the rear, sides and top of the Fridge to prevent overheating.
- Clean the condenser at the rear if accessible.
- Check the compressor is running.

3. Fridge light does not work

- Replace Starter.
- Replace the light tube/LED tube.

4. Fridge is not cold enough

- Make sure there is sufficient ventilation at the rear, sides and top of the Fridge to prevent overheating.
- Ensure bottles are not blocking the vents.
- Clean the condenser at the rear if accessible.
- Check door seals are OK.
- Check internal fan is running.

5. Fridge is too cold

Check the temperature setting.



6. Fridge is noisy or makes a strange sound

- Check the evaporator fan is running.
- Check the condenser fan is running if accessible.

7. Water on the floor outside of Fridge

Clean the drainage point inside the Fridge.

8. Water inside the Fridge

Clean the drainage point inside the Fridge.

Warranty Information

1. Warranty Period

- The warranty period for this product will be in accordance with the standard legal warranty applicable in the country of purchase.
- Please keep the original buying receipt in order to qualify for warranty claims.
- For warranty claims or spare parts, please contact: [**customerservice@grrlr.com**](mailto:customerservice@grrlr.com)
- To register your GRLLR product, please go to [**www.grrlr.com**](http://www.grrlr.com)



Instructions by GRLLR Manuals

GRLLR Connect Fridge Manual