



Instructions by GRLLR Manuals

GRLLR Connect Cooling Unit: Assembly & Operation Manual

Step-by-step guide for assembling and operating the GRLLR Connect Cooling Unit. The instructions are organized into logical sections to facilitate the assembly process.

Product Information

GRLLR Connect Cooling Unit



Description

Elevate your outdoor cooking with the GRLLR Connect Cooling Unit, featuring a spacious fridge, 304 stainless steel kitchen top, and compatibility with GRLLR Connect units.

Crafted for durability with heavy-duty casters and a soft close door, it's the perfect addition to your outdoor kitchen setup.

Color/s

Anthracite

Dimensions

80 x 62 x 88.5 cm

Weight

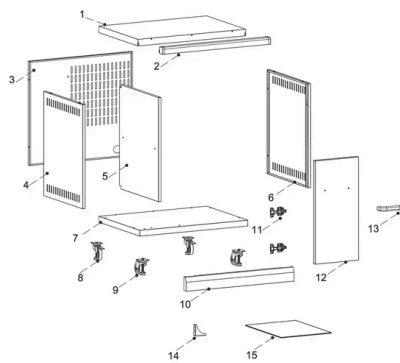
25.5 kg














SKU

GR-24-CON-COU



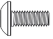


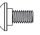


Parts



1	Table Top	1 piece(s)	
2	Front Panel	1 piece(s)	
3	Rear Panel	1 piece(s)	
4	Left Side Panel	1 piece(s)	
5	Middle Panel	1 piece(s)	
6	Right Side Panel	1 piece(s)	
7	Bottom Panel	1 piece(s)	
8	Lock Caster	2 piece(s)	
9	Caster	2 piece(s)	
10	Wheel Cover	1 piece(s)	
11	Door Hinge	2 piece(s)	
12	Door	1 piece(s)	
13	Door Handle	1 piece(s)	



14	Connect Bracket	1 piece(s)	
15	Cooler Pad	1 piece(s)	
16	A - M6×10 Screw	36 piece(s)	
17	B - M5×12 Screw	9 piece(s)	
18	C - M4×12 Screw	12 piece(s)	
19	D - M6×12 Step Screw	2 piece(s)	



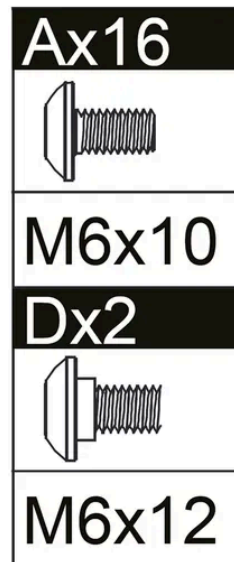
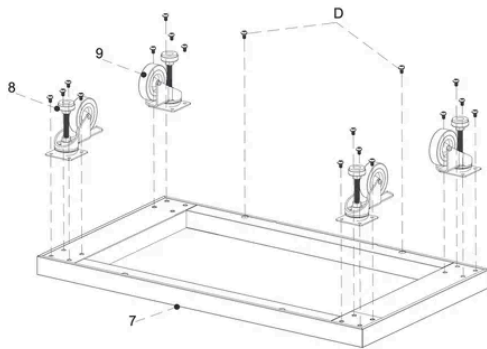
Assembly

1. Attach The Casters

- Place the **Bottom Panel (7)** upside down.
- Attach **2 Lock Casters (8)** and **2 Casters (9)** at the corners.
- Secure with **M6×10 Screws (A)**.
- Tighten both **M6 × 12 Step Screws (D)** into the designated holes.

Parts used:

- Bottom Panel | 7 | 1×
- Lock Caster | 8 | 2×
- Caster | 9 | 2×
- M6×10 Screw | A | 16×
- M6×12 Step Screw | D | 2×

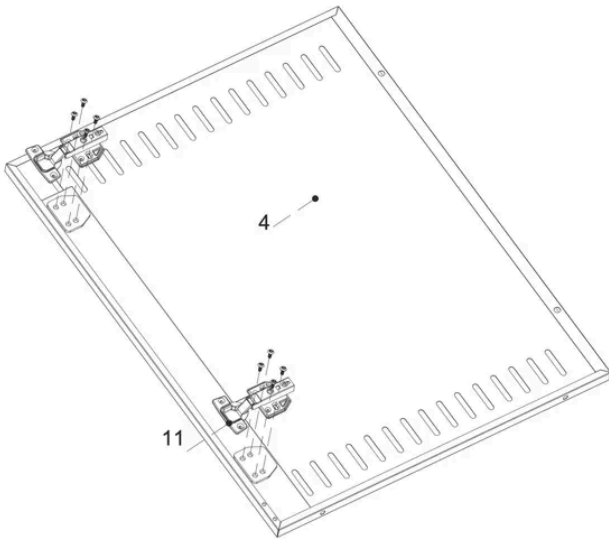


2. Attach Door Hinges To Left Side Panel

- Position the **Door Hinges (11)** on the **Left Side Panel (4)**.
- Secure them with **M4×12 Screws (C)**.

Parts used:

- Left Side Panel | 4 | 1×
- Door Hinge | 11 | 2×
- M4×12 Screw | C | 8×

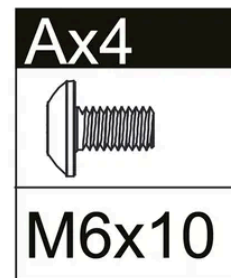
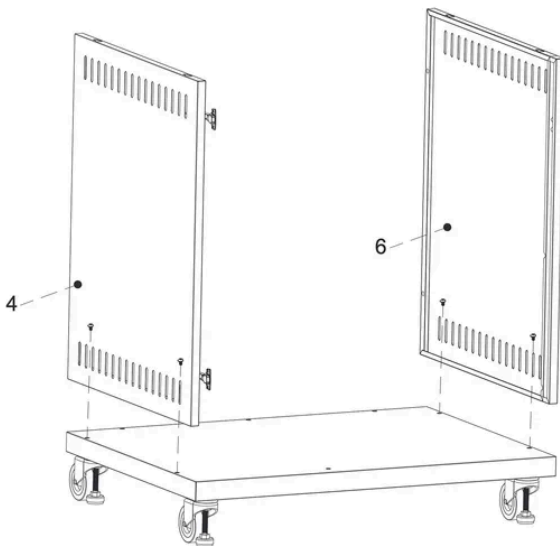


3. Install Left And Right Side Panels

- Attach the **Left Side Panel (4)** and **Right Side Panel (6)** vertically onto the **Bottom Panel (7)**.
- Secure both panels with **M6×10 Screws (A)**.

Parts used:

- Left Side Panel | 4 | 1×
- Right Side Panel | 6 | 1×
- M6×10 Screw | A | 4×

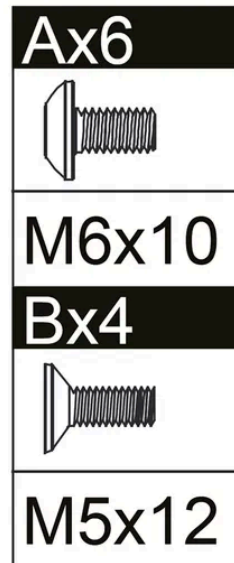
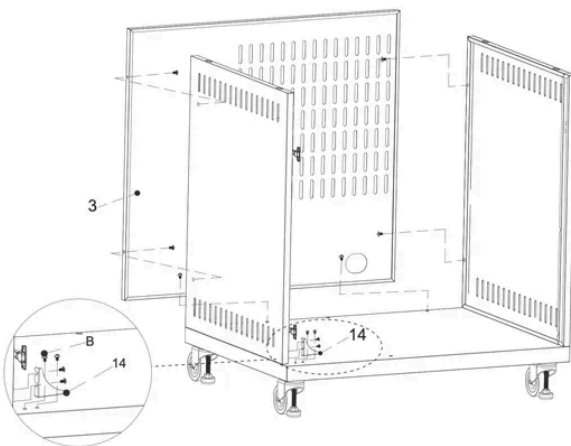


4. Install Rear Panel

- Position the **Rear Panel (3)** between the left and right side panels.
- Secure the panel with **M6×10 Screws (A)**.
- Attach the **Connect Bracket (14)** to the bottom left corner at the front of the unit using **M5 × 12 Screws (B)**.

Parts used:

- Rear Panel | 3 | 1×
- Connect Bracket | 14 | 1×
- M6×10 Screw | A | 6×
- M5×12 Screw | B | 4×

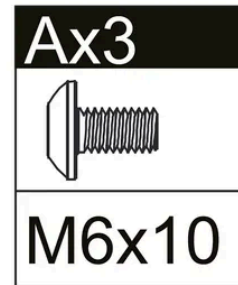
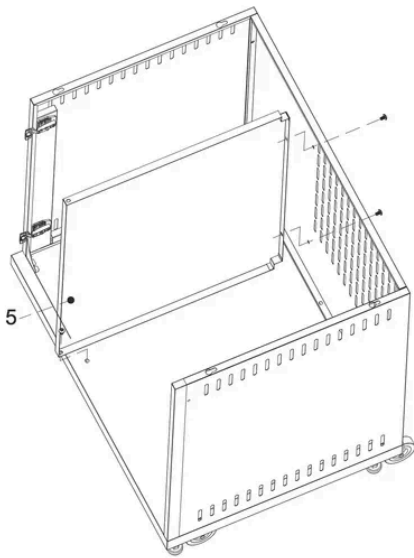


5. Install Middle Panel

- Place the **Middle Panel (5)** vertically between the side panels.
- Secure it to the **Bottom Panel (7)** and the **Rear Panel (3)** using **M6×10 Screws (A)**.

Parts used:

- Middle Panel | 5 | 1×
- M6×10 Screw | A | 3×



6. Assemble Front Panel

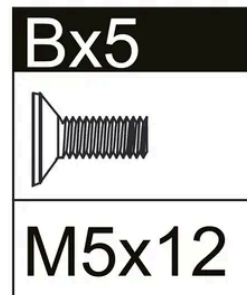
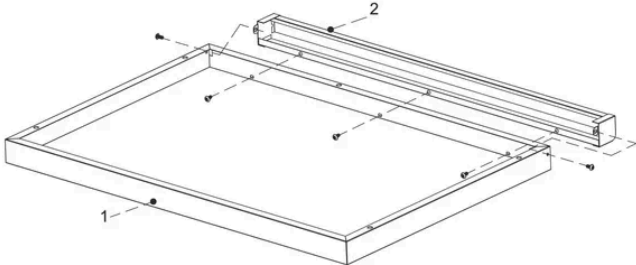
- Position the **Front Panel (2)** against the **Table Top (1)**.
- Fix it in place with **M5×12 Screws (B)**.

Note!

If you have purchased one of our different countertop options, at this step, please use the preferred top, instead of the standard model included in the original packaging.

Parts used:

- Table Top | 1 | 1×
- Front Panel | 2 | 1×
- M5×12 Screw | B | 5×

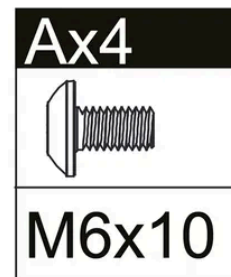
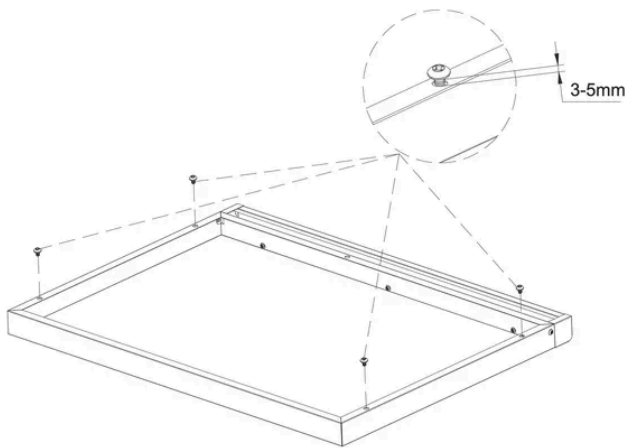


7. Attach Table Top Assembly

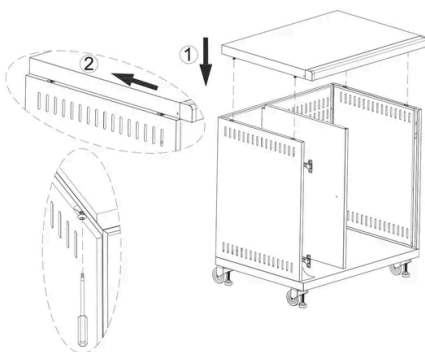
- Insert the **M6 × 10 Screws (A)** into the designated holes, leaving a 3–5 mm gap as shown.

Parts used:

- Table Top Assembly | 1 | 1×
- M6×10 Screw | A | 4×



8. Secure Table Top



- Place the **Table Top Assembly (1)** onto the frame, aligning it with the **Side Panels (4, 6)**.
- Slide the top assembly **backwards** until it locks into position as shown.

Parts used:

- Table Top Assembly | 1 | 1×

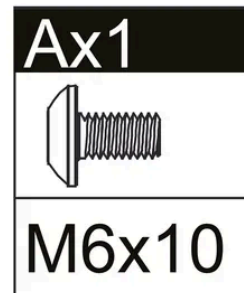
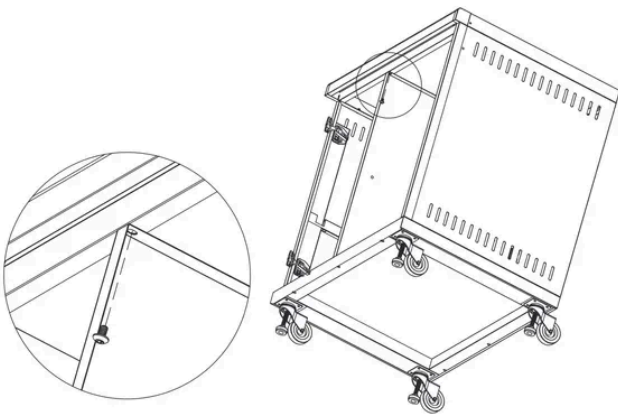


9. Secure Connect Bracket

- Secure the **Middle Panel (5)** with a **M6×10 Screw (A)** to fix it firmly.

Parts used:

- M6×10 Screw | A | 1×

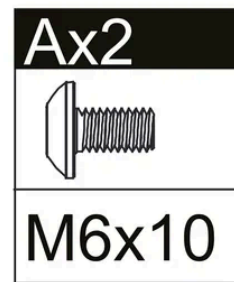
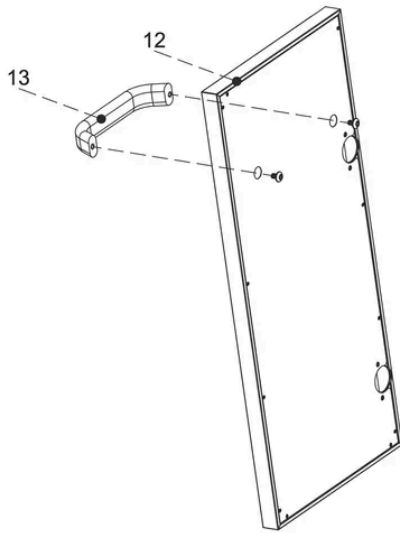


10. Install Door Handle

- Position the **Door Handle (13)** onto the **Door (12)**.
- Secure it using **M6×10 Screws (A)**.

Parts used:

- Door | 12 | 1×
- Door Handle | 13 | 1×
- M6×10 Screw | A | 2×

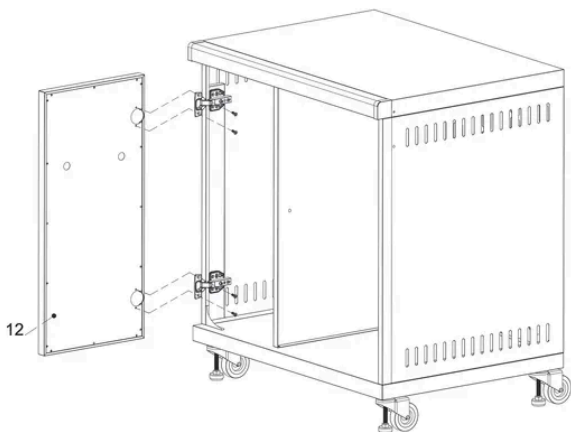


11. Mount Door

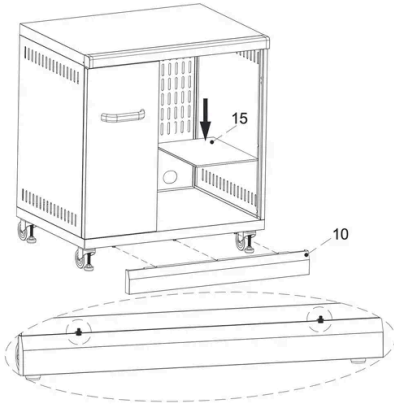
- Align the **Door (12)** with the cabinet frame.
- Attach it using the **Door Hinges (11)**.
- Secure the hinges with **M4×12 Screws (C)**.

Parts used:

- Door | 12 | 1×
- Door Hinge | 11 | 2×
- M4×12 Screws | C | 4×



12. Insert Cooler Pad and Wheel Cover



- Place the **Cooler Pad (15)** inside the cabinet base.
- Position the **Wheel Cover (10)** along the front bottom edge of the unit, covering the casters.
- Align the screw holes and lock into position using **M6 × 12 Step Screws (D)** from underneath.

Note!

The plinth / wheel cover (10) should only be attached if the unit will remain stationary.

Parts used:

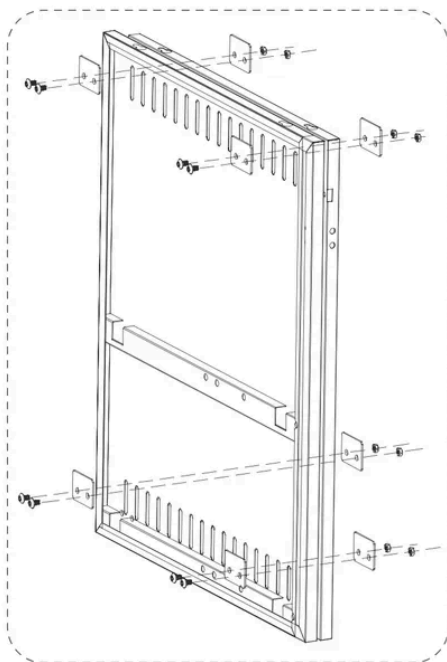
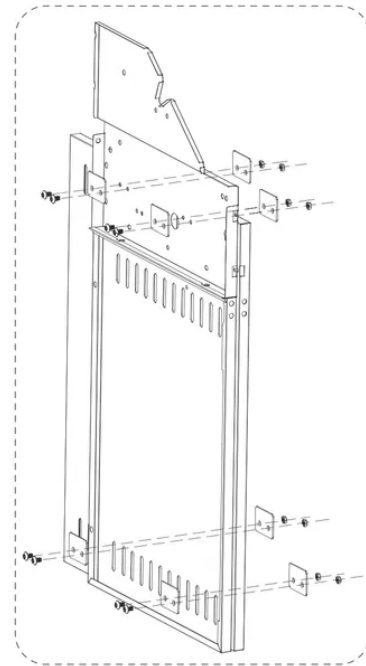
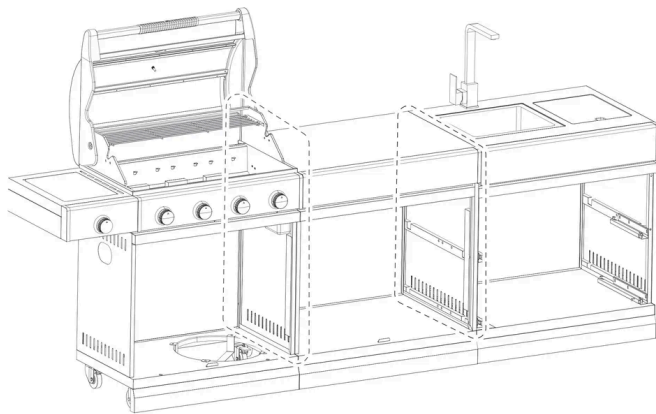
- Cooler Pad | 15 | 1×
- Wheel Cover | 10 | 1×



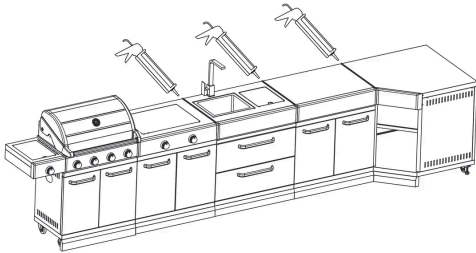
Connecting the Units

1. Connecting the Units

- Align the rear panel between the left and right side panels.
- Secure it using M5×12 screws to attach the connect bracket, ensuring stability and proper alignment with the rest of the structure.



2. After connecting



We strongly recommend sealing the joints between the units along the top edge of the kitchen tops, as well as between every kitchen top and the fascia, with an appropriate outdoor sealant to prevent water ingress.



Maintenance

1. Preventing Rust

Rust is a chemical process in which iron oxidizes and begins to flake away the metal. This is caused by water that soaks into the metal or comes in contact with the metal frequently over time. As an outdoor appliance made of steel, some surface rust should be expected from time to time. Keeping your grill under cover, clean and dry, goes a long way toward preventing rust from occurring. Some tips are:

1. Ensure cooking surfaces (including flame tamer) are kept clean and dry after cooking, particularly after cooking with marinades. The cooking surface should be rubbed with oil after use.
2. Do not leave the grill out in the rain.
3. Do not store the grill when it is wet. Dry thoroughly first.
4. During both summer and winter, periodically remove the cover to enable the grill to air out, and get rid of any built-up condensation.
5. Light surface rust can be easily removed with a rag, soaked in white vinegar, or using a commercial rust remover. Dry the affected area and apply a coating of rust-preventing fluid, available at most auto stores.
6. Chipped enamel can be treated with touch-up paint to cover the bare metal surface.



2. Maintaining Powder-Coated Steel

Frequency: Clean every 3-6 months or more often if the item is exposed to harsh environments (e.g., coastal areas, high pollution).

Method:

- Use a soft cloth or sponge with warm water and mild detergent.
- Avoid abrasive cleaning tools like steel wool or scouring pads that can scratch the surface.
- Use minor clean water to remove any residue.
- Dry with a soft cloth to prevent water spots or streaks.

2. Avoid Harsh Chemicals

- Do not use solvents, strong alkaline cleaners (e.g., ammonia), or acidic products, as these can damage the powder coating.
- Stick to pH-neutral or slightly alkaline cleaning solutions.

3. Protect Against Scratches

- Use care when handling or storing powder-coated items to avoid scratching the surface.
- If scratches occur, touch them up promptly with a matching paint or protective coating to prevent rust or further damage.

4. Protect from Harsh Conditions

If the powder-coated steel is outdoors:

- Use a silicone-based wax, car wax, or a clear protective sealant specifically formulated for powder-coated surfaces.
- This adds a water-repellent layer, reducing the chance of water penetration and rust formation.
- Reapply every 6–12 months for outdoor items.

5. Inspect Regularly

- Check for chips, cracks, or peeling in the powder coating.
- Address any damage promptly to prevent rusting or corrosion underneath the coating.

6. Lubricate Moving Parts (if applicable)

- For items like hinges or joints, use a silicone-based lubricant to keep them functional and protect against corrosion.

7. Ensure Proper Drainage and Ventilation

- **Avoid water pooling:** Design or place powder-coated items in a way that prevents water from accumulating, such as tilting outdoor furniture slightly for runoff.
- **Ventilation:** Ensure proper airflow around the item to allow quick drying after exposure to rain or cleaning.



8. Apply a Protective Coating:

Products like silicone-based sprays or car wax can repel water and add a shiny finish.

3. Preventing Rust on Stainless Steel

1. Regular Cleaning

Frequency: Clean every 3-6 months or more often if the item is exposed to harsh environments (e.g., coastal areas, high pollution).

Remove Contaminants: Clean stainless steel regularly to remove dirt, salt, grease, or other debris that can lead to rust.

- Use warm water and a mild detergent with a soft cloth or sponge.
- Rinse thoroughly with clean water and dry with a microfiber cloth to prevent water spots.

Avoid prolonged exposure to saltwater or chloride-based cleaners, as these can corrode stainless steel.

2. Protect the Surface

Apply a Protective Coating: Use a stainless steel polish, wax, or clear protective coating to create a barrier against moisture and contaminants.

Use Passivation Treatments: For higher corrosion resistance, apply a passivating agent (available commercially) to remove iron contaminants and reinforce the chromium oxide layer.

Storage

1. Storage

Check these instructions if you stop using the for a longer time or you wish to put the unit into storage for the winter, for example. Proper storage prolongs the unit service life and keeps it operational for many years.

- Clean inner and outer metal surface.
- Keep the all parts in dry.
- These parts need to be stored in a dry and warm space. It is also recommended that use a cover to protect the unit.



Warranty

1. Warranty

Company Address

The GRLLR Company B.V.
Leeststraat 43 A
4813 BC Breda
The Netherlands

Conditions of Warranty

- This limited warranty applies only to products registered within 30 days of purchase according to instructions in the manual.
- Proof of purchase date according to buying receipt.
- The GRLLR manual must be kept, in order to refer back to it.
- Products must be assembled, used and maintained according to the manuals.
- Any alteration, reparation or adjustment of the original product parts will cancel the validity of this warranty.

1. Coverage

GRLLR warrants this Connect Unit to be free from defects in material and workmanship from the date of purchase by the original consumer purchaser. This warranty is limited to the following components:

- Cast Iron parts have a warranty period of 5 years - no rust through or burn through
- All stainless steel parts have a warranty of 10 years from the date of purchase.
- Kamado worktop has a warranty of 2 years, provided adequate maintenance with seasonal oil.
- Water drainage accessories and tap have a warranty of 2 years from the time of purchase.
- All other parts are covered for 5 years from the date of purchase.

Please note: Surface rust is normal and can be cleaned easily. If not maintained properly as indicated in the manual, it can become a bigger issue. Please follow the instructions for optimal usability and durability.

2. What Is Not Covered

This limited warranty does not cover the following

- Normal wear and tear.
- Damage caused by improper assembly, installation, use or maintenance.
- Commercial use of this product.



- Any modifications or alterations made to the appliance.
- Damage caused by accidents, misuse, abuse, or neglect. • Surface corrosion, discoloration, or rust.

Excluded from this warranty are the following:

- Removal or re-installation expenses. This warranty does not cover transit or in-home service costs.
- We do not assume responsibility for any loss or damage that occurs during transportation.
- This warranty does not apply to instances of inadequate maintenance, abuse, neglect, misuse, accidental or improper installation of the appliance.
- Any cosmetic imperfections, including scratches, dents, corrosion, or discoloration due to heat, abrasive chemical cleaners, or chipping of porcelain enamel components, as long as they do not impair the functionality of the appliance.
- Costs related to cleaning and normal wear and tear will be subject to service charges.
- Corrosion or damage resulting from exposure to elements such as insects, weather, hail, grease and fat fires, abrasive chemicals, food acids, and juices are not covered.
- Commercial use of this appliance is not included in the warranty.
- Unauthorised repairs or alterations during the warranty period are not eligible for coverage.
- Surface rust is not considered an eligible warranty claim.

3. Exclusive Remedy

In the event of a covered defect, GRLLR will, at its option, repair or replace the defective part or product. The cost of labor for removal or installation of the replacement part is not covered.

4. How to Obtain Service

If you believe that your GRLLR product is defective and covered under this warranty, please contact our Customer Service Department at the contact information provided above.

5. Limitation of Liability

To the extent permitted by applicable law, GRLLR's liability under this warranty is limited to the repair or replacement of defective parts or products, as specified in section 3 above. GRLLR shall not be liable for any other damages, including but not limited to incidental, consequential, or punitive damages.

6. Governing Law

This warranty shall be governed by and interpreted in accordance with the laws of the country or jurisdiction where the product was purchased.

7. Non-Transferable



This warranty is valid only for the original consumer purchaser and is not transferable to subsequent owners.

8. Other Conditions

- Set-up and installation of all GRLLR products must conform with the manual, as well as with the applicable Gas, Electrical and Building standards as laid down by the local laws and codes in your country, state or region.
- Do not place any GRLLR BBQ, Oven or Stove directly on/near a combustible surface, such as tables, carpets, wooden floors or other combustible materials. You must use a refractory barrier with adequate thickness as a protective base, such as concrete tiles between the GRLLR product and a combustible surface. Improper use of GRLLR products or misplacement of any GRLLR BBQ, Oven or Stove will cancel any warranty validity and dis-claims all liability for direct, indirect or incidental damages.
- This warranty has been translated from English to several other languages. We do not cover claims that result from a mistranslation or a poor interpretation of context. At the GRLLR Company, we always strive to help our clients and partners as well as we can. Disagreements will always refer to the English or Dutch warranties to rule out contextual mistranslations.

For warranty claims or spare parts, please contact: customerservice@grllr.com

To register your GRLLR product, please go to www.grllr.com



Instructions by GRLLR Manuals

GRLLR Connect Cooling Unit: Assembly & Operation Manual