

90531

ASSEMBLY INSTRUCTIONS FOR CORNER TABLE

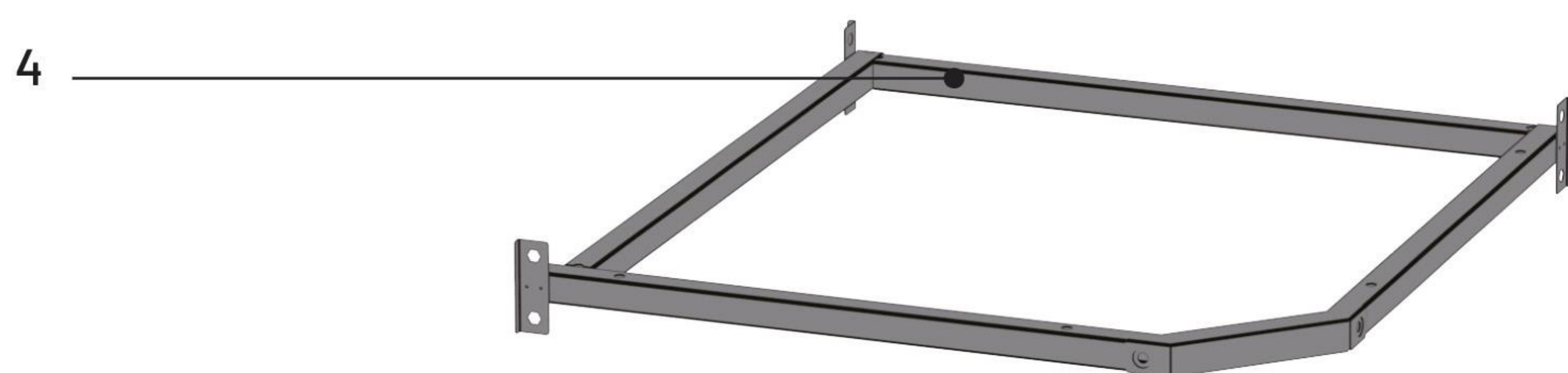
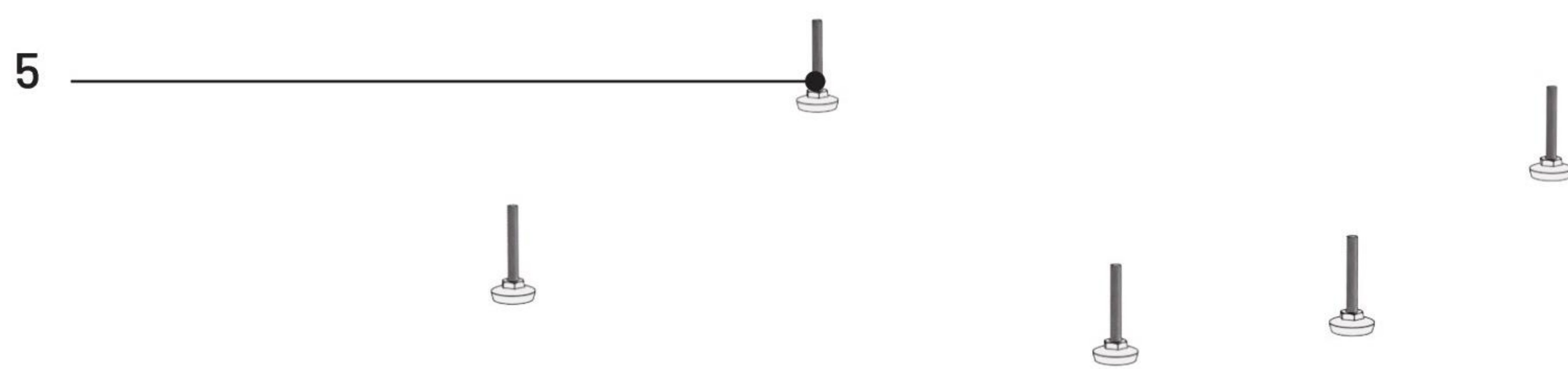
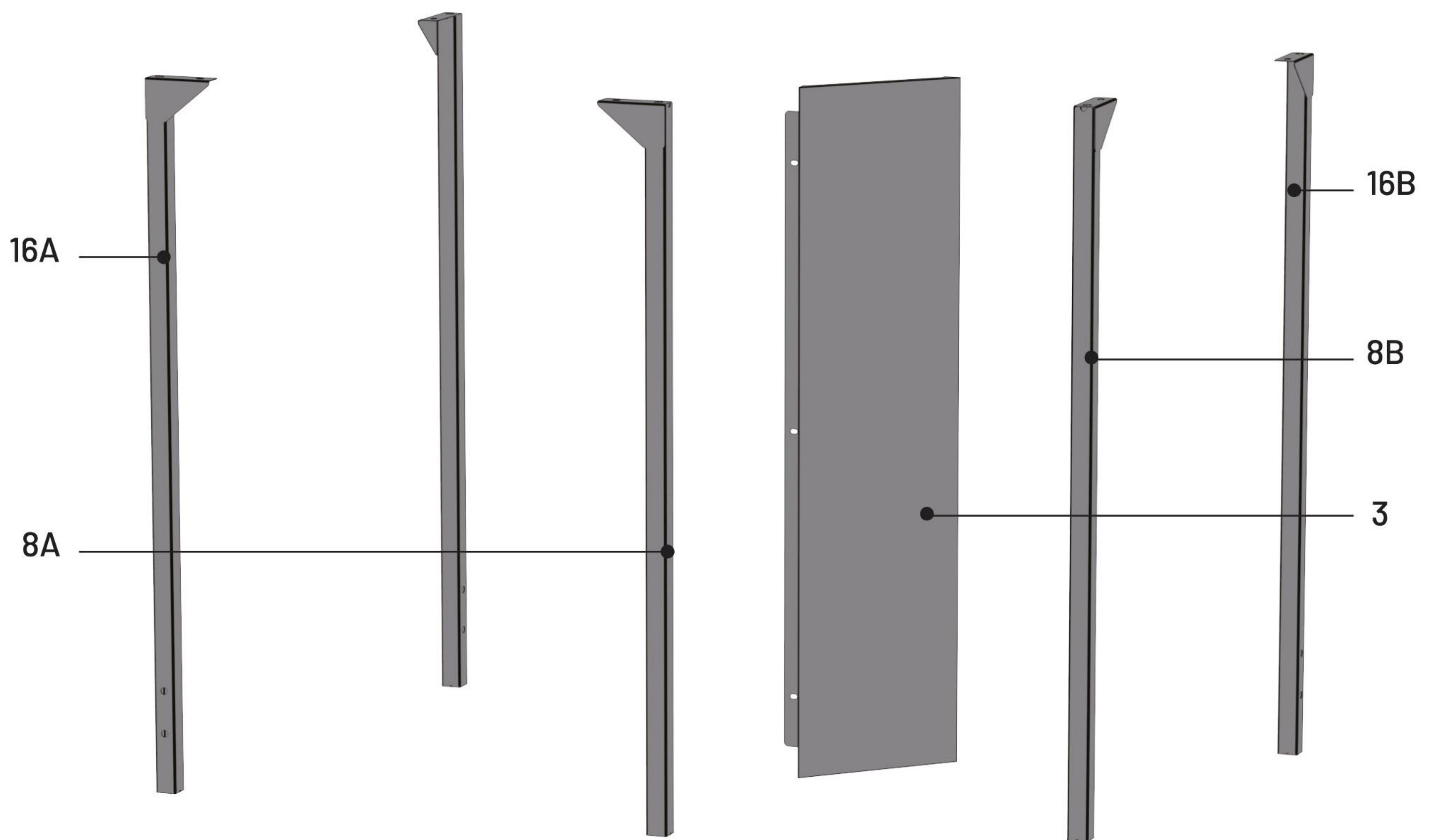
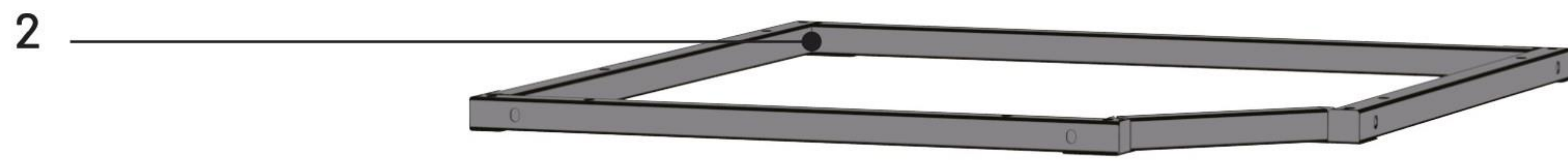
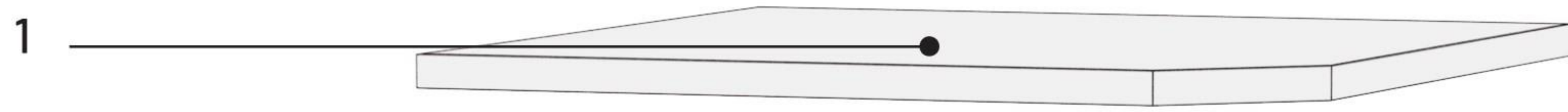
DESIGN YOUR DREAM WITH
COZZE

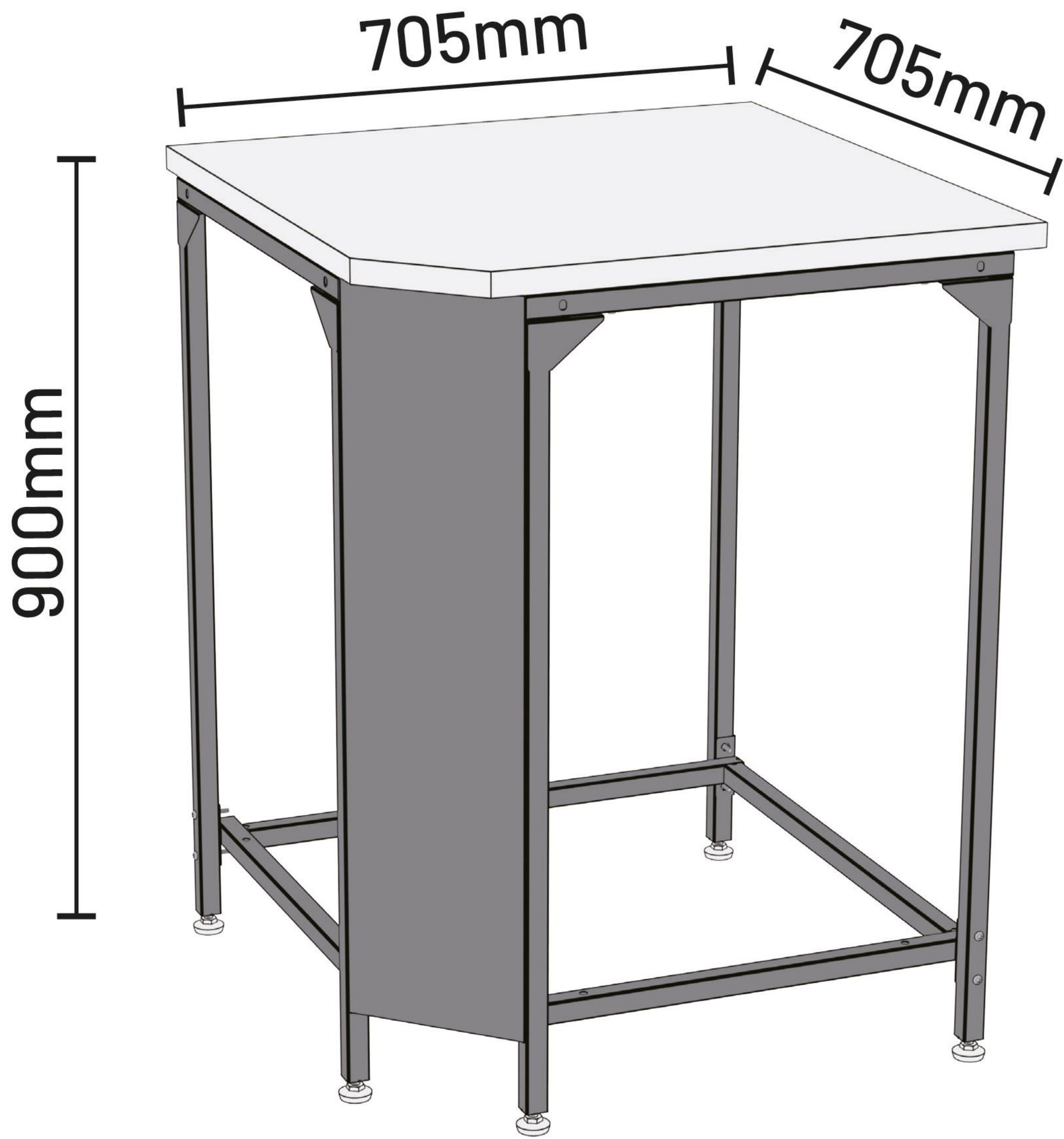


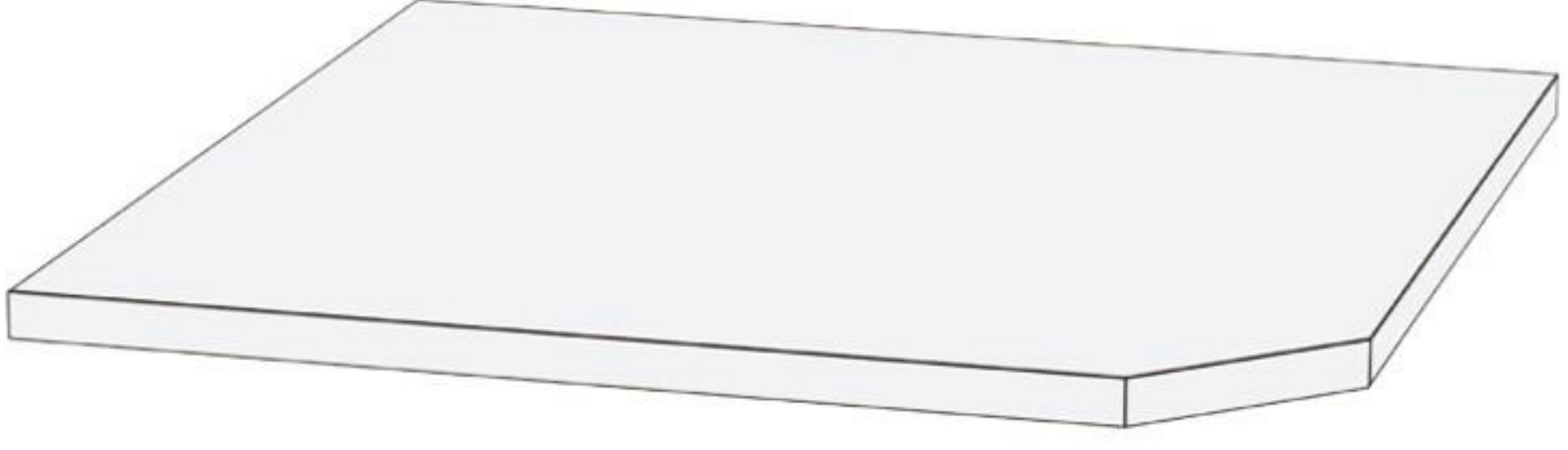
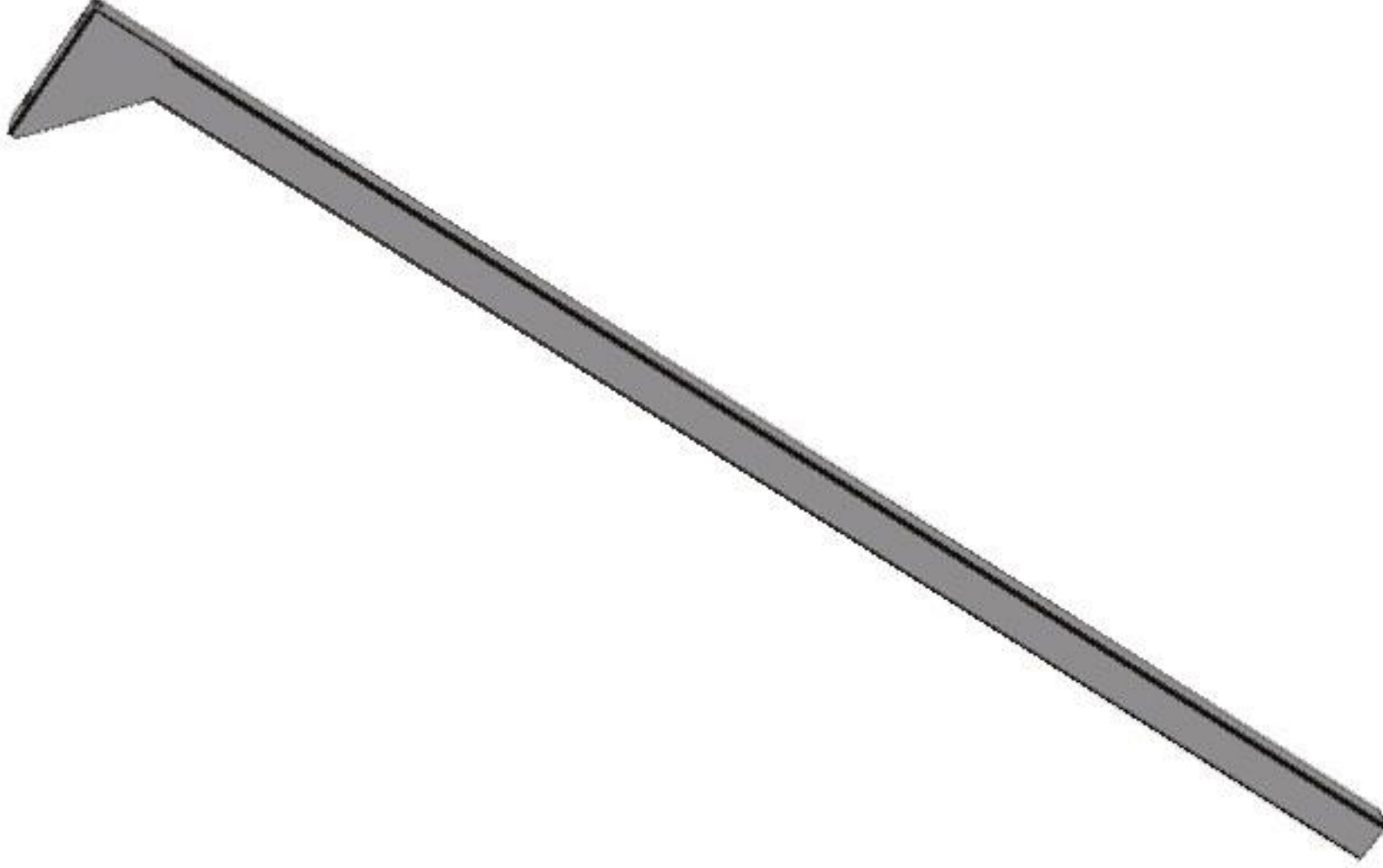


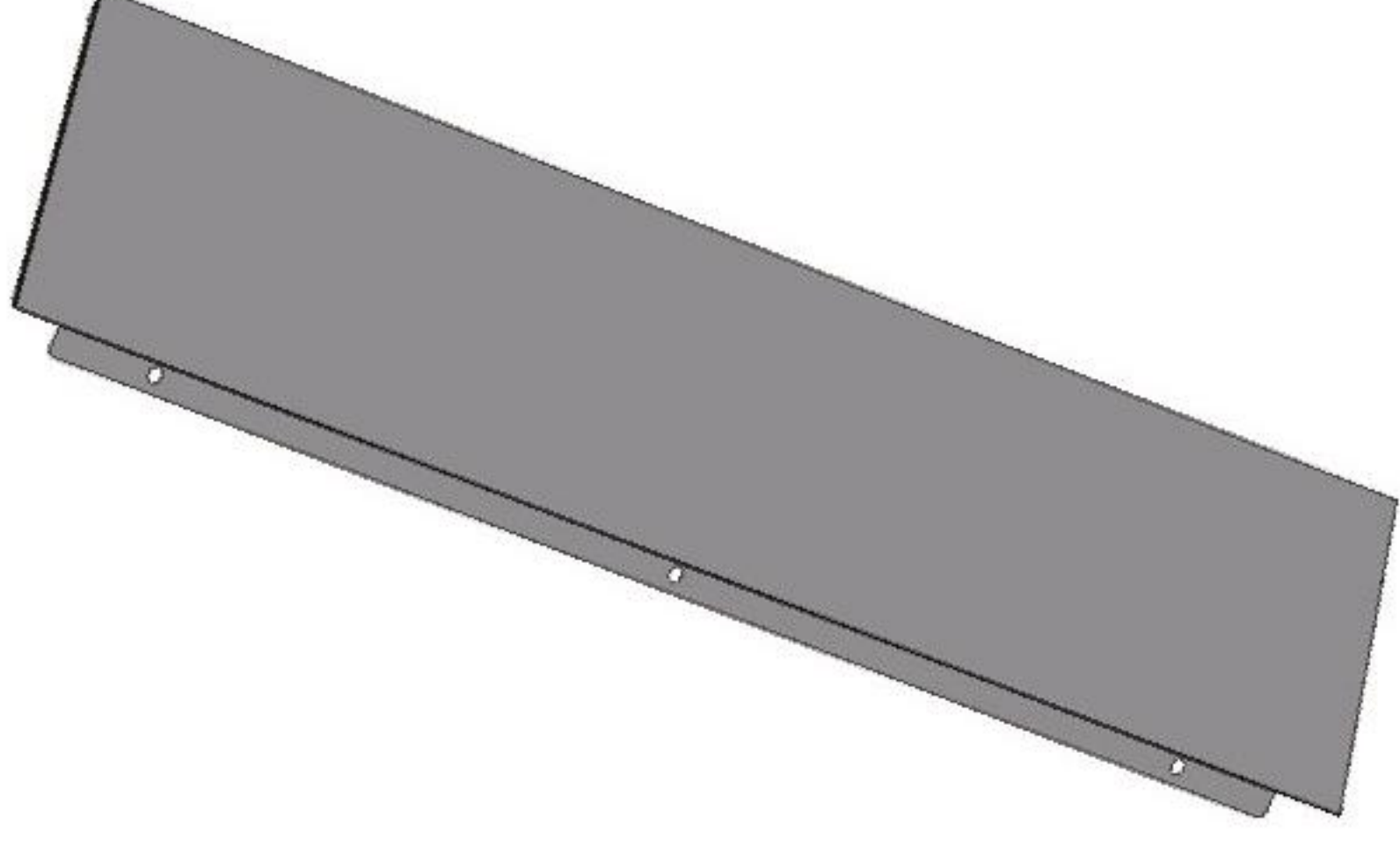

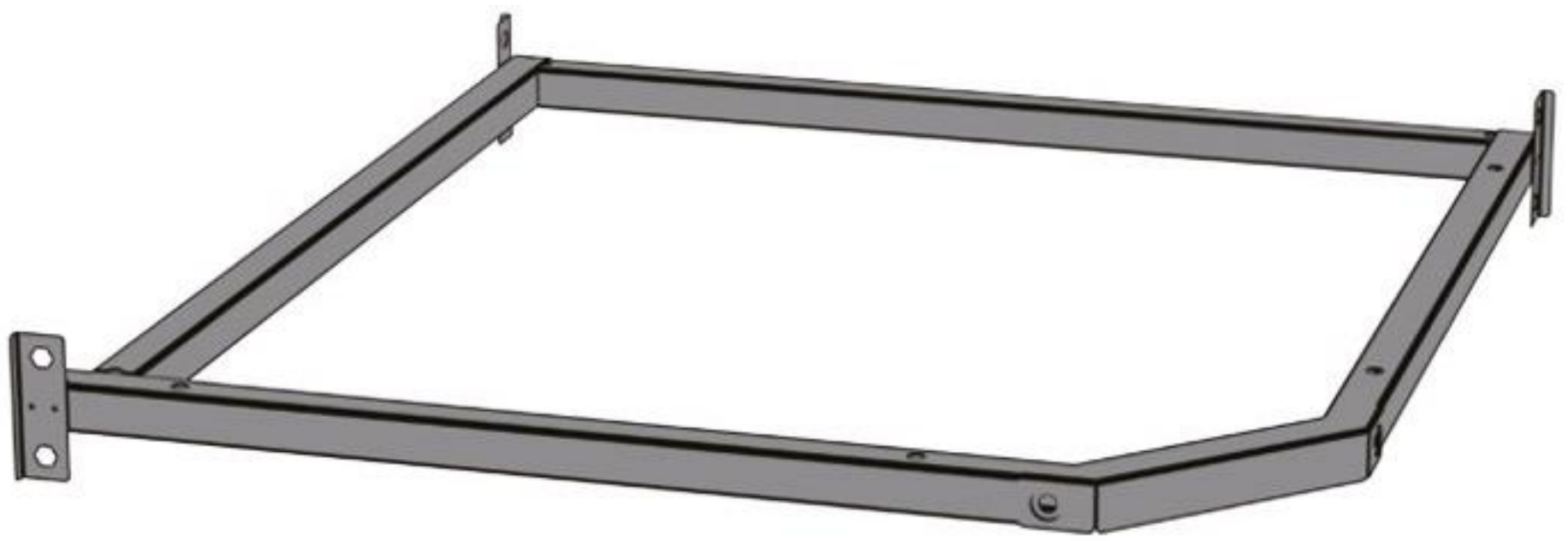


FIND A VIDEO ON
HOW TO ASSEMBLE THE TABLE
AT [COZZEBBQ.COM/ASSEMBLY](https://cozzebbq.com/assembly)



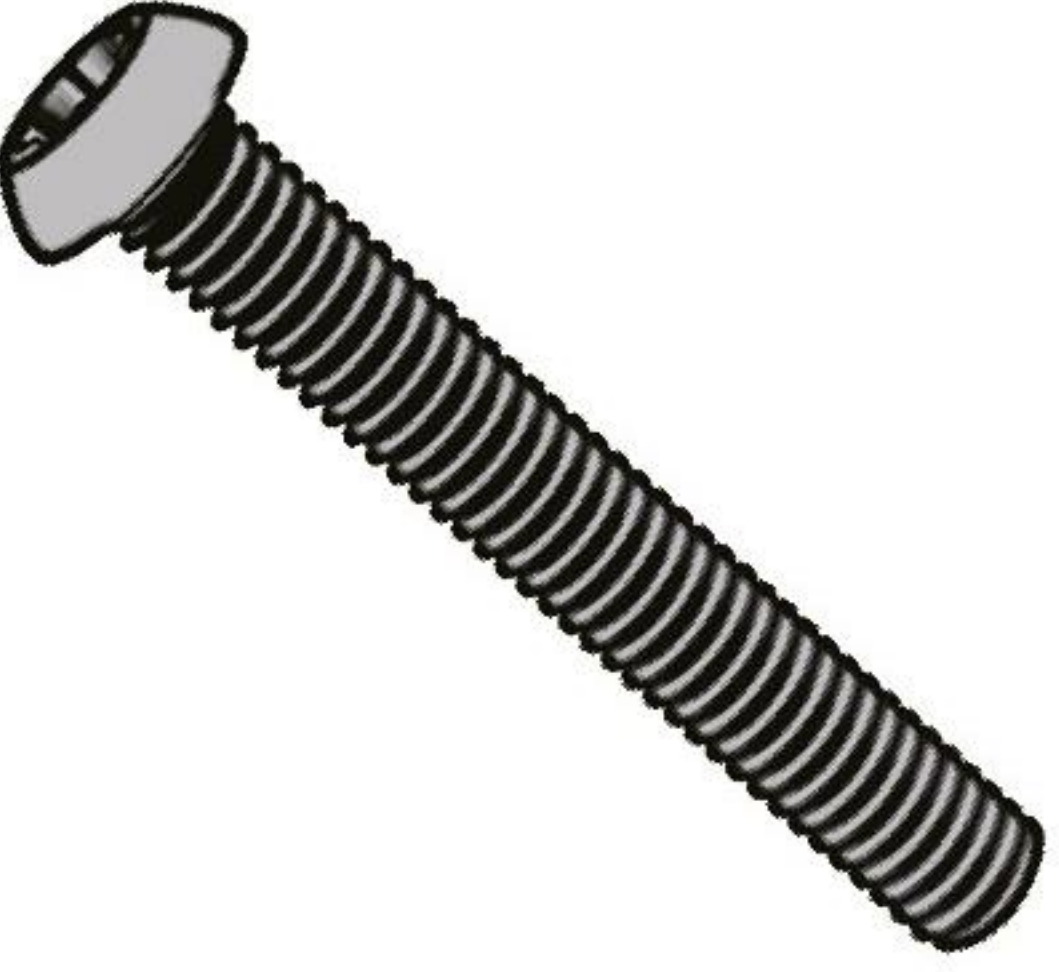


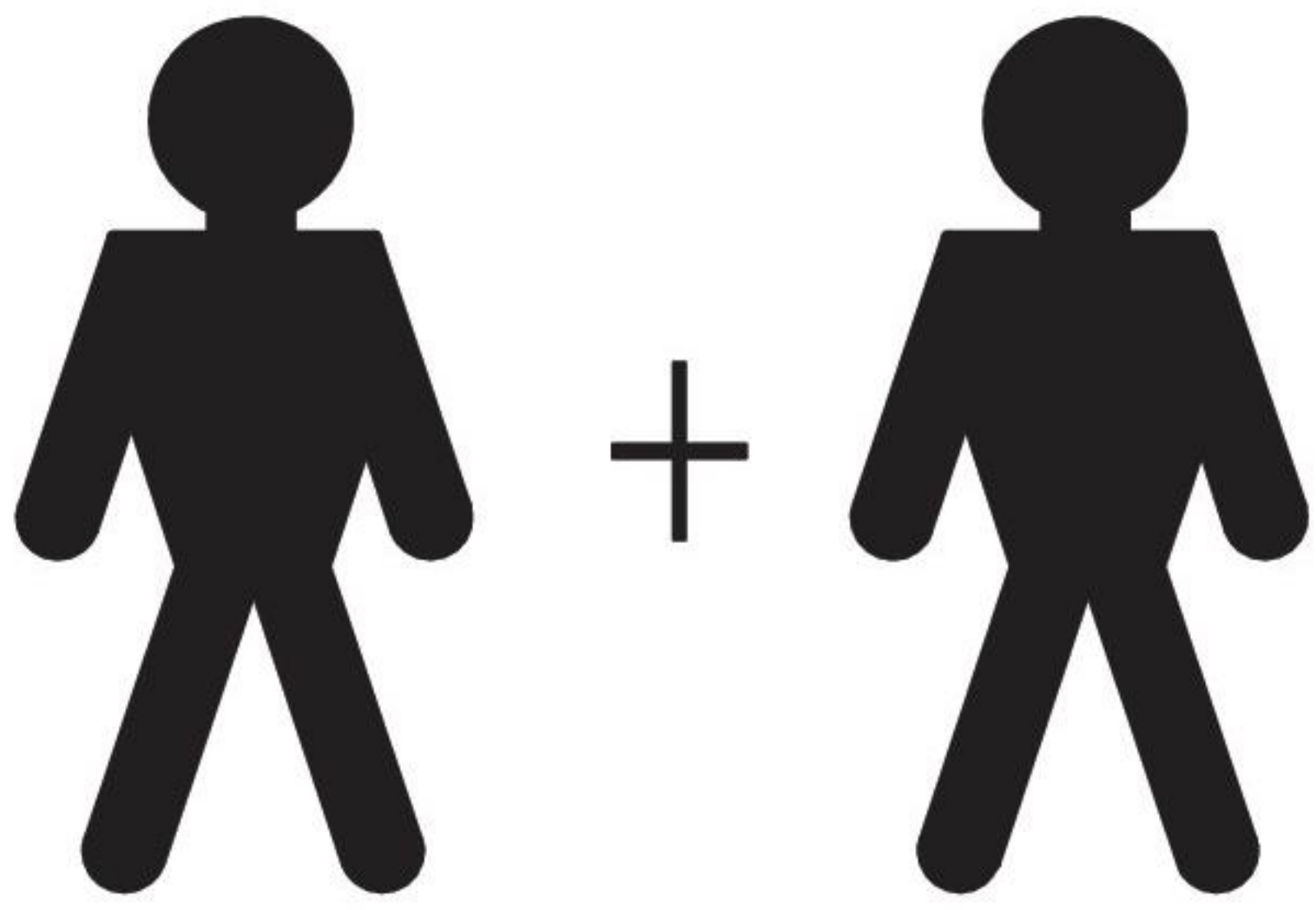
cozze®




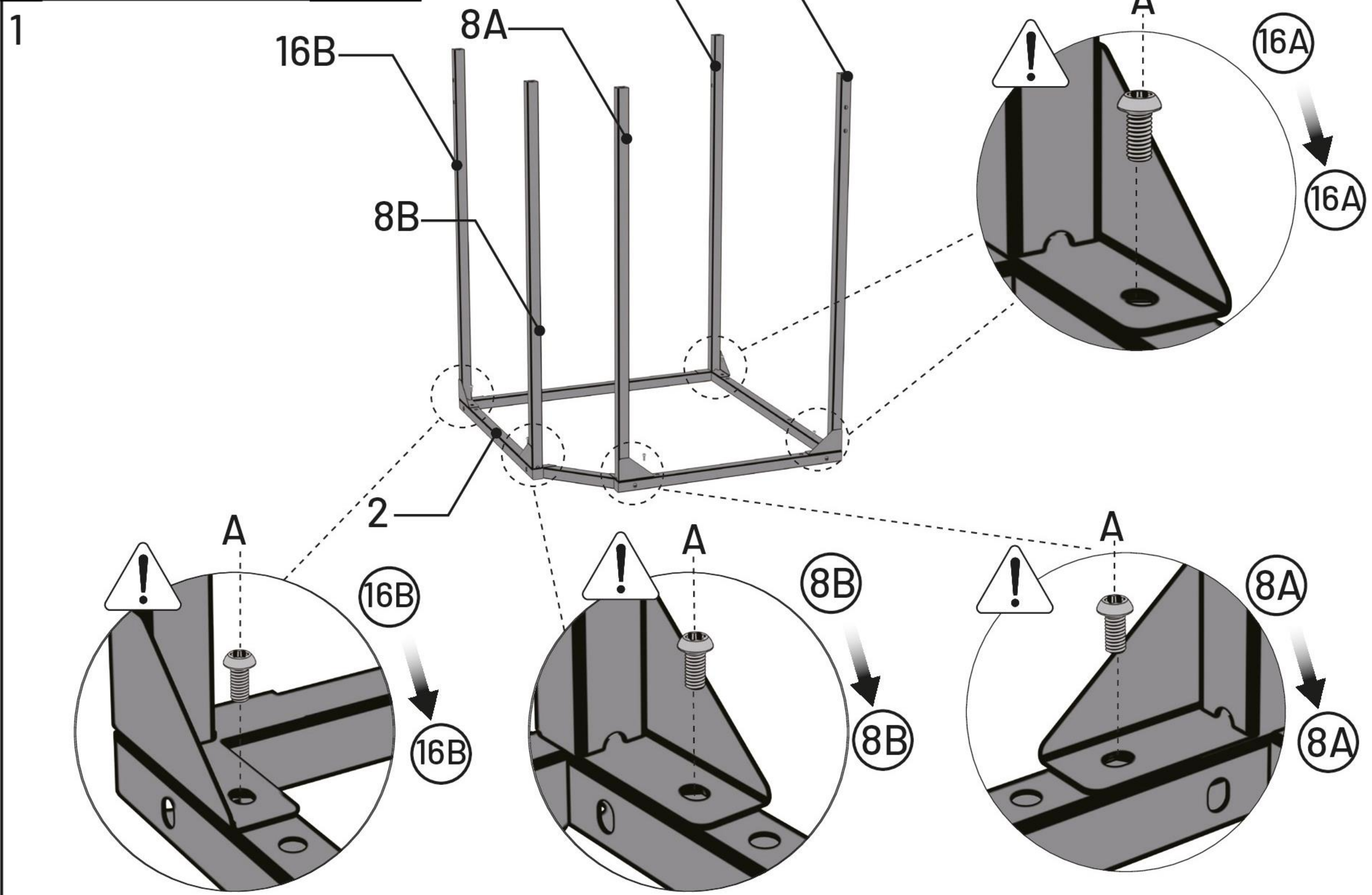



1		1pc.	8A		1pc.
2		1pc.	8B		1pc.
3		1pc.	16A		2pcs.
4		1pc.	16B		1pc.
5		5pcs.			

A	M6X12 	5pcs.	C	ST4.2X10 	6pcs.
B	M6X40 	17pcs.			




A	 M6X12	5pcs.
---	-----------------------------------------------------------------------------------------	-------

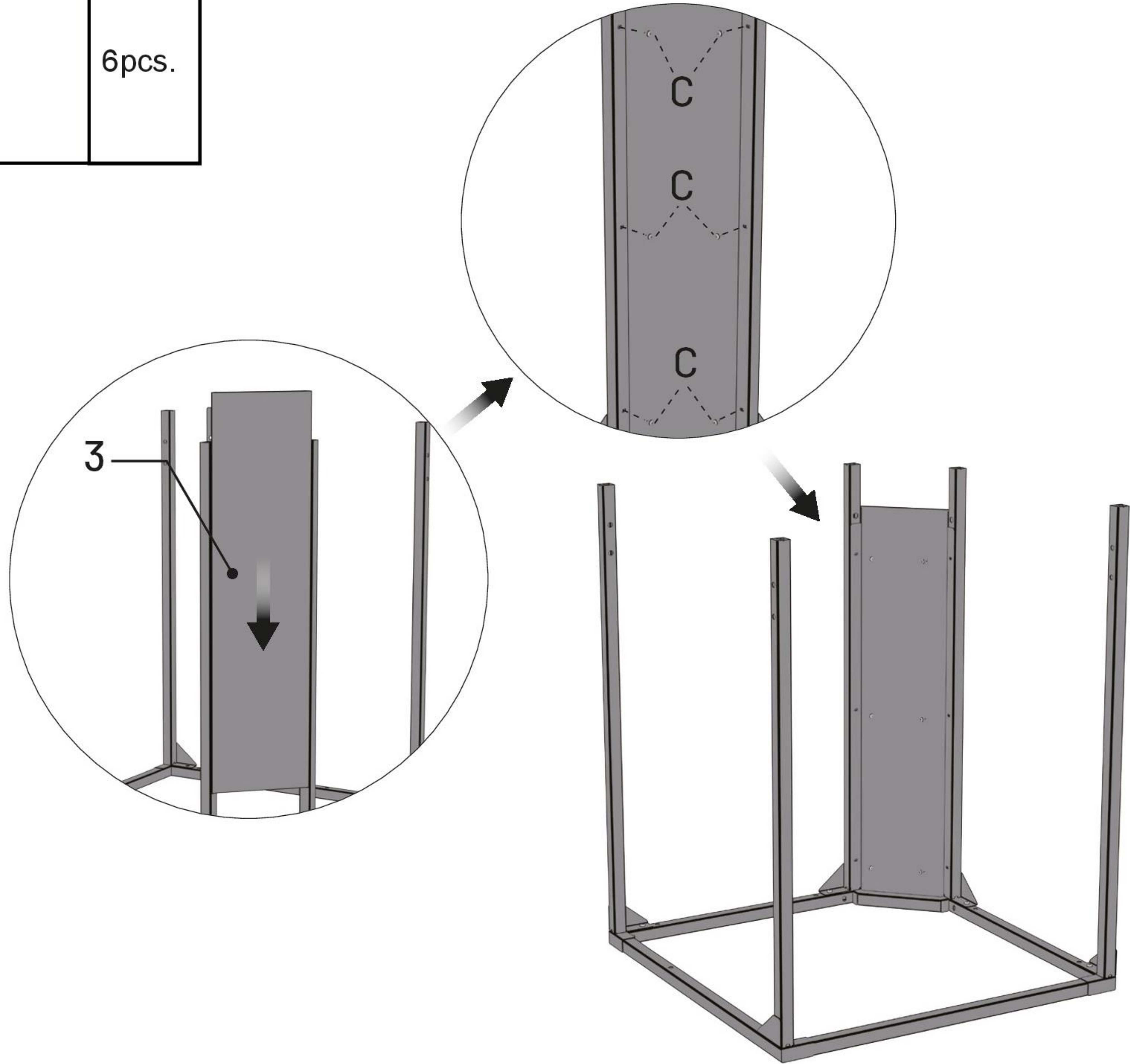



B	 M6X40	5pcs.
---	-------------------------------------------------------------------------------------------	-------



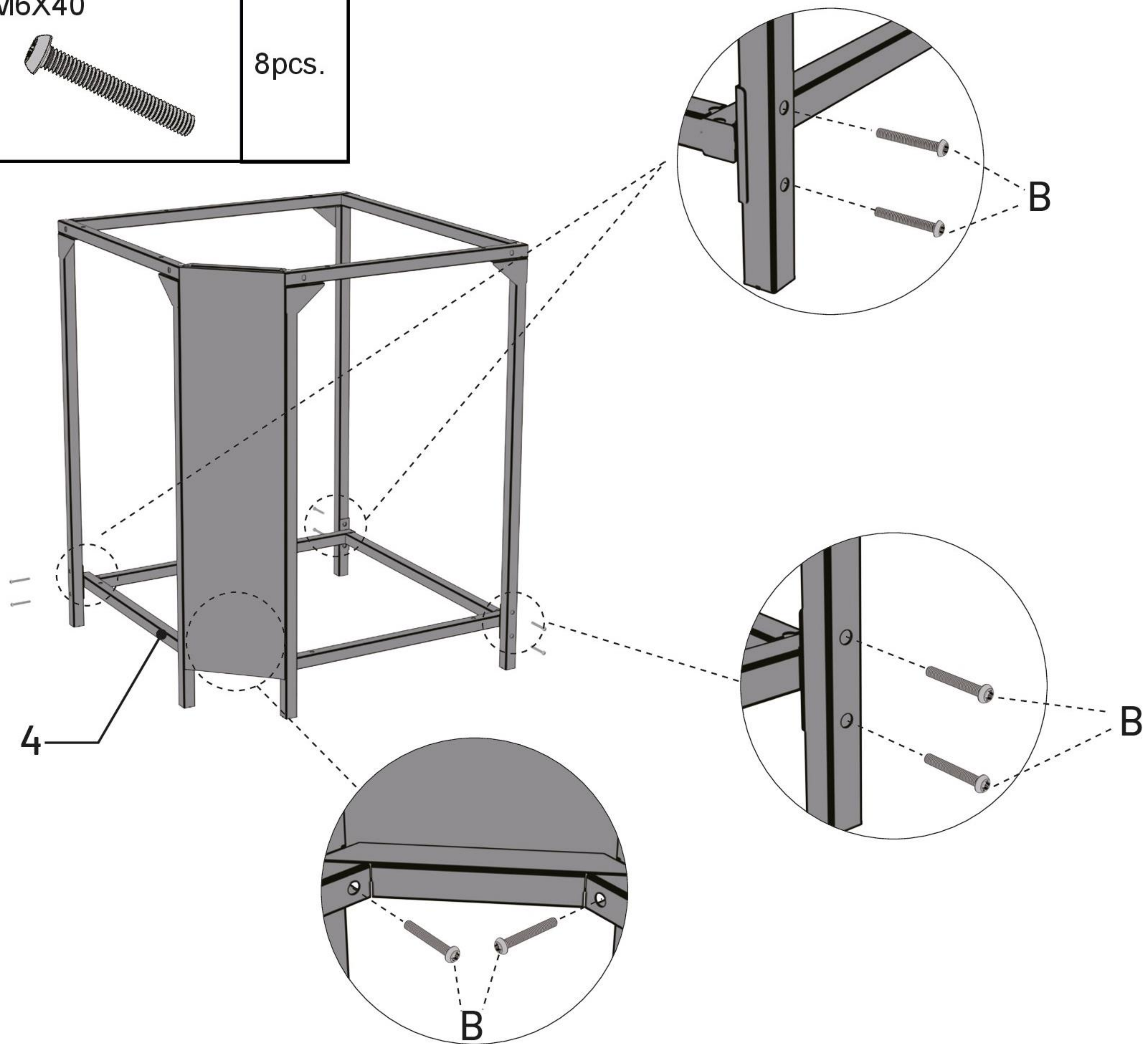
C	ST4.2X10 	6 pcs.
---	-----------------------------------------------------------------------------------------------	--------

3

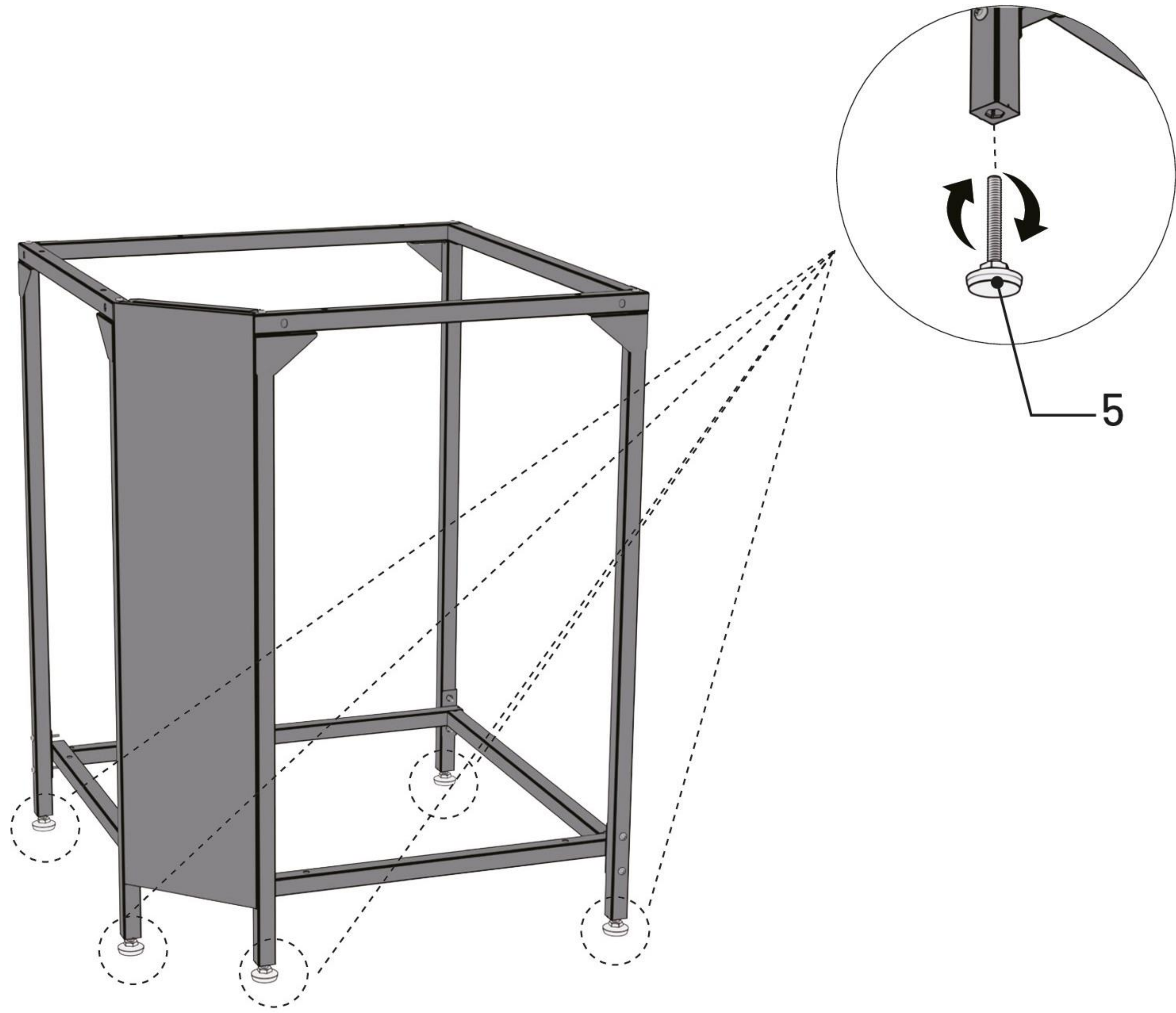



B	M6X40 	8 pcs.
---	----------------------------------------------------------------------------------------------	--------

4

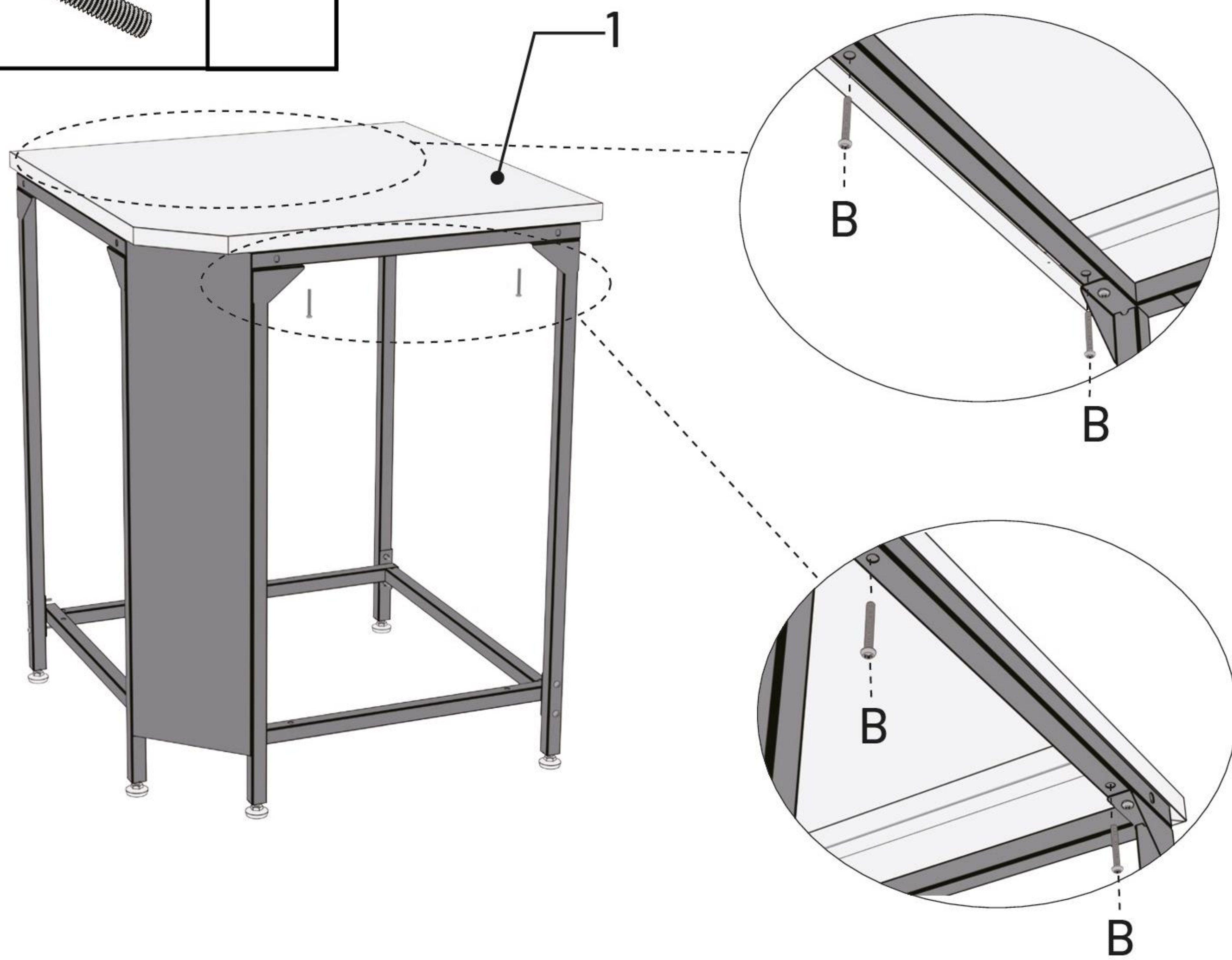


5



	M6X40	
B		4pcs.

6



7



OK



FIND A VIDEO ON HOW TO
ASSEMBLE YOUR NEW COZZE TABLE AT
[COZZEBBQ.COM/ASSEMBLY](https://cozzebbq.com/assembly):



Manufactured by
Millarco International A/S
Rokhoj 26, 8520 Lystrup - Denmark
millarco.com
cozzebbq.com

cozze®