

90529

ASSEMBLY INSTRUCTIONS FOR OUTDOOR KITCHEN 90



FIND A VIDEO ON HOW TO
ASSEMBLE THE OUTDOOR KITCHEN AT
COZZEBBQ.COM/ASSEMBLY



cozze®



WARNING! THE FAUCET IS ONLY FOR COLD WATER AND IS NOT APPROVED FOR DRINKING WATER.



ACHTUNG! DER WASSERHAHN IST NUR FÜR KALTWASSER UND NICHT ALS TRINKWASSER ZUGELASSEN.



AVERTISSEMENT ! LE ROBINET EST UNIQUEMENT POUR DE L'EAU FROIDE ET N'EST PAS APPROUVÉ POUR L'EAU POTABLE.



¡ADVERTENCIA! EL GRIFO ES SOLO PARA AGUA FRÍA Y NO ESTÁ APROBADO PARA AGUA POTABLE.



ATTENZIONE! IL RUBINETTO È SOLO PER ACQUA FREDDA E NON È APPROVATO PER ACQUA POTABILE.



ADVARSEL! HANEN ER KUN TIL KOLDT VAND OG ER IKKE GODKENDT TIL DRIKKEVAND.



ADVARSEL! KRANEN ER KUN FOR KALDT VANN OG ER IKKE GODKJENT FOR DRIKKEVANN.



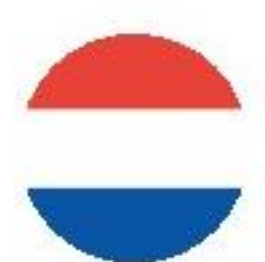
VARNING! KRANEN ÄR ENDAST FÖR KALLT VATTEN OCH ÄR INTE GODKÄND FÖR DRICKSVATTEN.



VIÐVÖRUN! KRANINN ER AÐEINS FYRIR KALT VATN OG ER EKKI SAMÞYKKTUR FYRIR DRYKKJARVATN.



UWAGA! KRAN JEST TYLKO DO ZIMNEJ WODY I NIE JEST ZATWIERDZONY DO PICIA.



WAARSCHUWING! DE KRAAN IS ALLEEN VOOR KOUD WATER EN IS NIET GOEDGEKEURD VOOR DRINKWATER.



AVISO! A TORNEIRA É APENAS PARA ÁGUA FRIA E NÃO É APROVADA PARA ÁGUA POTÁVEL.



HOIATUS! KRAAN ON MÕELDUD AINULT KÜLMA VEE JAOKS JA SEDA EI OLE JOOGIVEE JAOKS HEAKS KIIDETUD.



VAROITUS! HANA ON TARKOITETTU VAIN KYLMÄLLE VEDELLE EIKÄ SITÄ OLE HYVÄKSYTTY JUOMAVEDEKSI.



ΠΡΟΣΟΧΗ! Η ΒΡΥΣΗ ΕΙΝΑΙ ΜΟΝΟ ΓΙΑ ΚΡΥΟ ΝΕΡΟ ΚΑΙ ΔΕΝ ΕΙΝΑΙ ΕΓΚΕΚΡΙΜΕΝΗ ΓΙΑ ΠΟΣΙΜΟ ΝΕΡΟ.



ATENȚIE! ROBINETUL ESTE DOAR PENTRU APĂ RECE ȘI NU ESTE APROBAT PENTRU APĂ POTABILĂ.



UPOZORENJE! SLAVINA JE SAMO ZA HLADNU VODU I NIJE ODOBRENA ZA PITKU VODU.



ВНИМАНИЕ! КРАНЪТ Е САМО ЗА СТУДЕНА ВОДА И НЕ Е ОДОБРЕН ЗА ПИТЕЙНА ВОДА.



UZMANĪBU! KRĀNS IR PAREDZĒTS TIKAI AUKSTAJAM ŪDENIM UN NAV APSTIPRINĀTS DZERAMĀ ŪDENS LIETOŠANAI.



ĮSPĖJIMAS! ŠIS ČIAUPAS YRA SKIRTAS TIK ŠALTAM VANDENIUI IR NĖRA PATVIRTINTAS GERIAMAJAM VANDENIUI.



UPOZORNENIE! KOHÚTIK JE LEN PRE STUDENÚ VODU A NIE JE SCHVÁLENÝ PRE PITNÚ VODU.



OPOZORILO! PIPA JE SAMO ZA HLADNO VODO IN NI ODOBRENA ZA PITNO VODO.



UPOZORNĚNÍ! TENTO KOHOUTEK JE POUZE PRO STUDENOU VODU A NENÍ SCHVÁLEN PRO PITNOU VODU.



FIGYELEM! A CSAP CSAK HIDEG VÍZHEZ VAN ÉS NEM JÓVÁHAGYOTT IVÓVÍZHEZ.



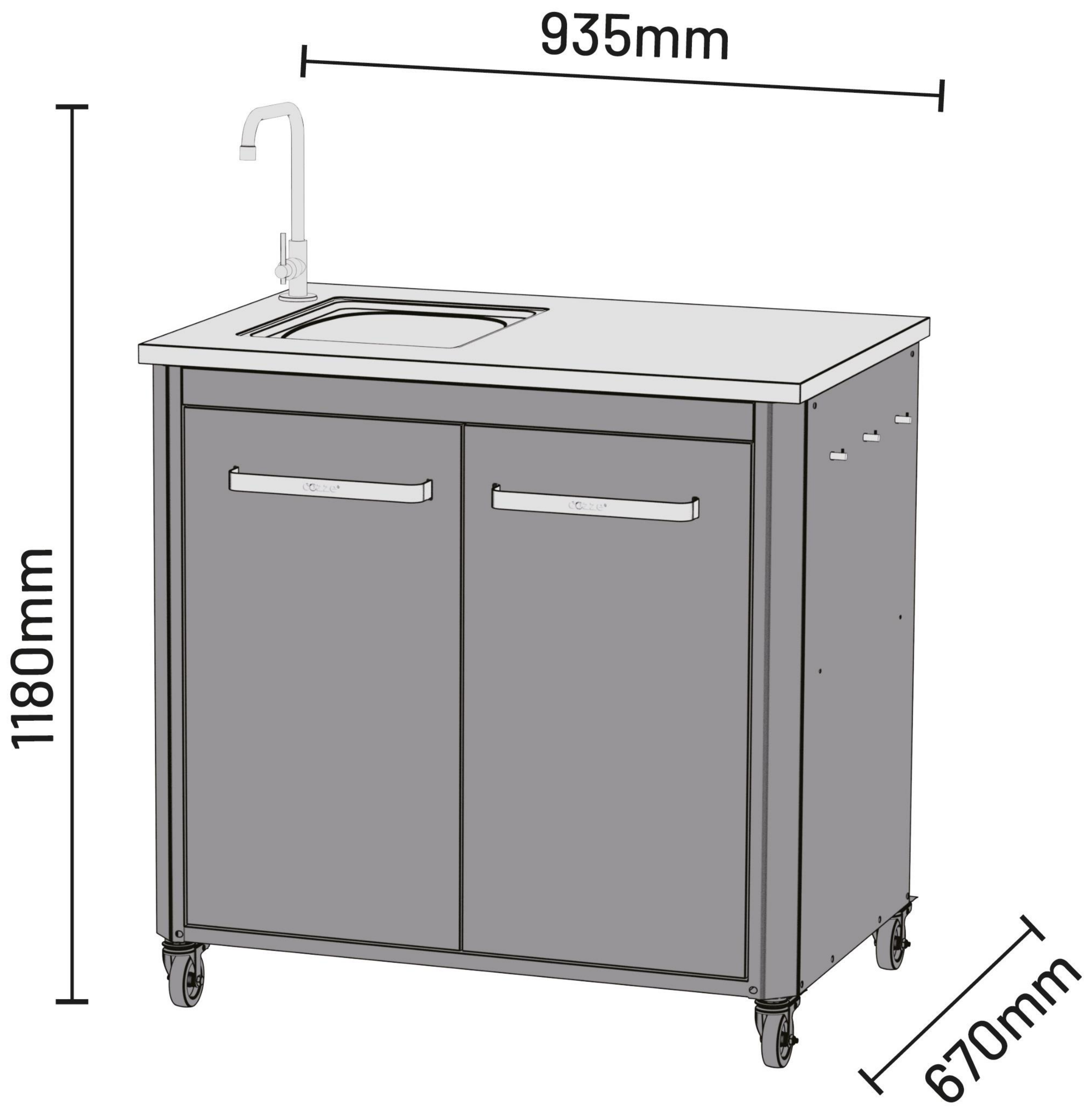
וניאו מירק מימל קר אוה זרבה! הרהזא הייתש ימל רשואמ.

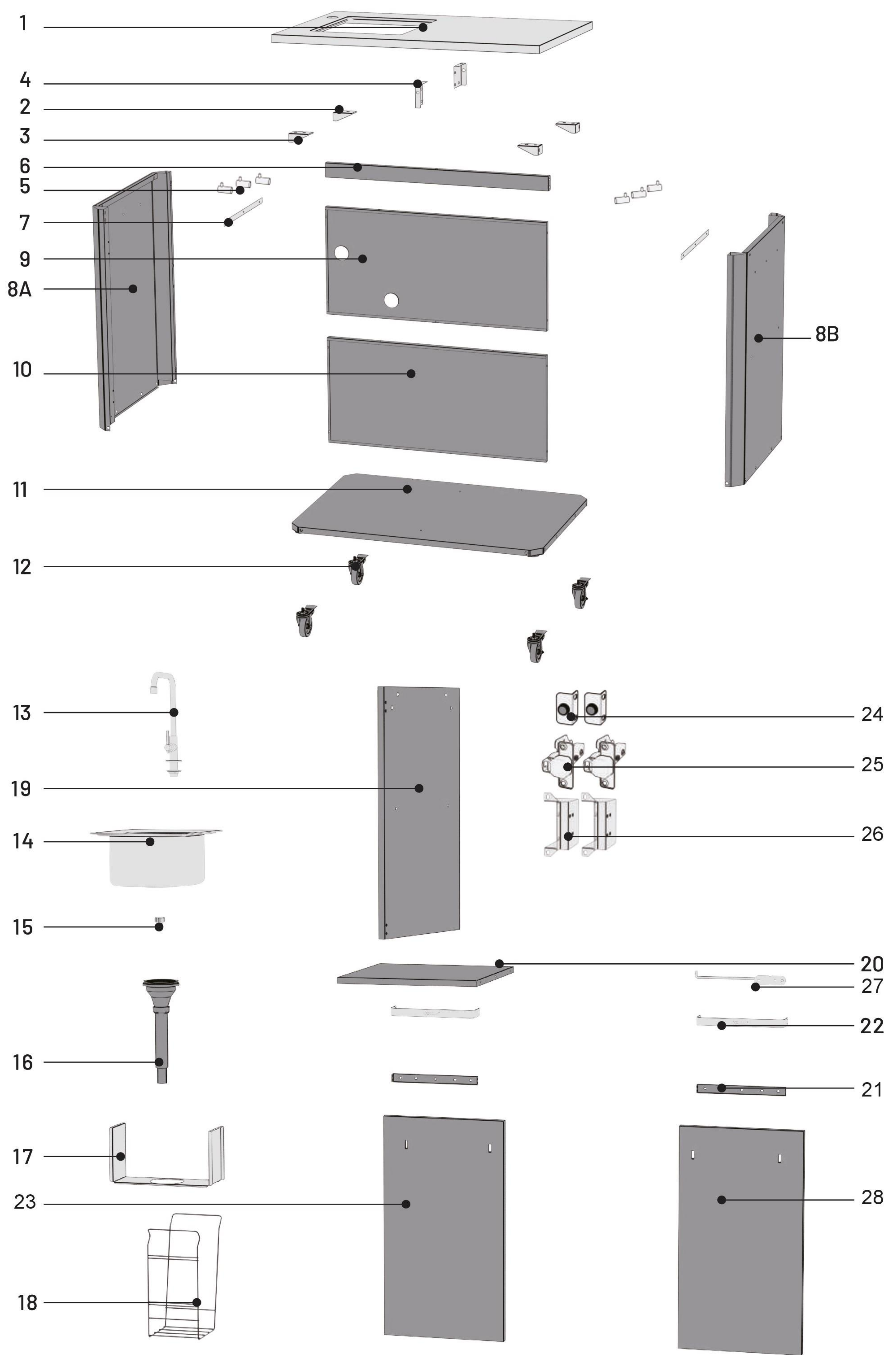


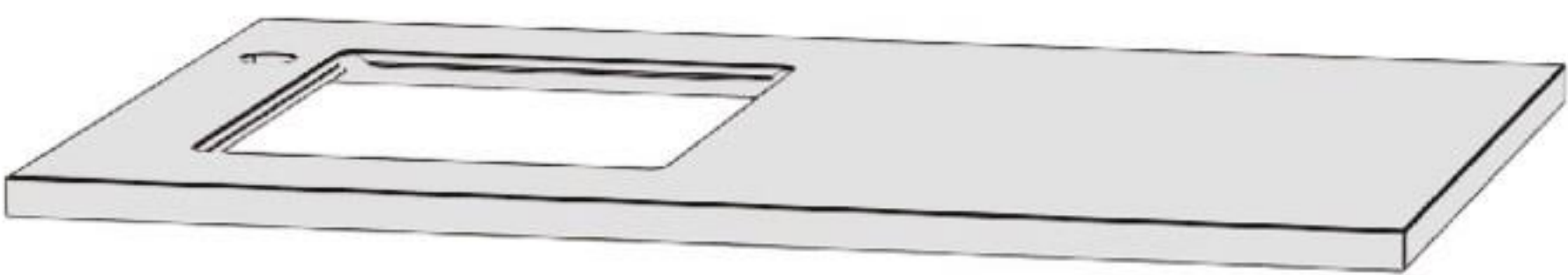
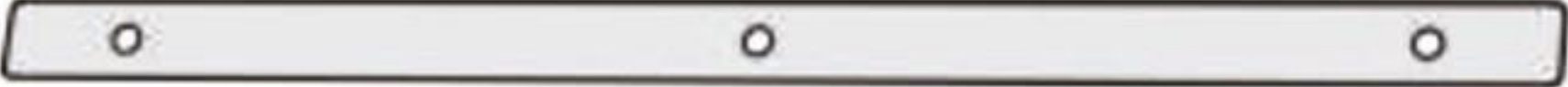
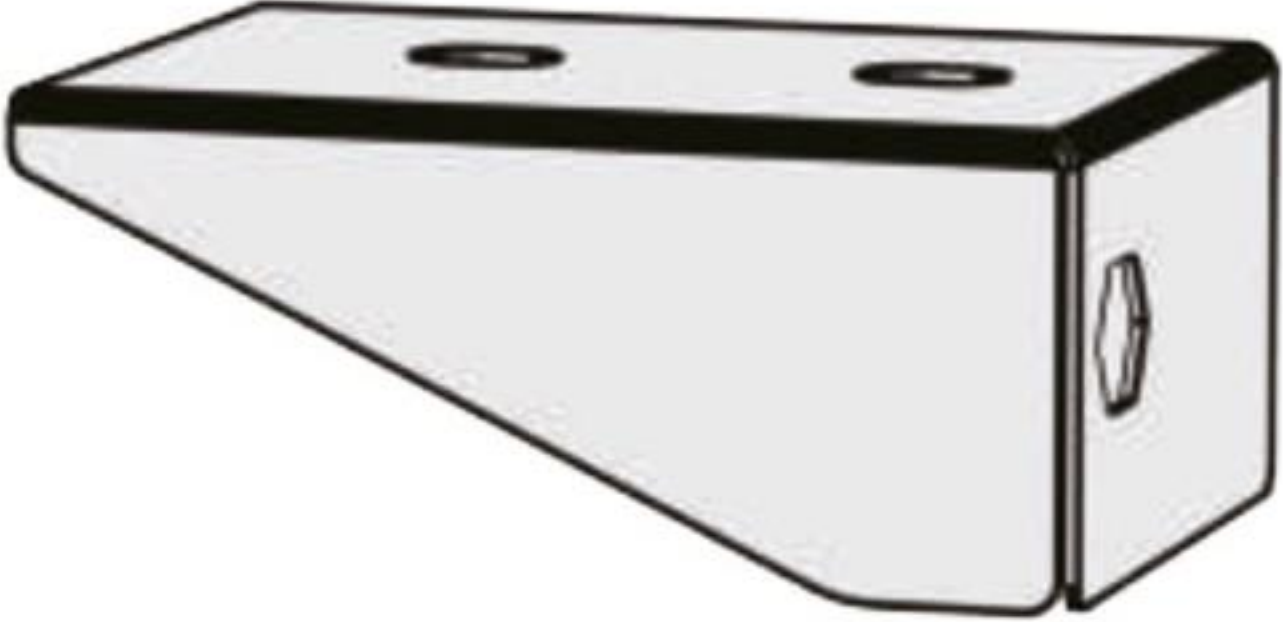
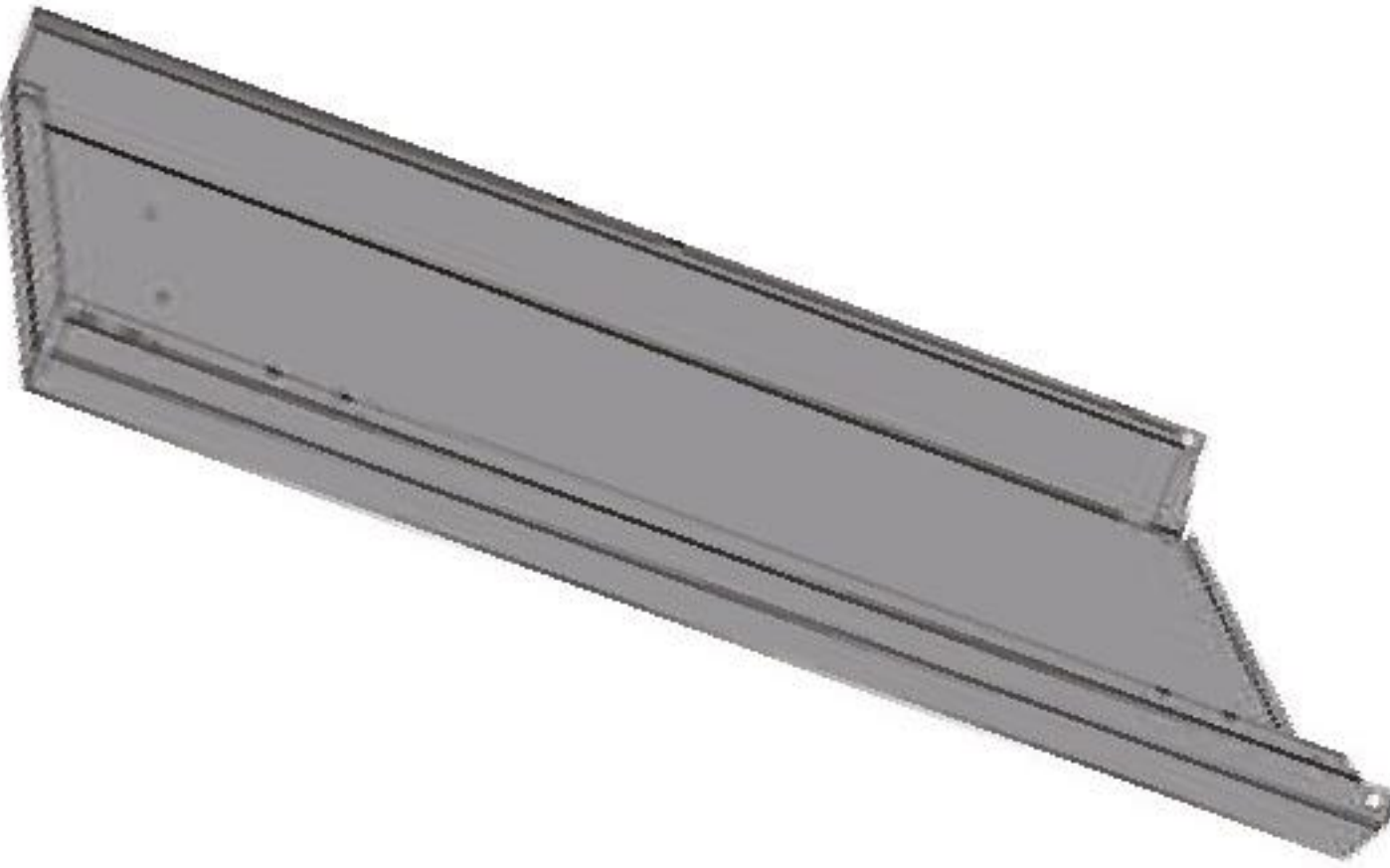
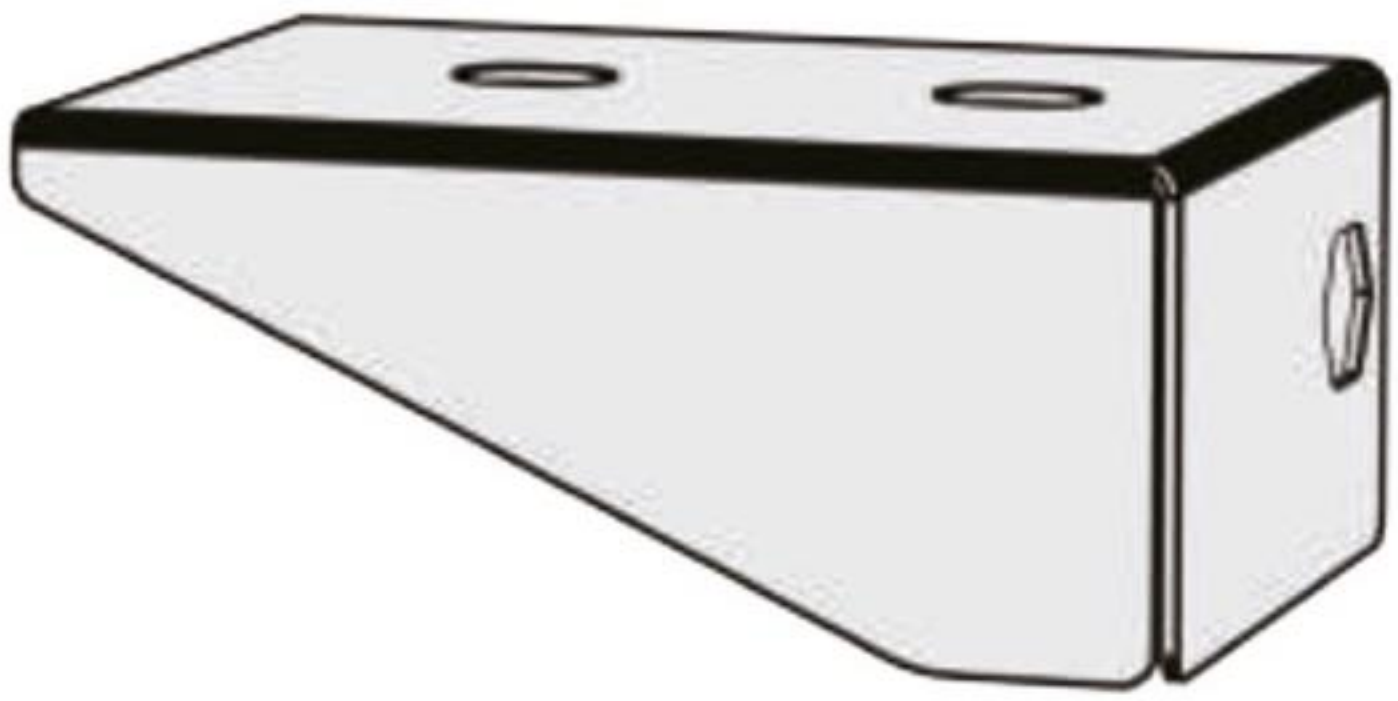
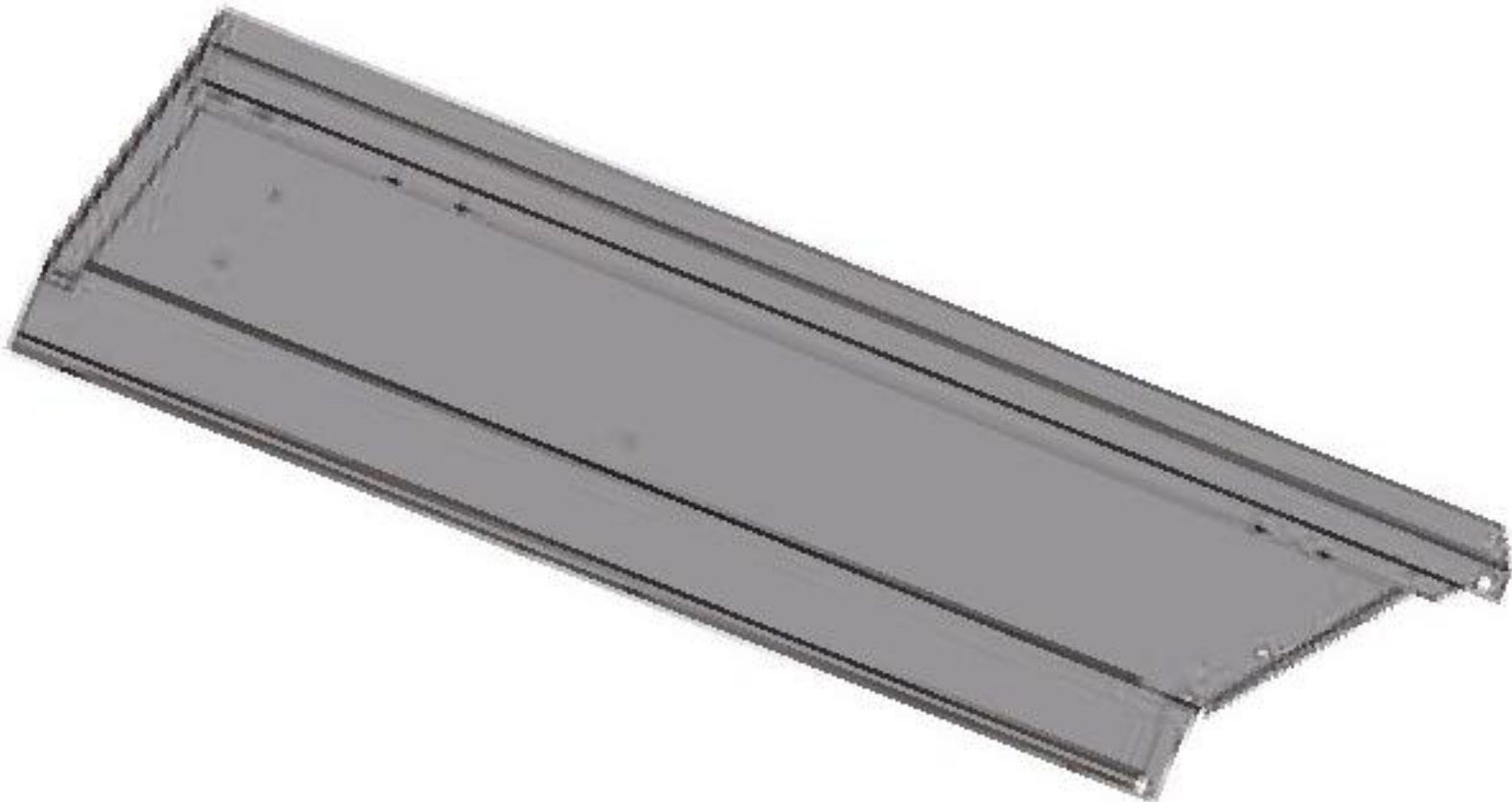

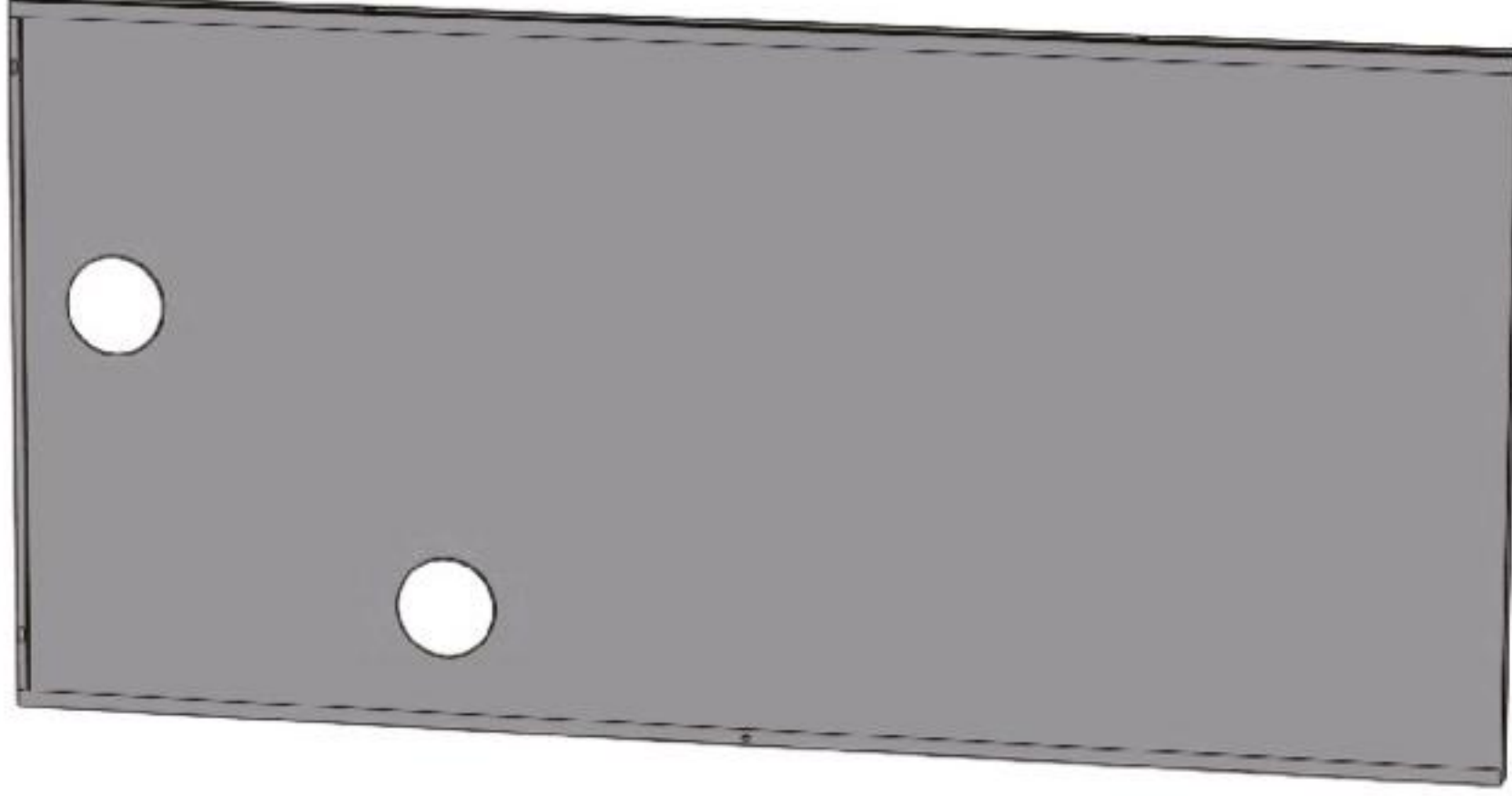
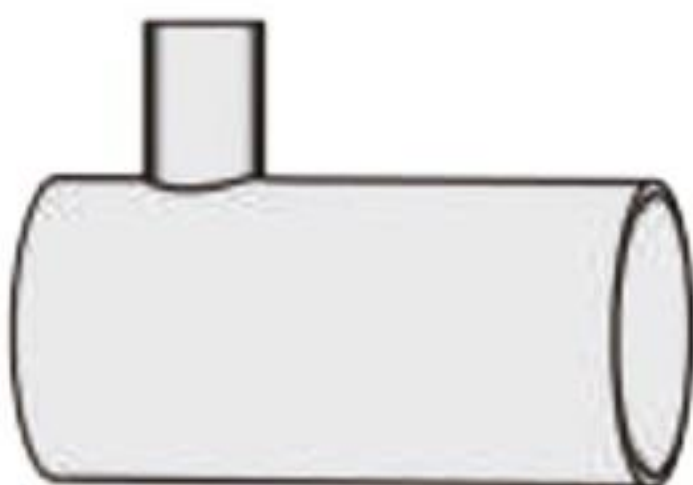
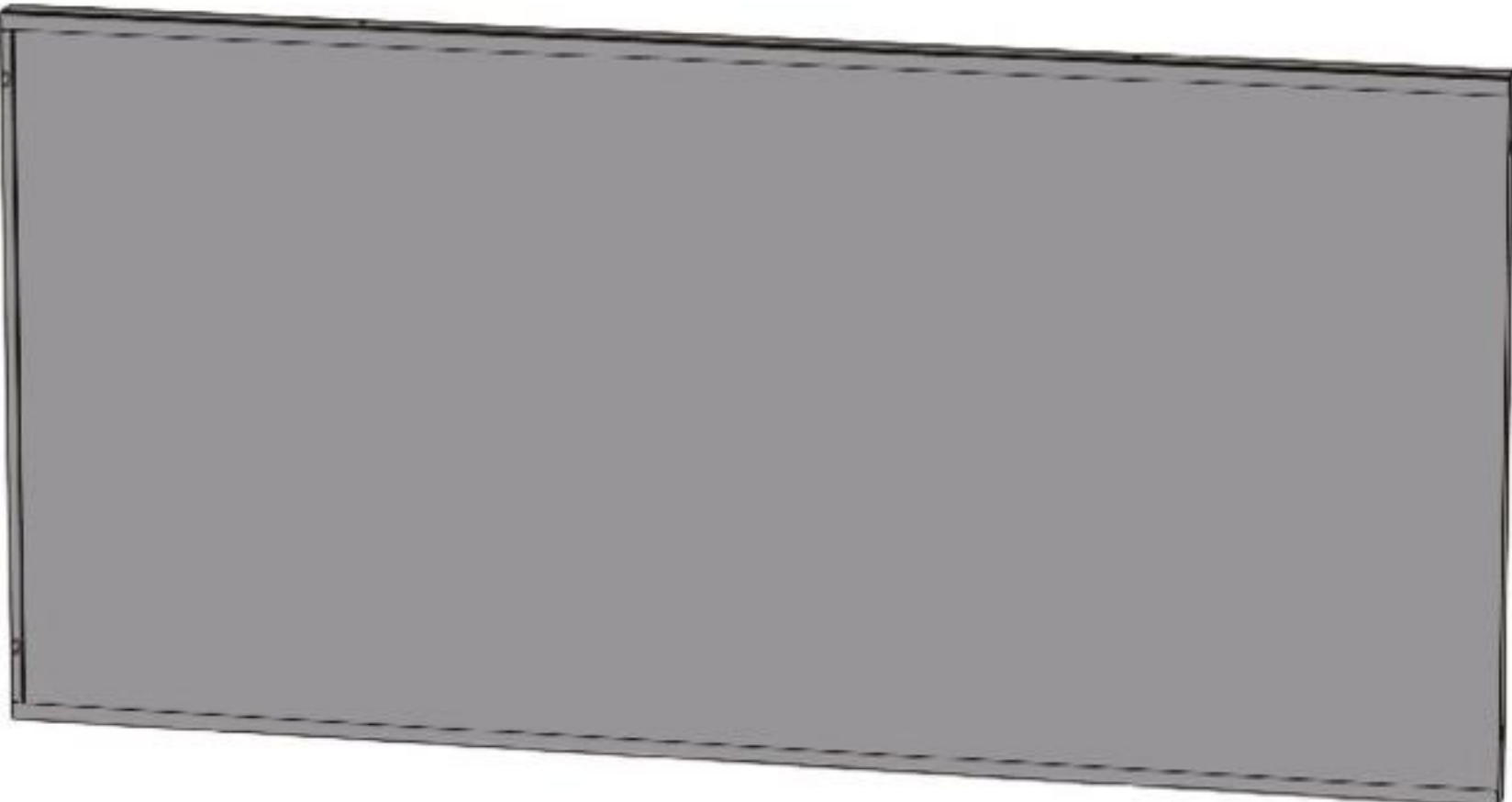


UYARI! MUSLUK SADECE SOĞUK SU İÇİNDİR VE İÇME SUYU İÇİN ONAYLANMAMIŞTIR.

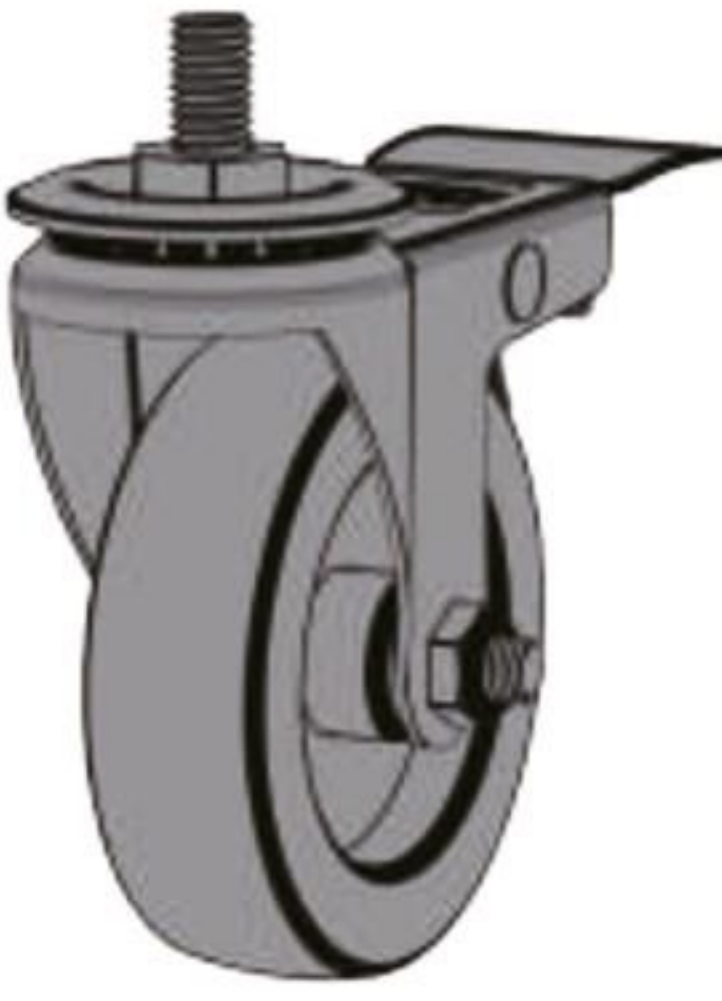
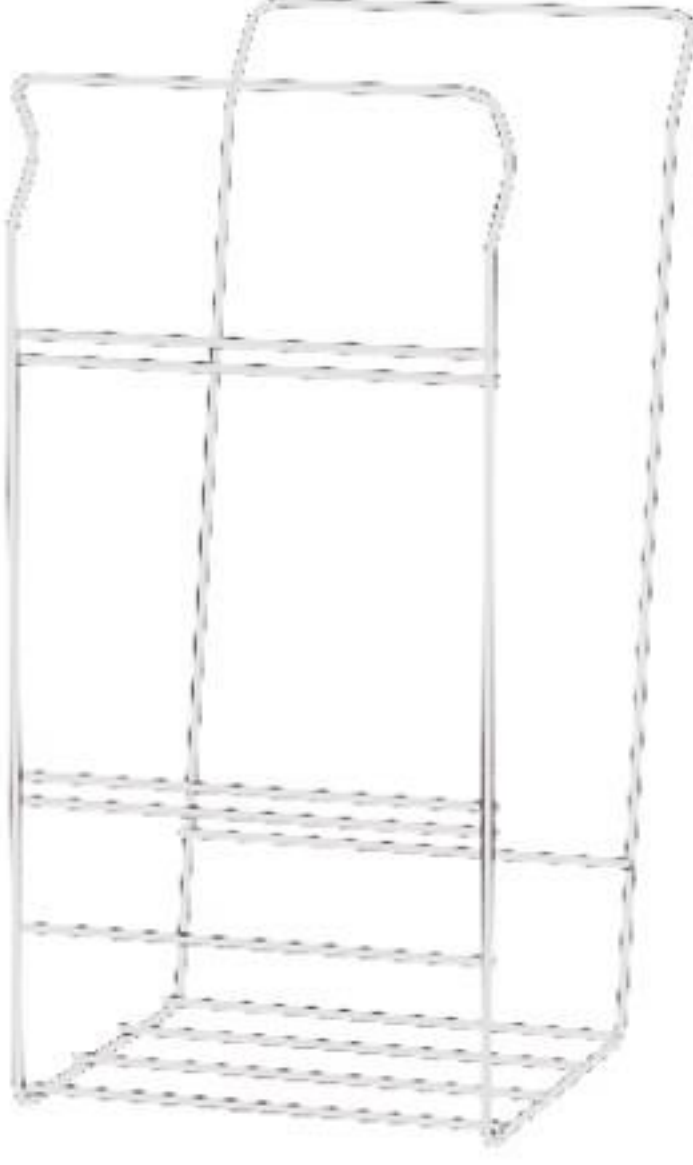
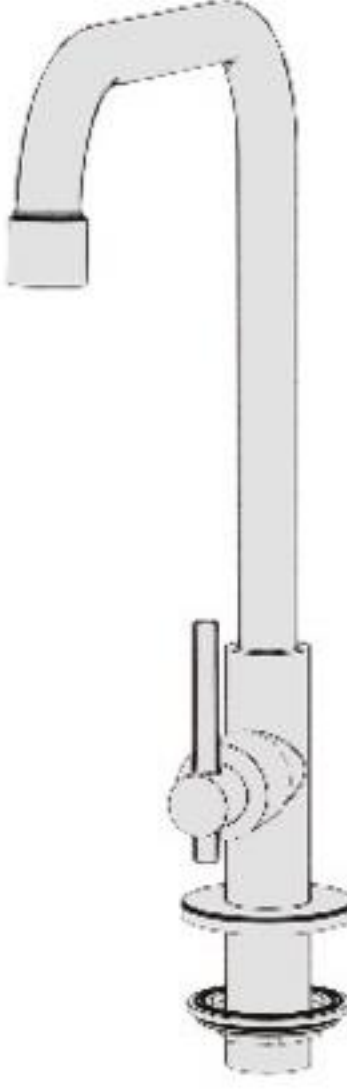
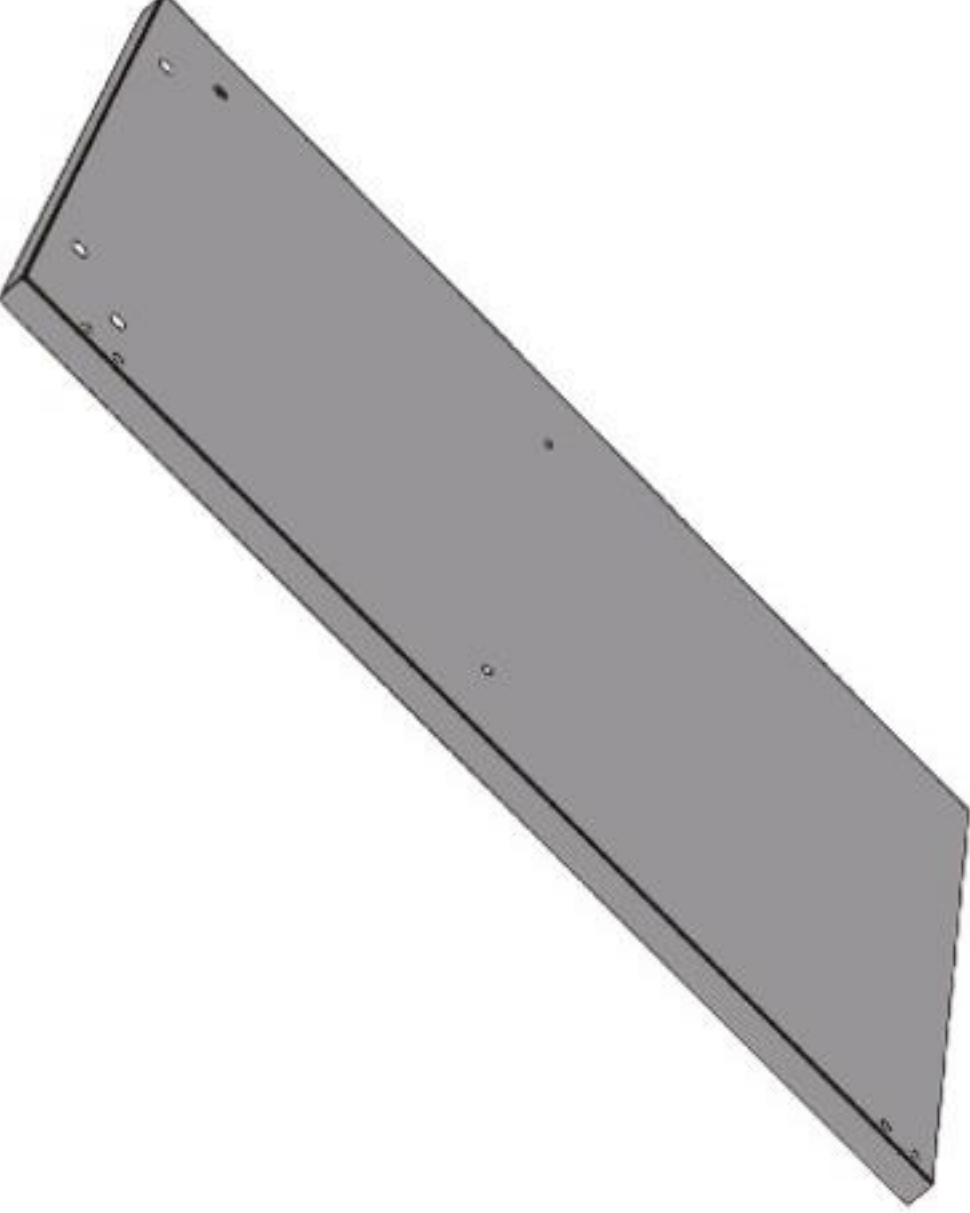

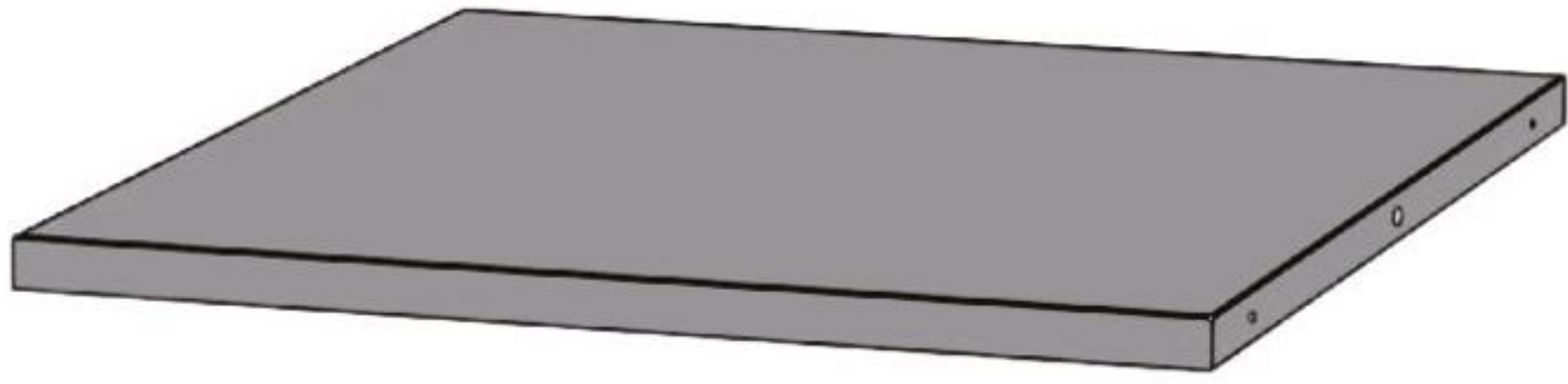




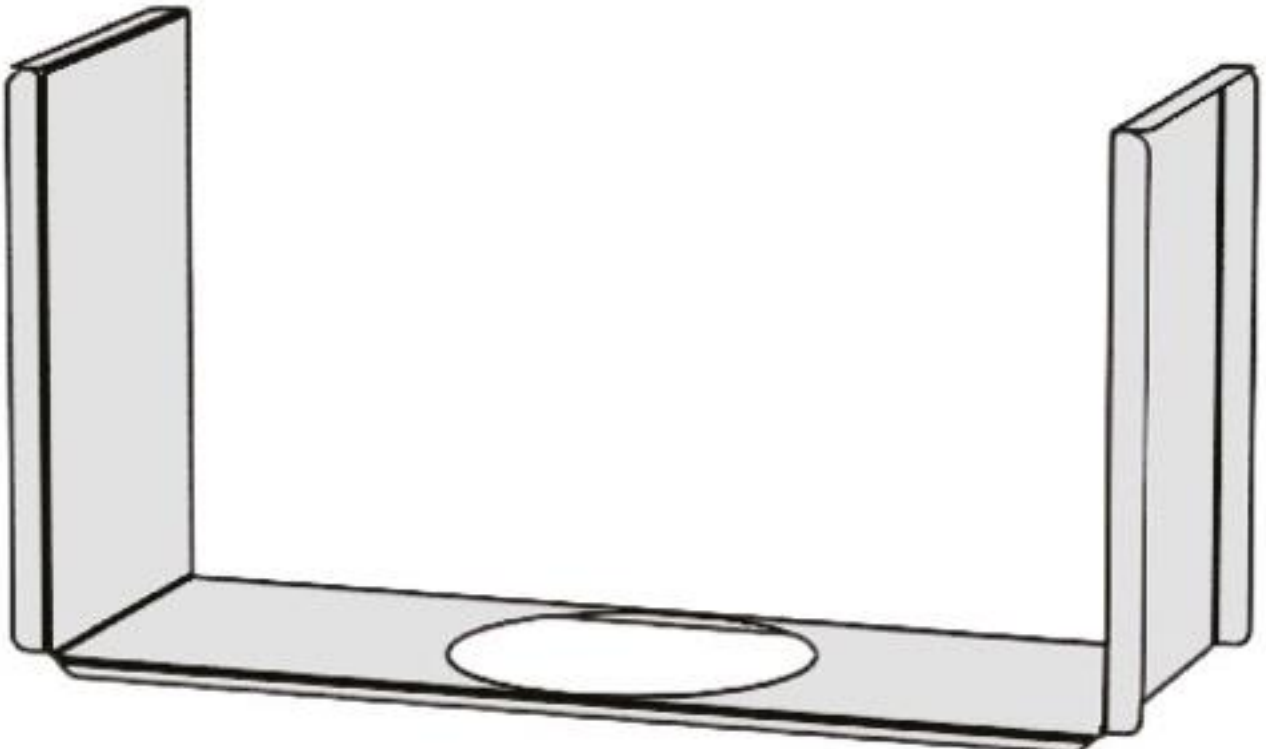





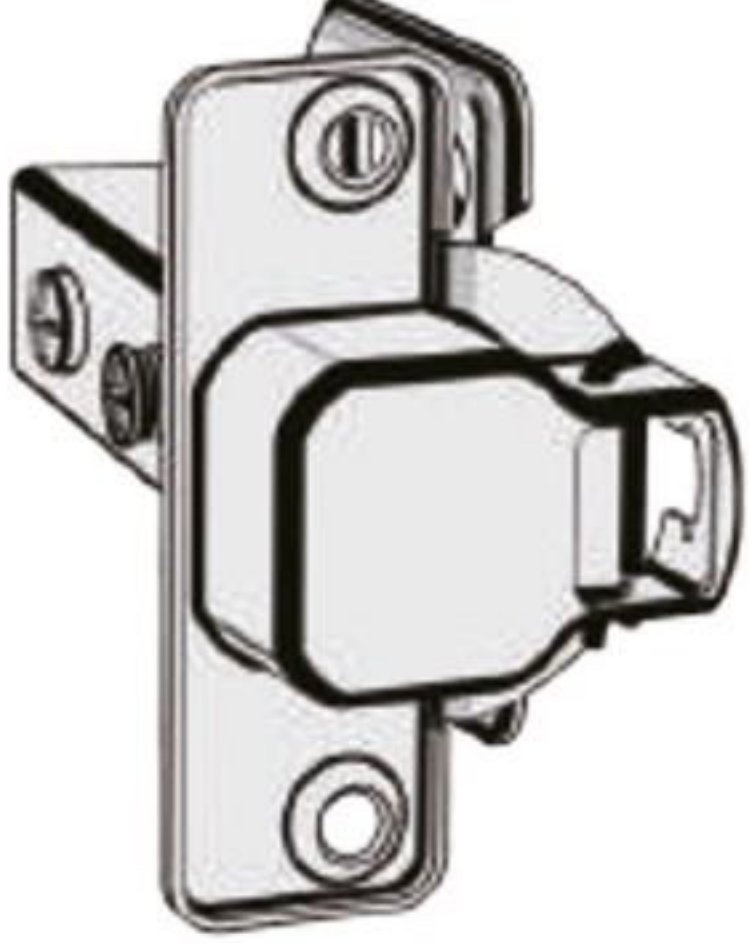


طقف درابالءاملل صصخم روبنصلا! ريذحت برشلا هايمل دمتم ريغو.


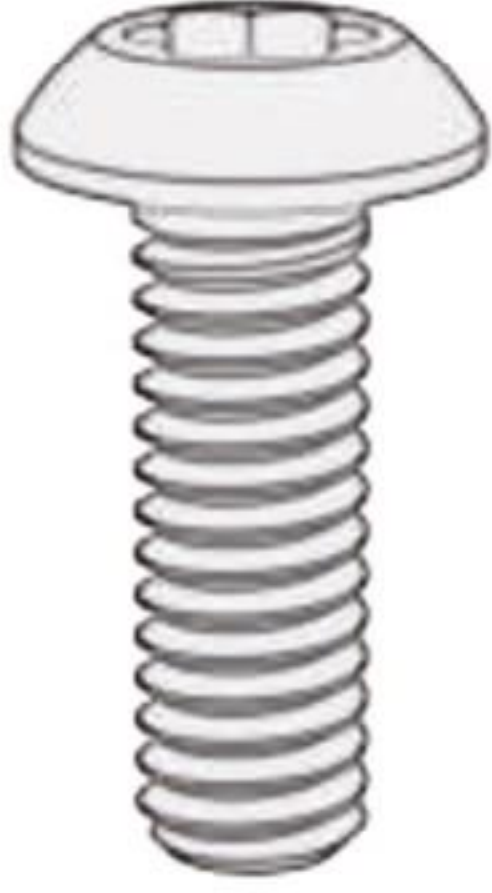
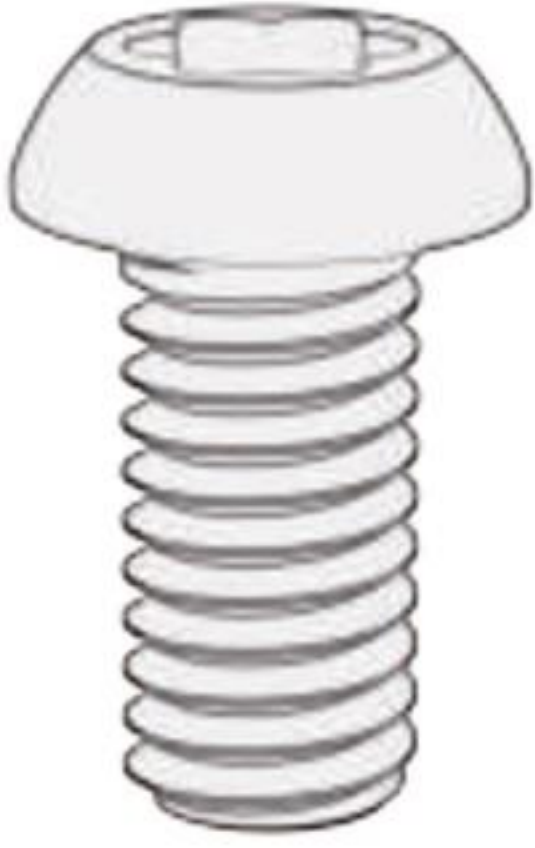




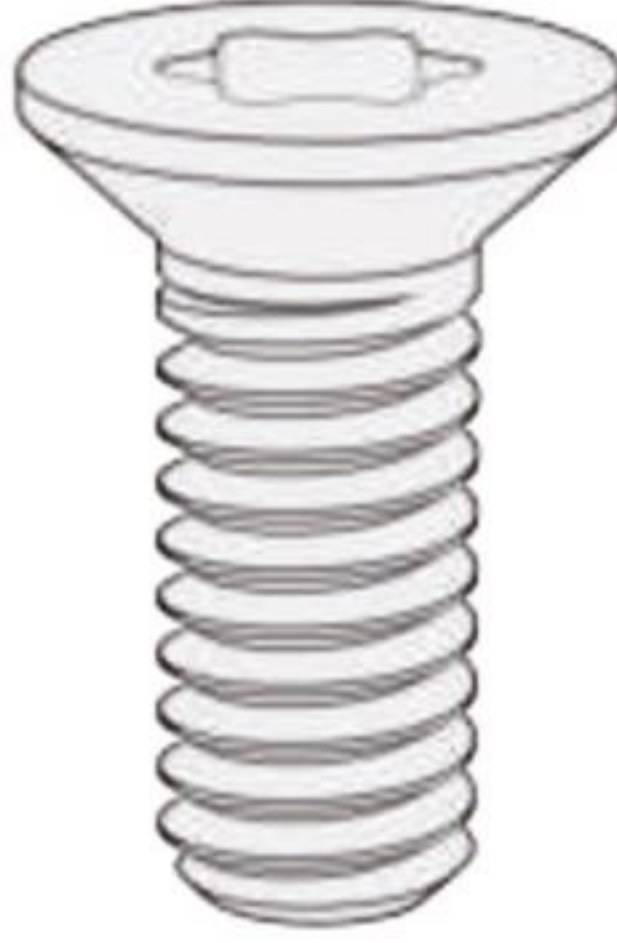



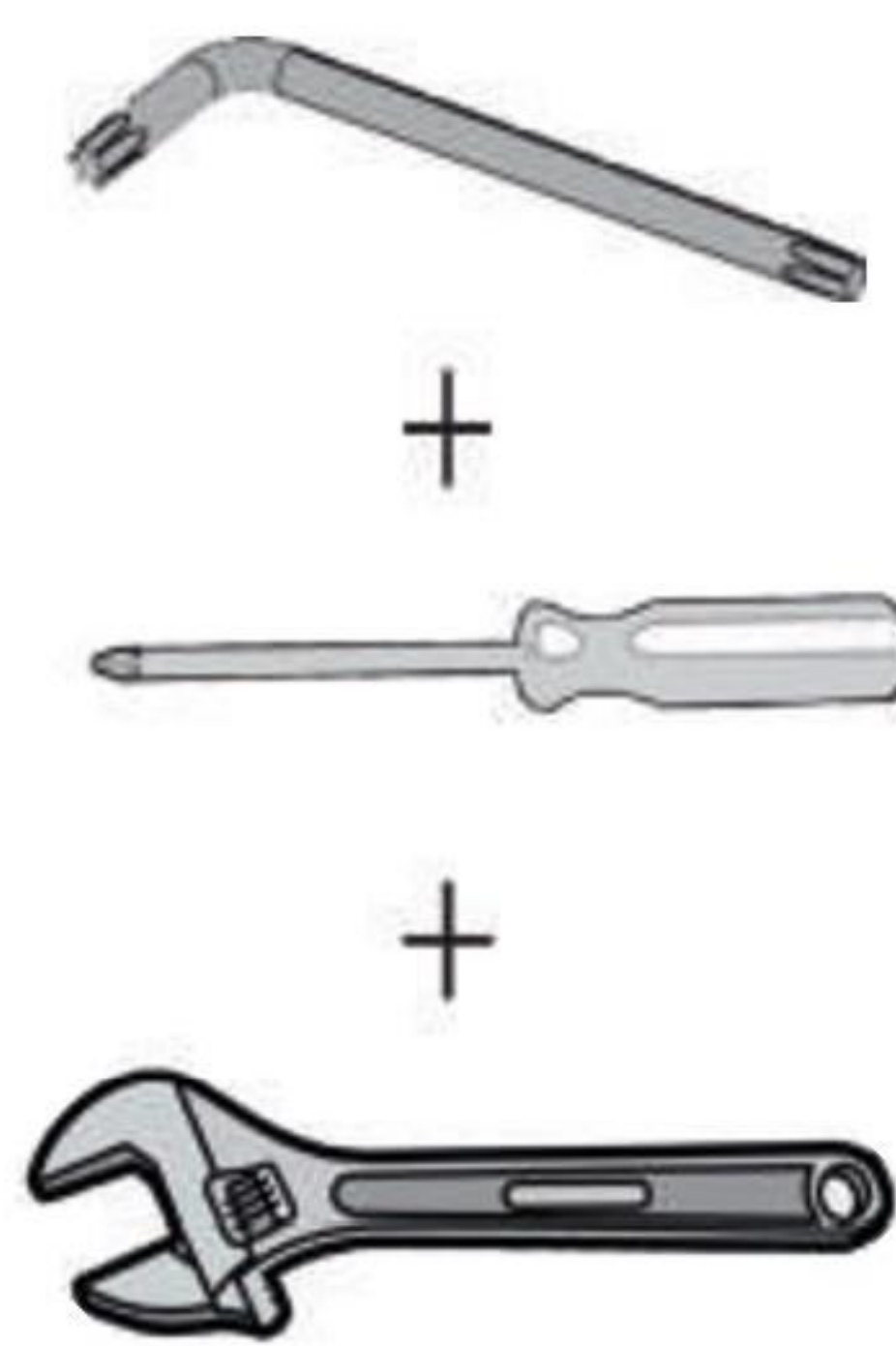
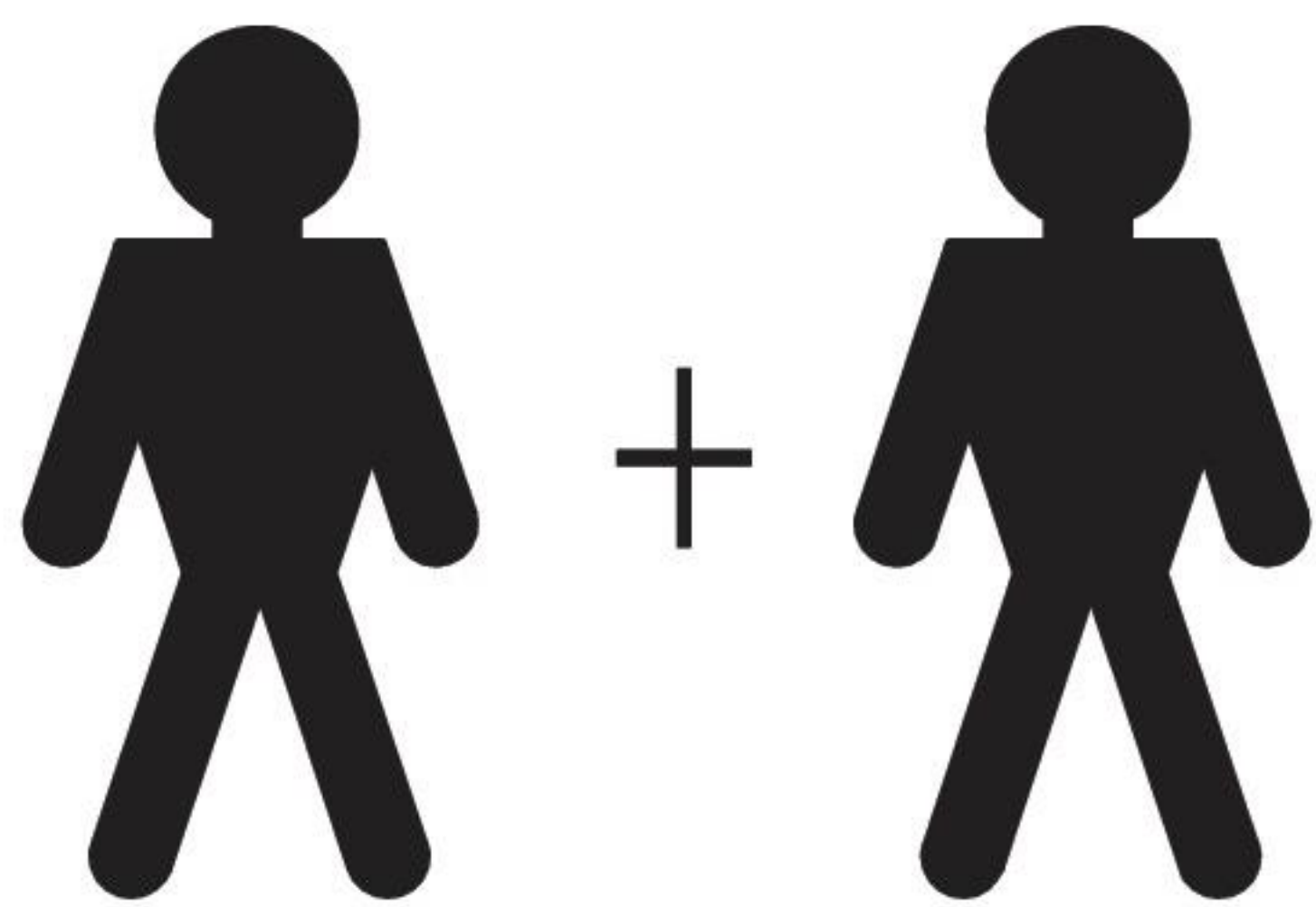



1		1pc.	7		2pcs.
2		2pcs.	8A		1pc.
3		2pcs.	8B		1pc.
4		2pcs.	9		1pc.
5		6pcs.	10		1pc.
6		1pc.	11		1pc.

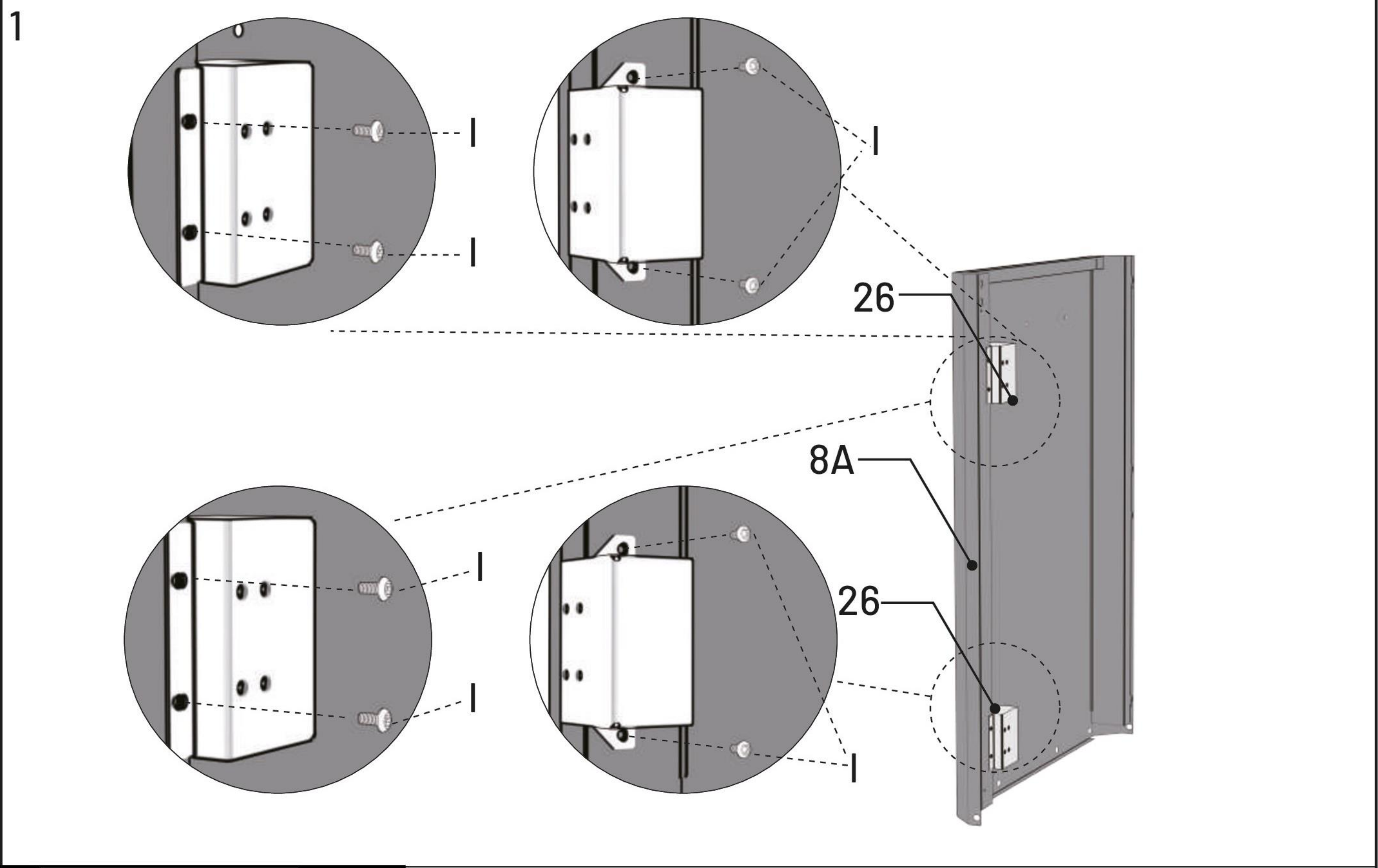
12		4pcs.	18		1pc.
13		1pc.	19		1pc.
14		1pc.	20		1pc.
15		1pc.	21		2pcs.
16		1pc.	22		2pcs.
17		1pc.	23		1pc.


24		4pcs.	27		1pc.
25		4pcs.	28		1pc.
26		4pcs.			

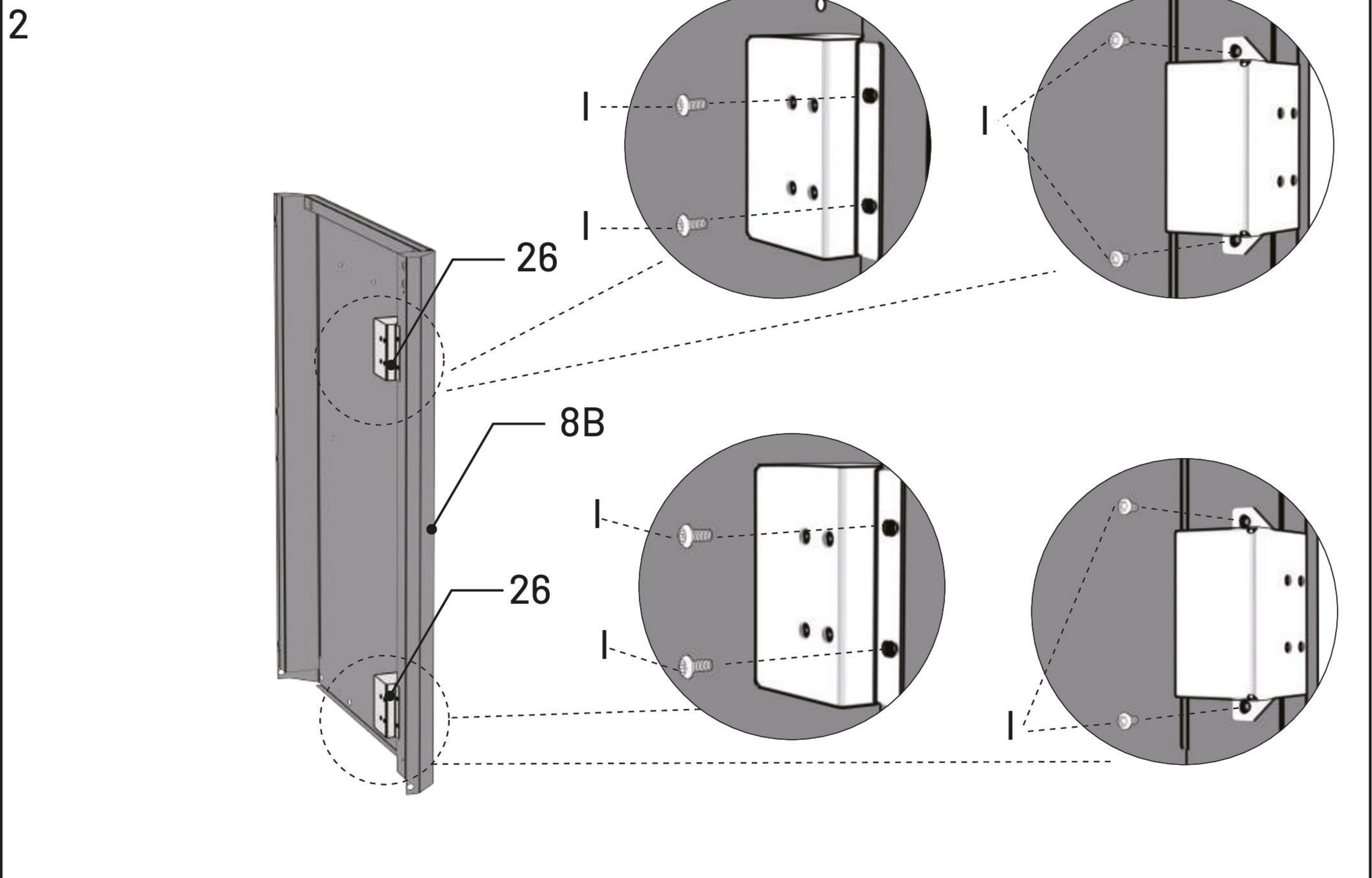
A	M6X40 	4pcs.	D	M4X16 	9pcs.
B	M6X12 	9pcs.	F	M6X12-SS 	14pcs.
L	M4X8 	16pcs.	C	ST4.2X10 	11pcs.
I	M4X8-SS 	54pcs.	J	M6X16 	8pcs.
K	ϕ 4.5 	4pcs.			




1	M4X8-SS 	8pcs.
---	--	-------

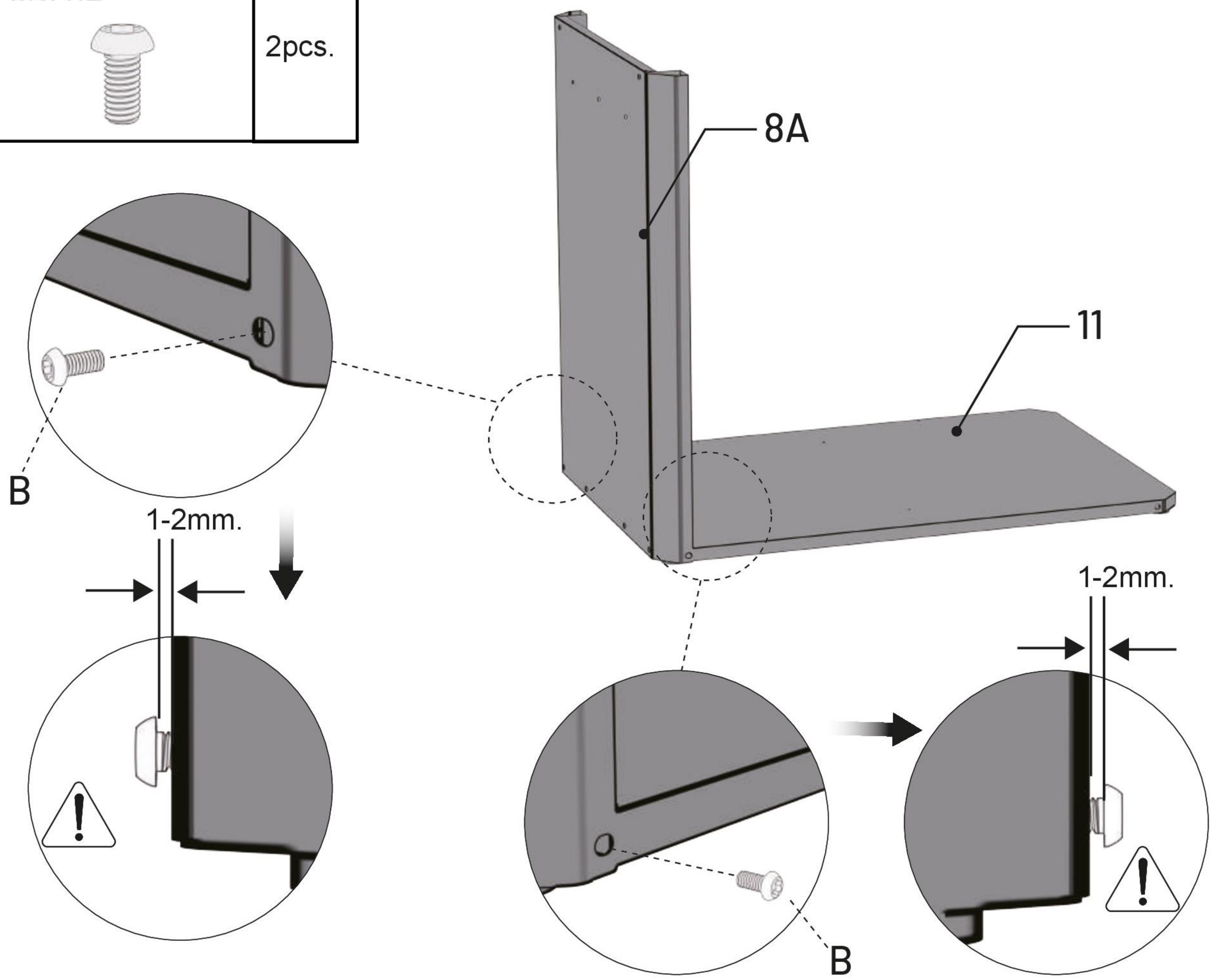



1	M4X8-SS 	8pcs.
---	--	-------



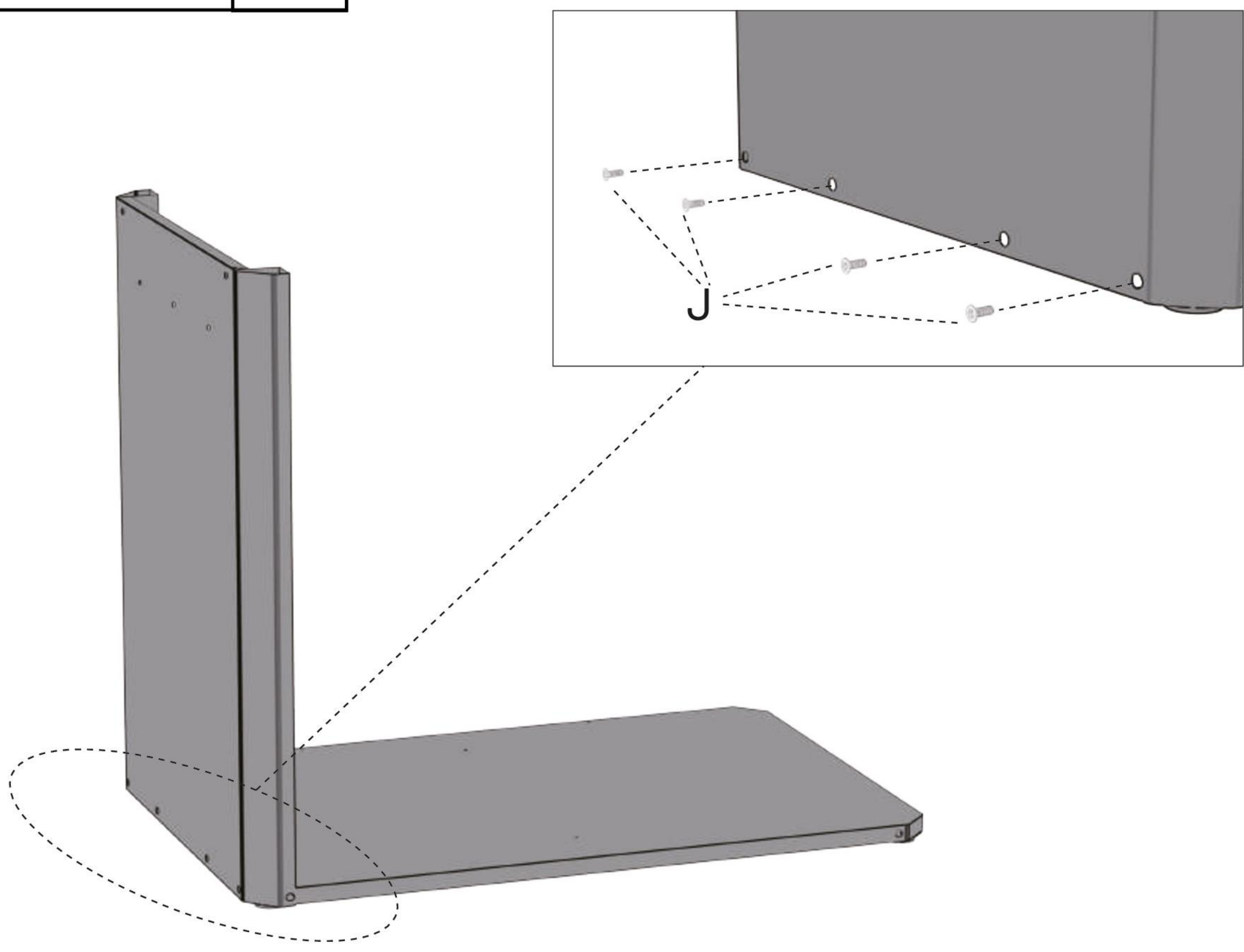
B	M6X12 	2pcs.
---	--	-------

3

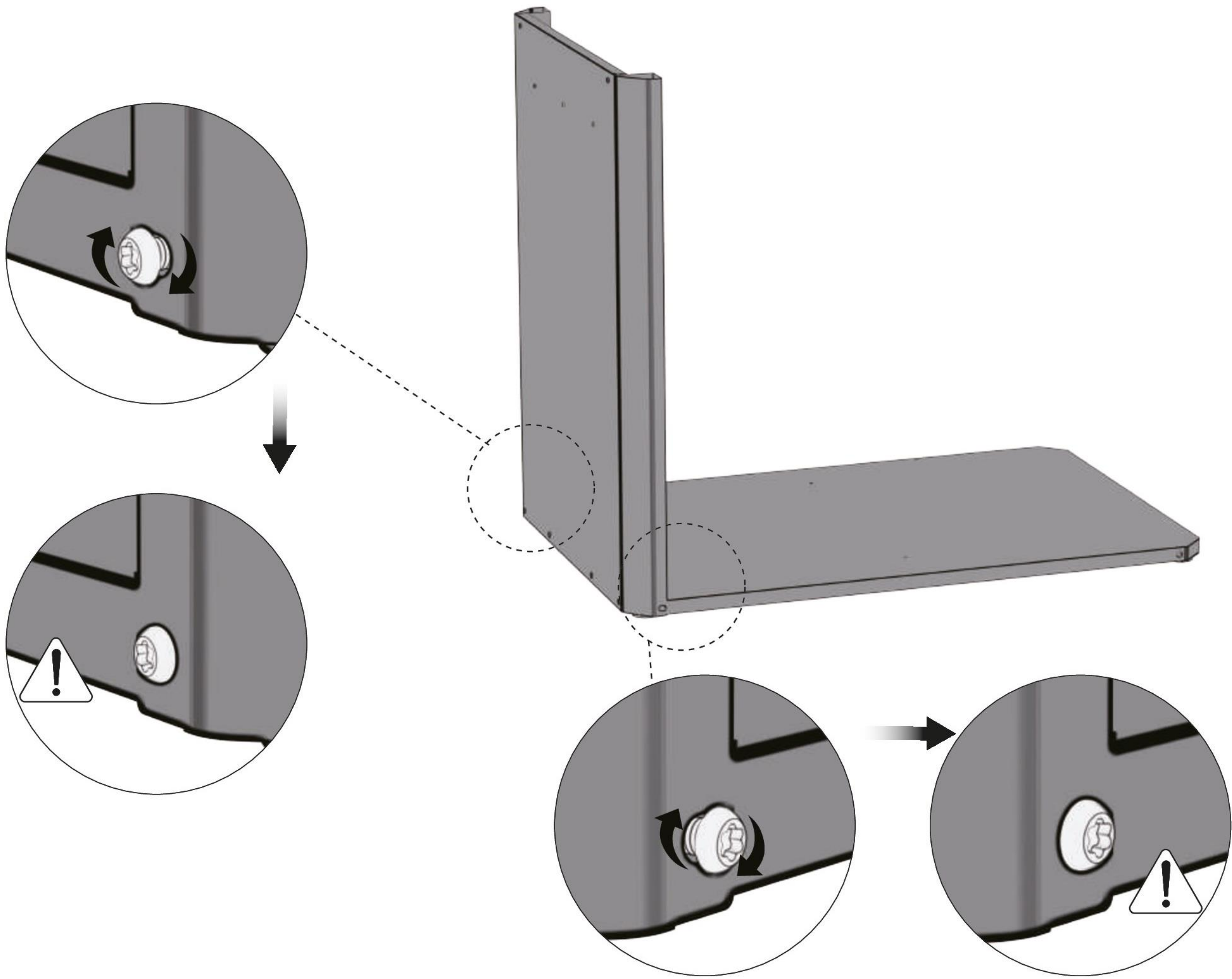


J	M6X16 	4pcs.
---	--	-------

4



5

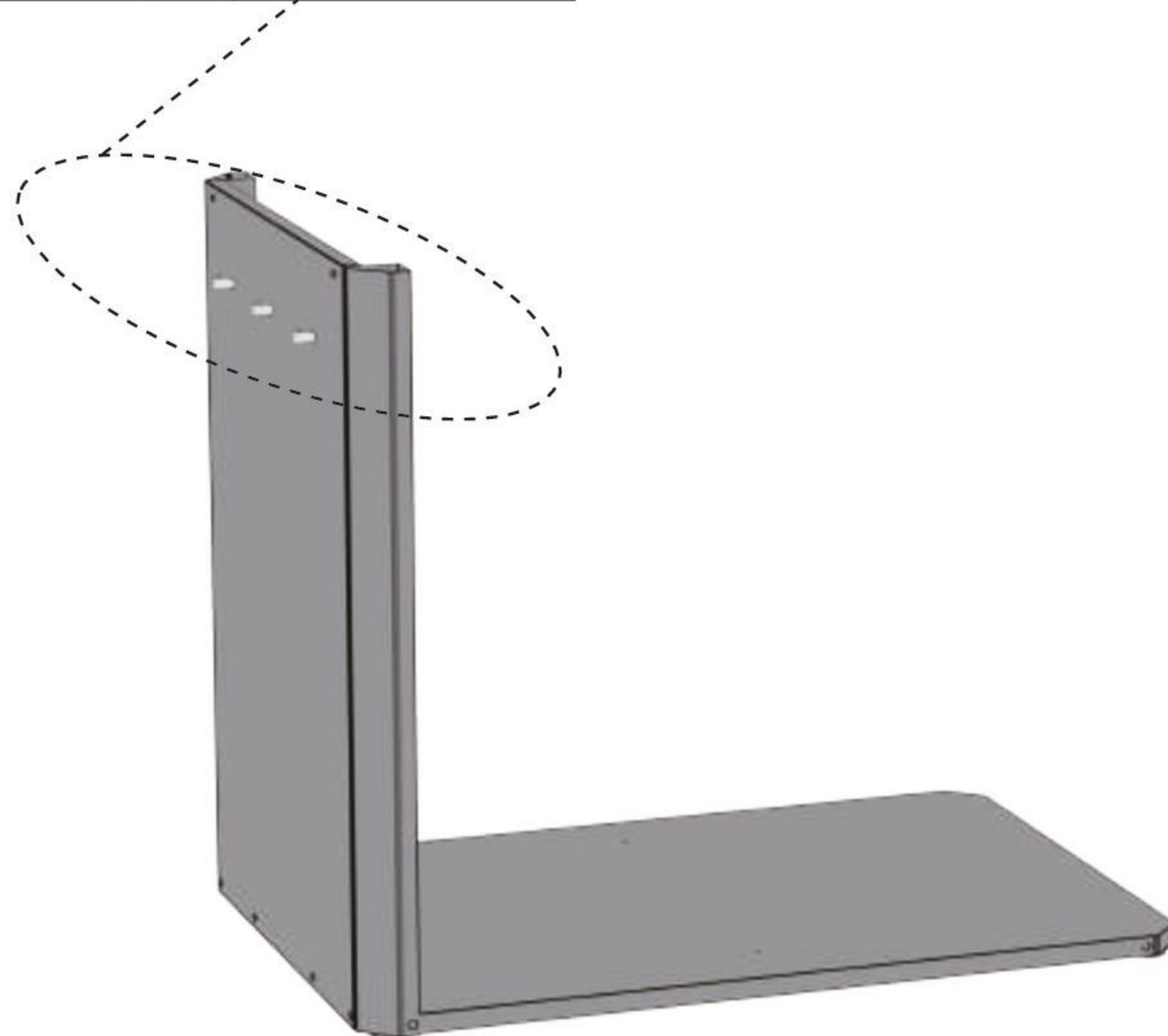
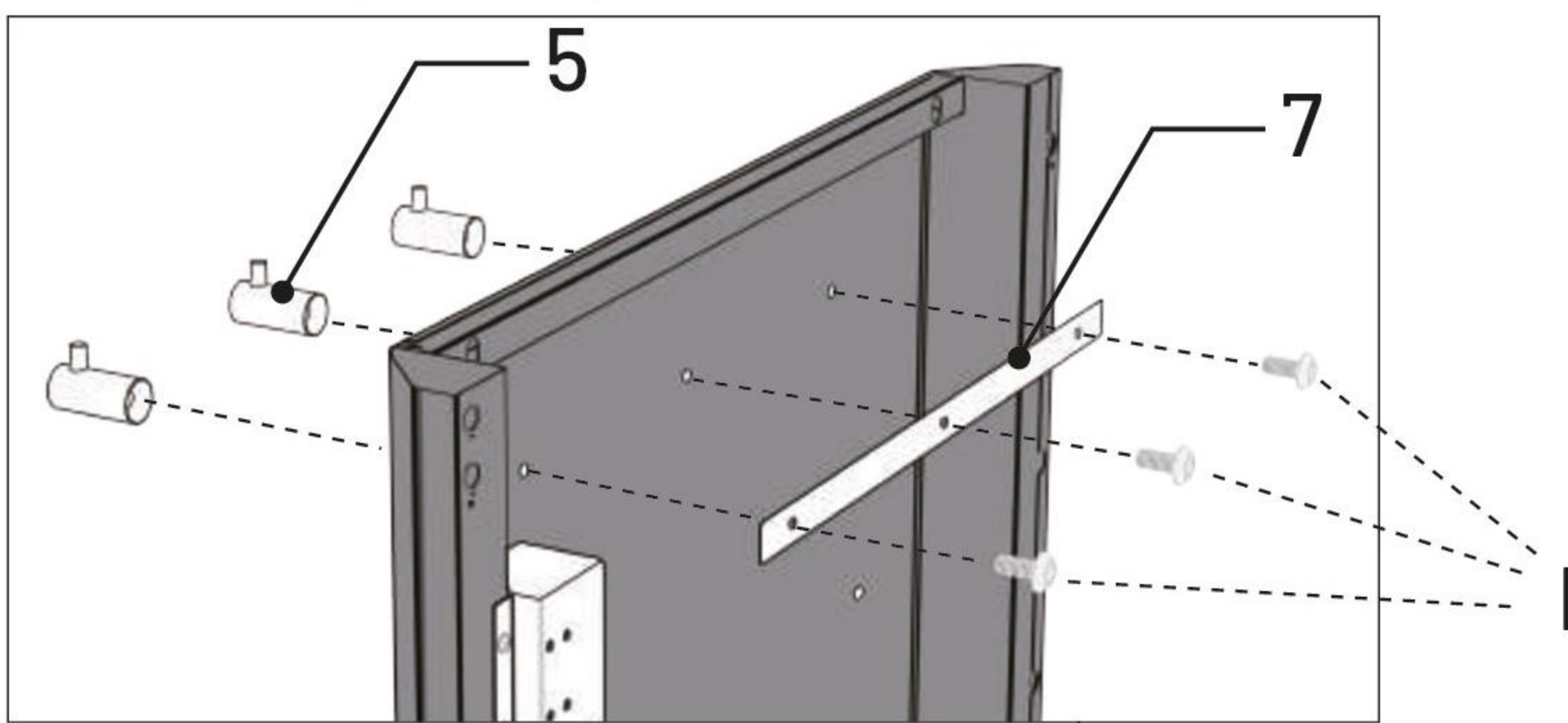



M4X8-SS



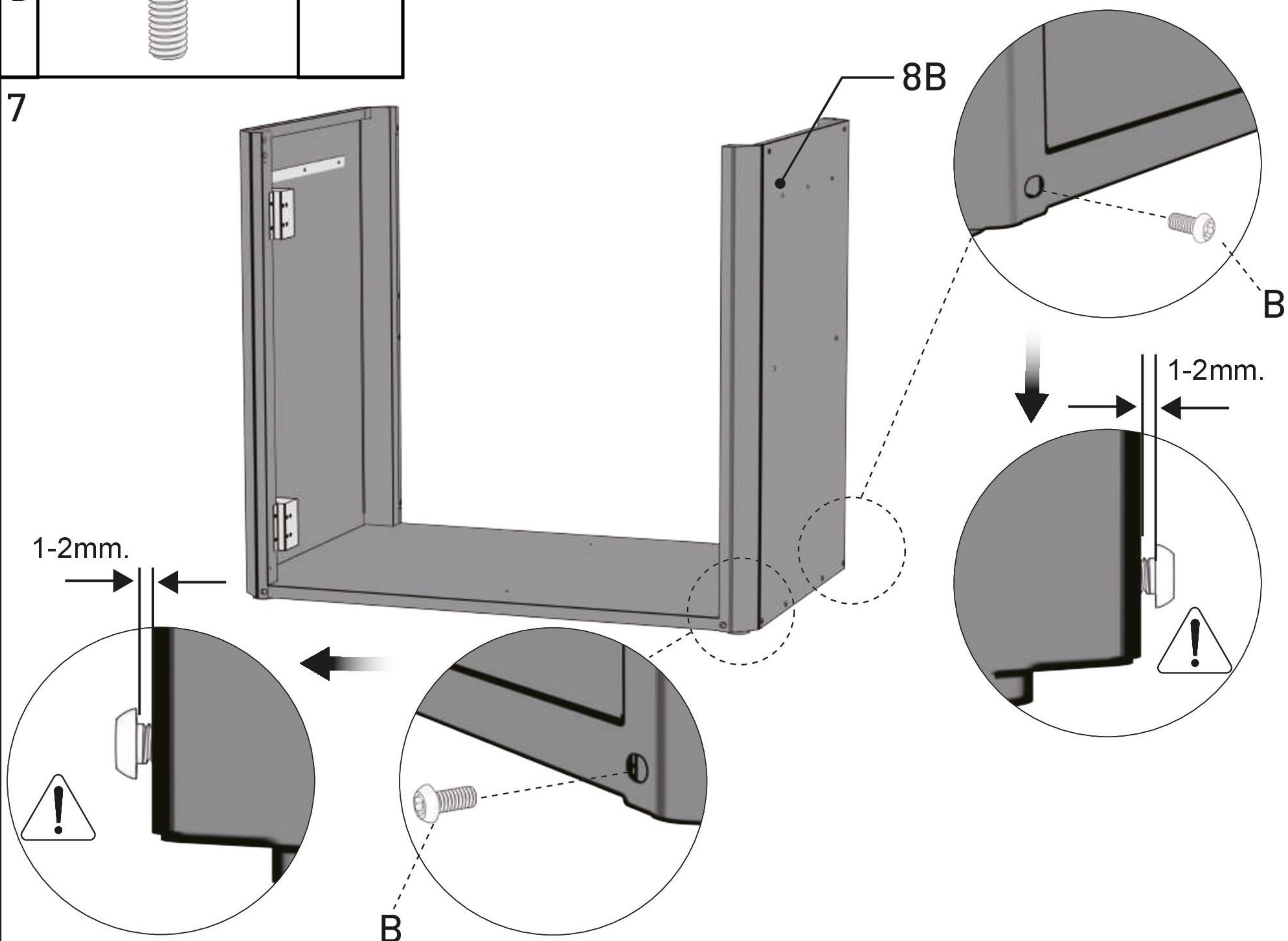
3pcs.

6



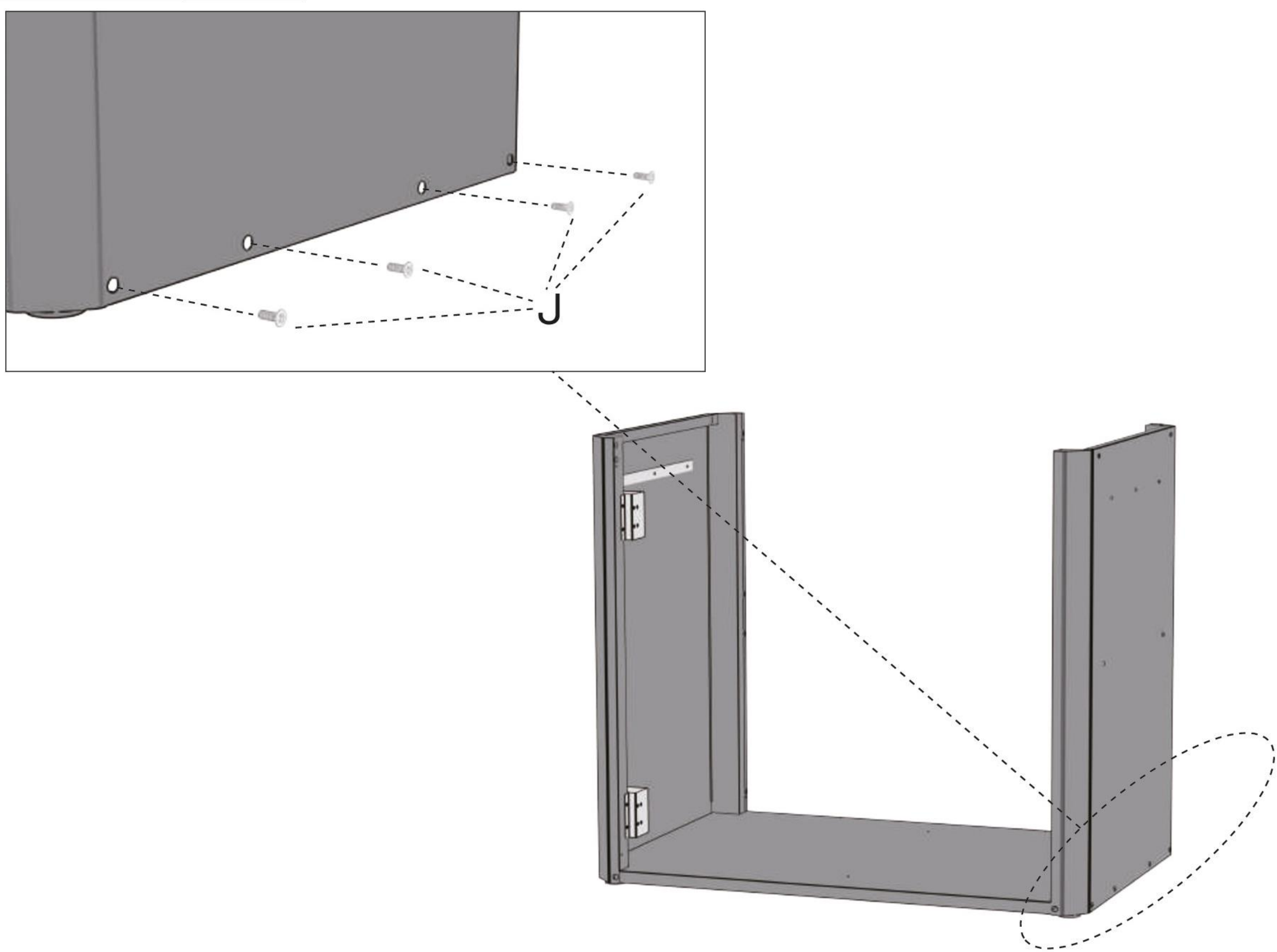
B	M6X12 	2pcs.
---	--	-------

7

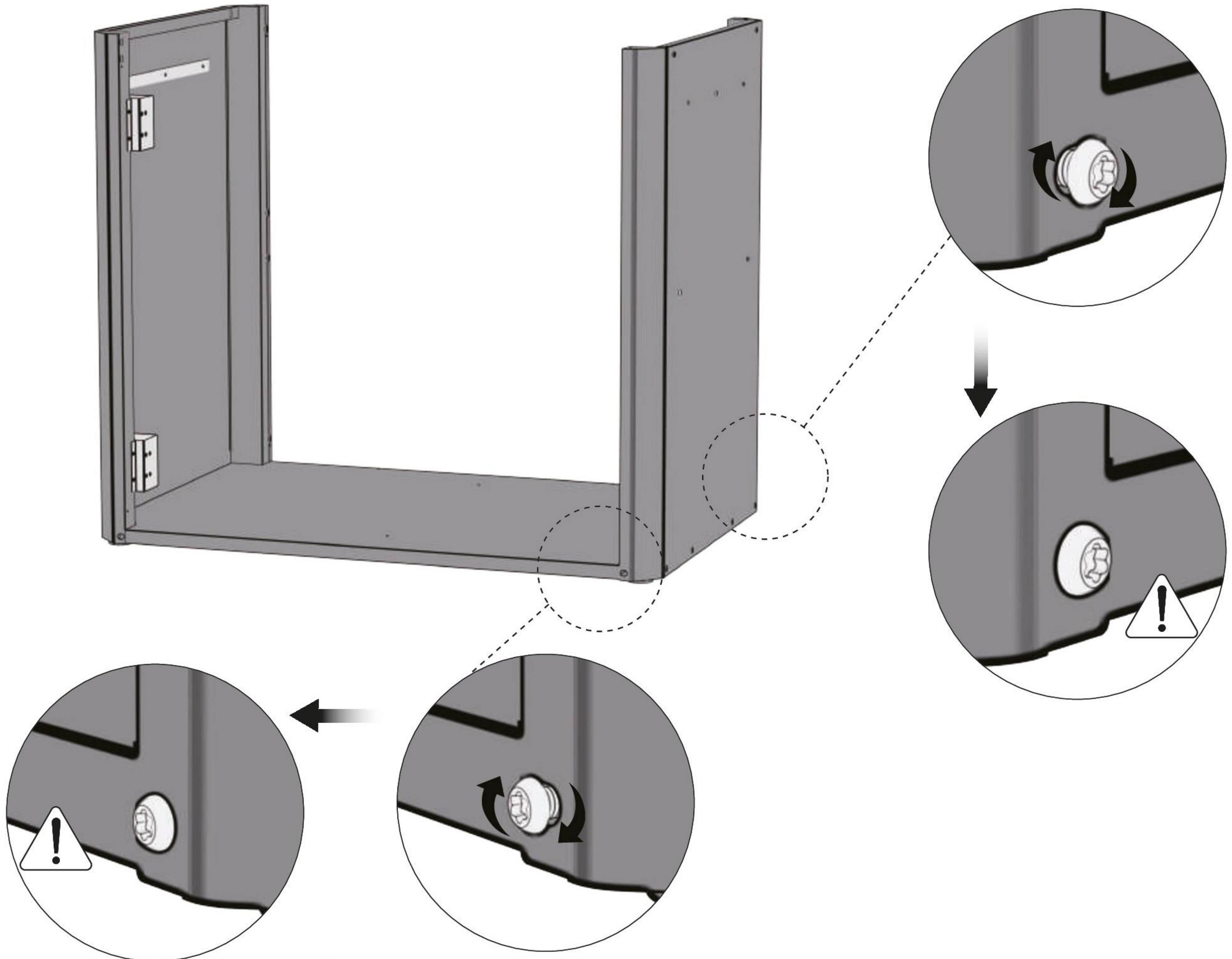


J	M6X16 	4pcs.
---	--	-------

8



9



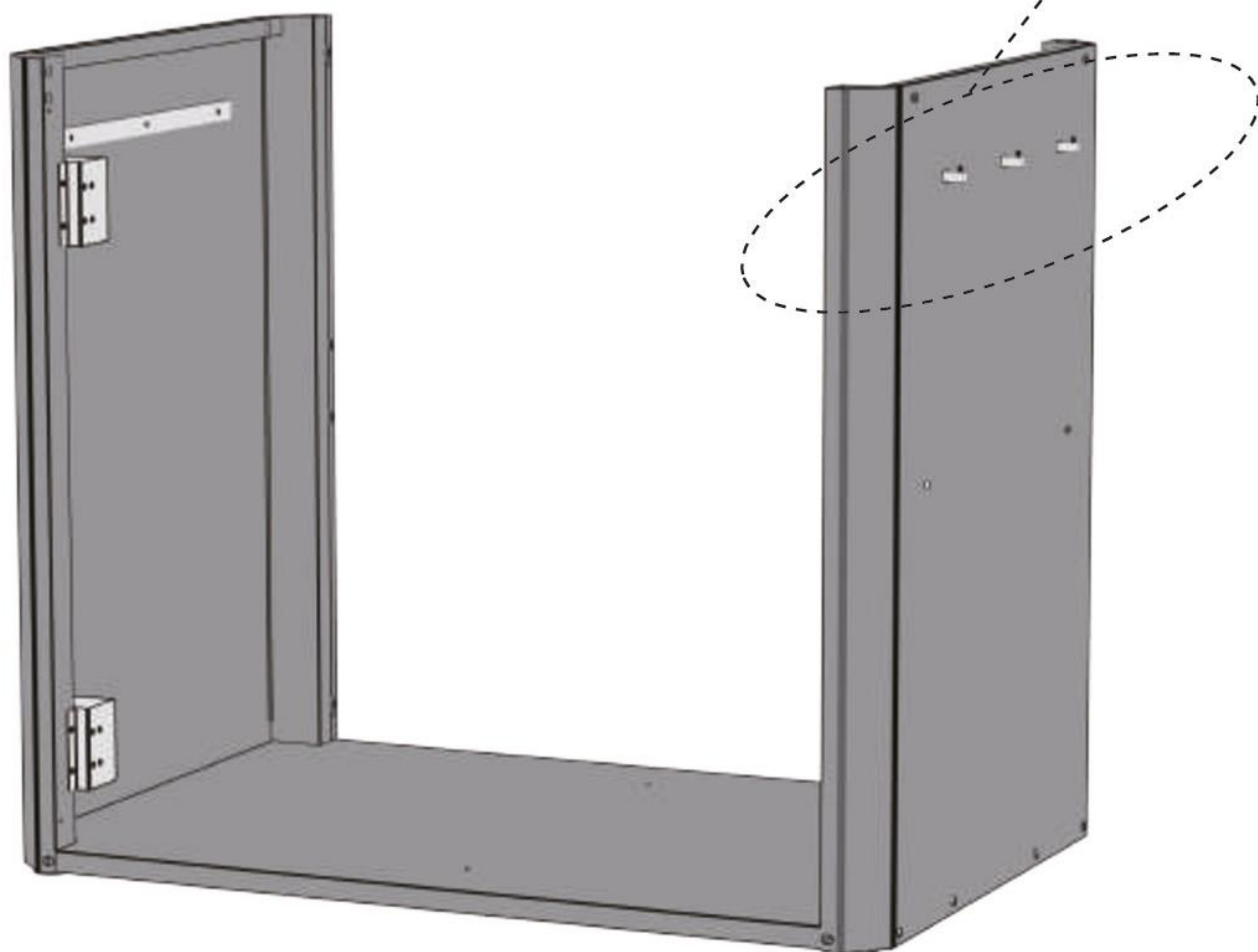
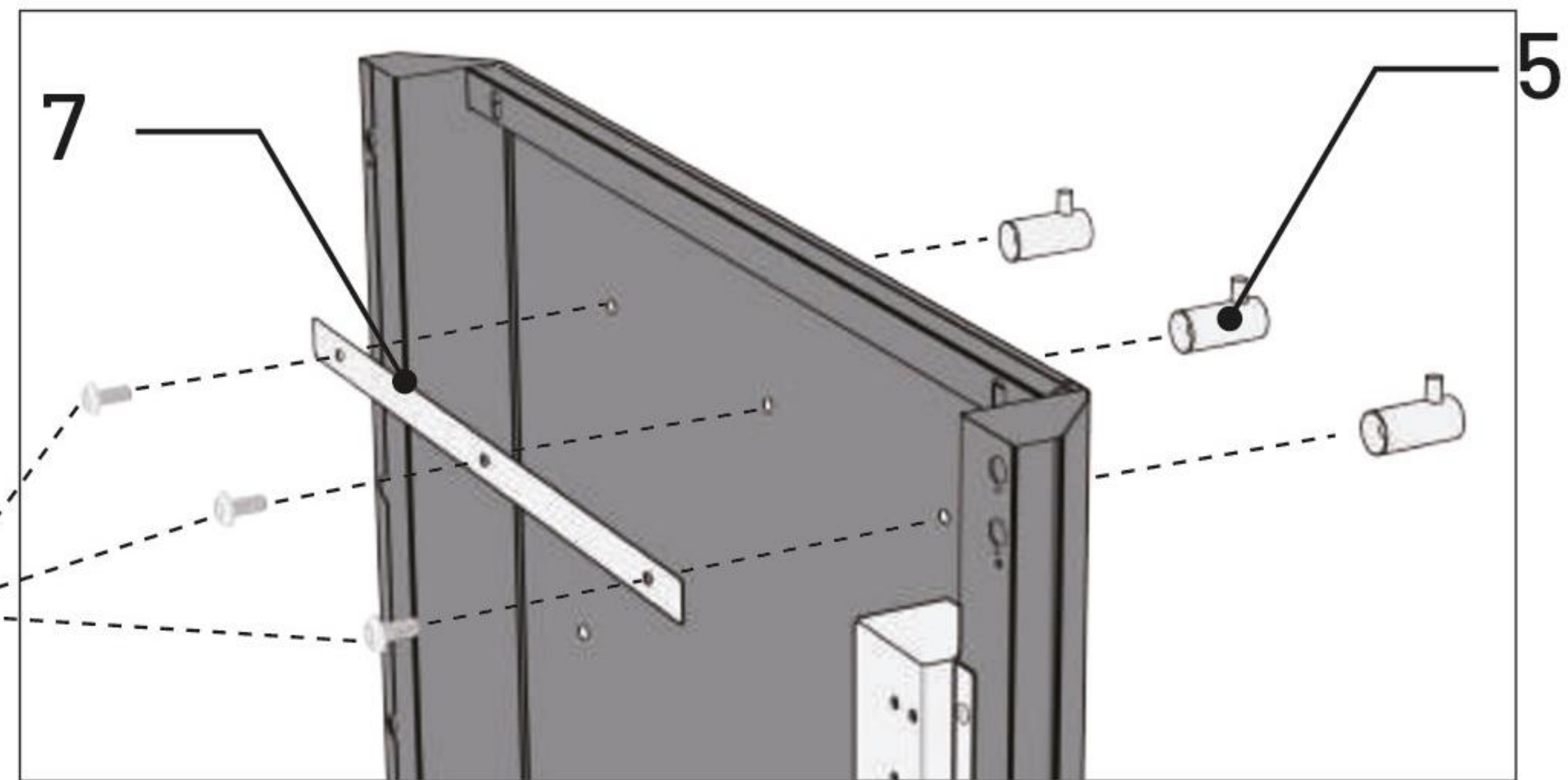
M4X8-SS



1



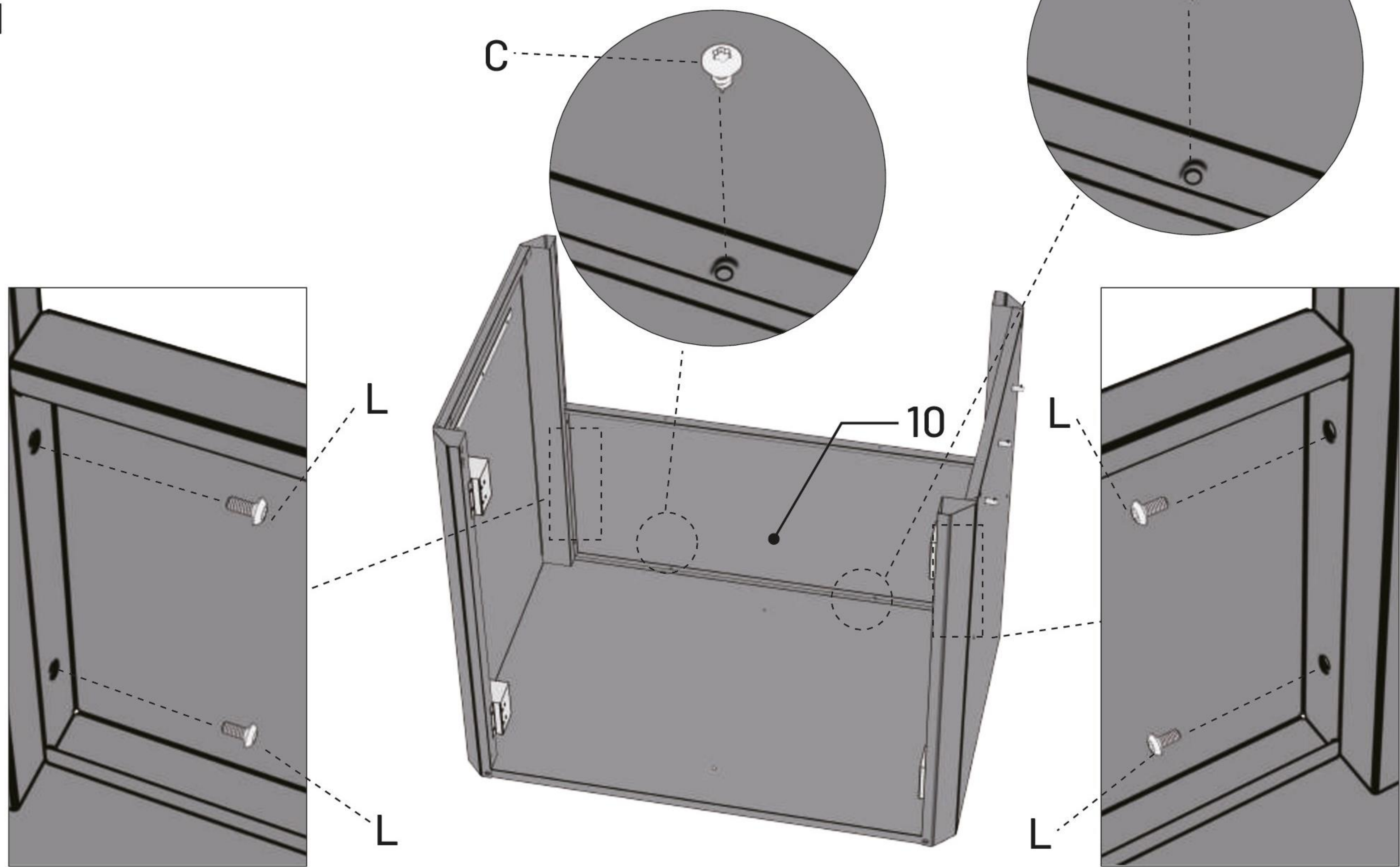
3pcs.



10



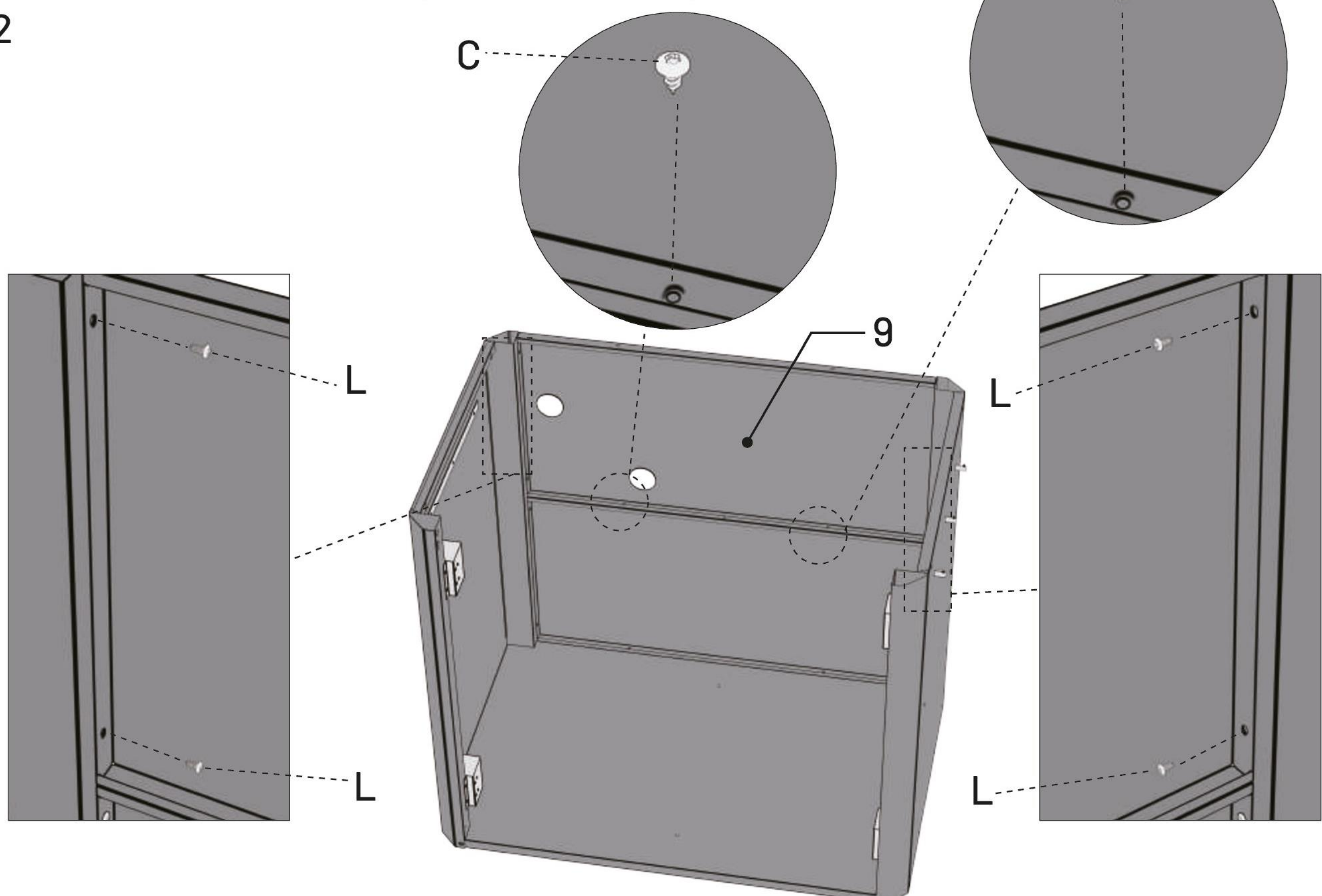
C	ST4.2X10	2pcs.	L	M4X8	4pcs.
					


11



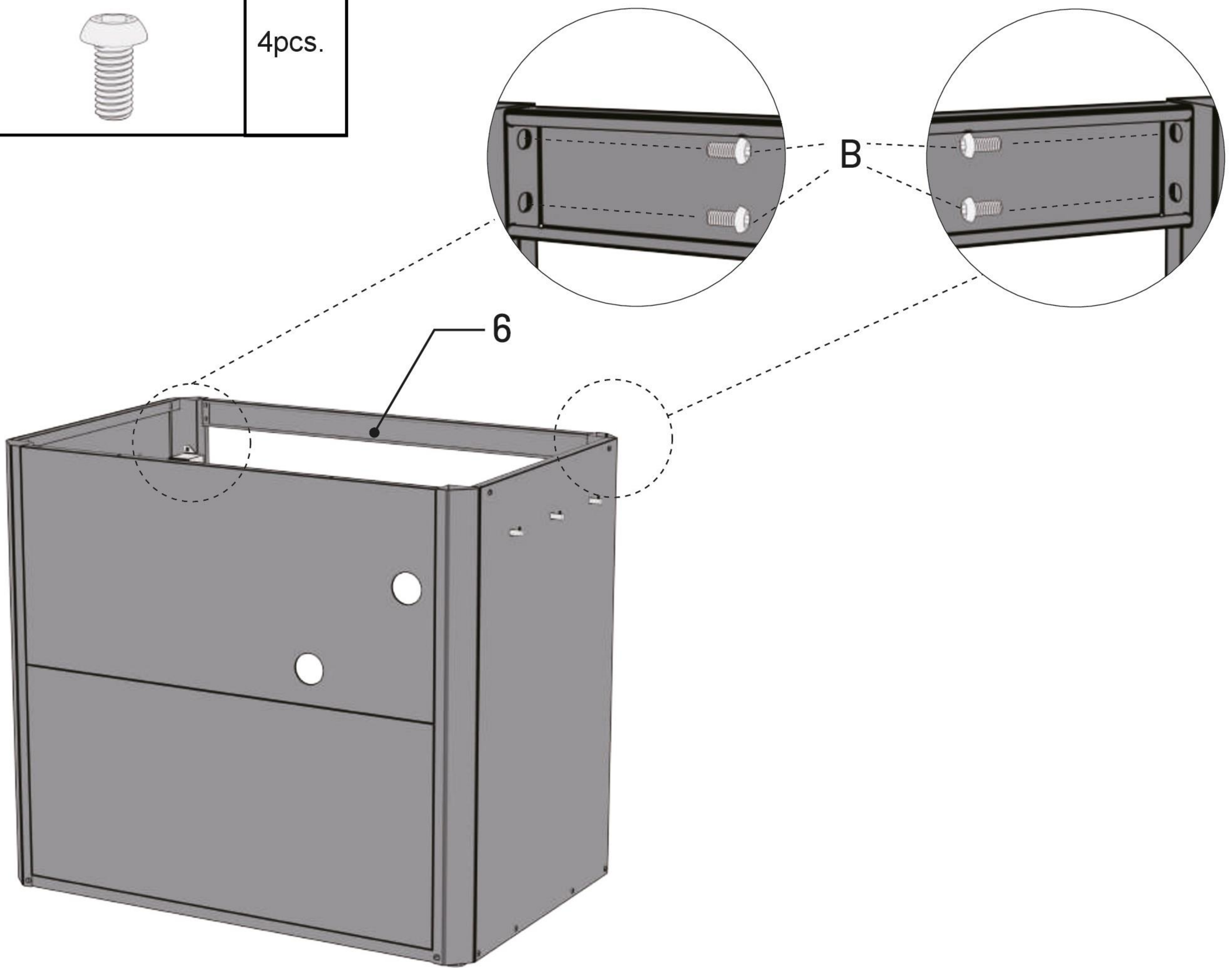
C	ST4.2X10	2pcs.	L	M4X8	4pcs.
					

12

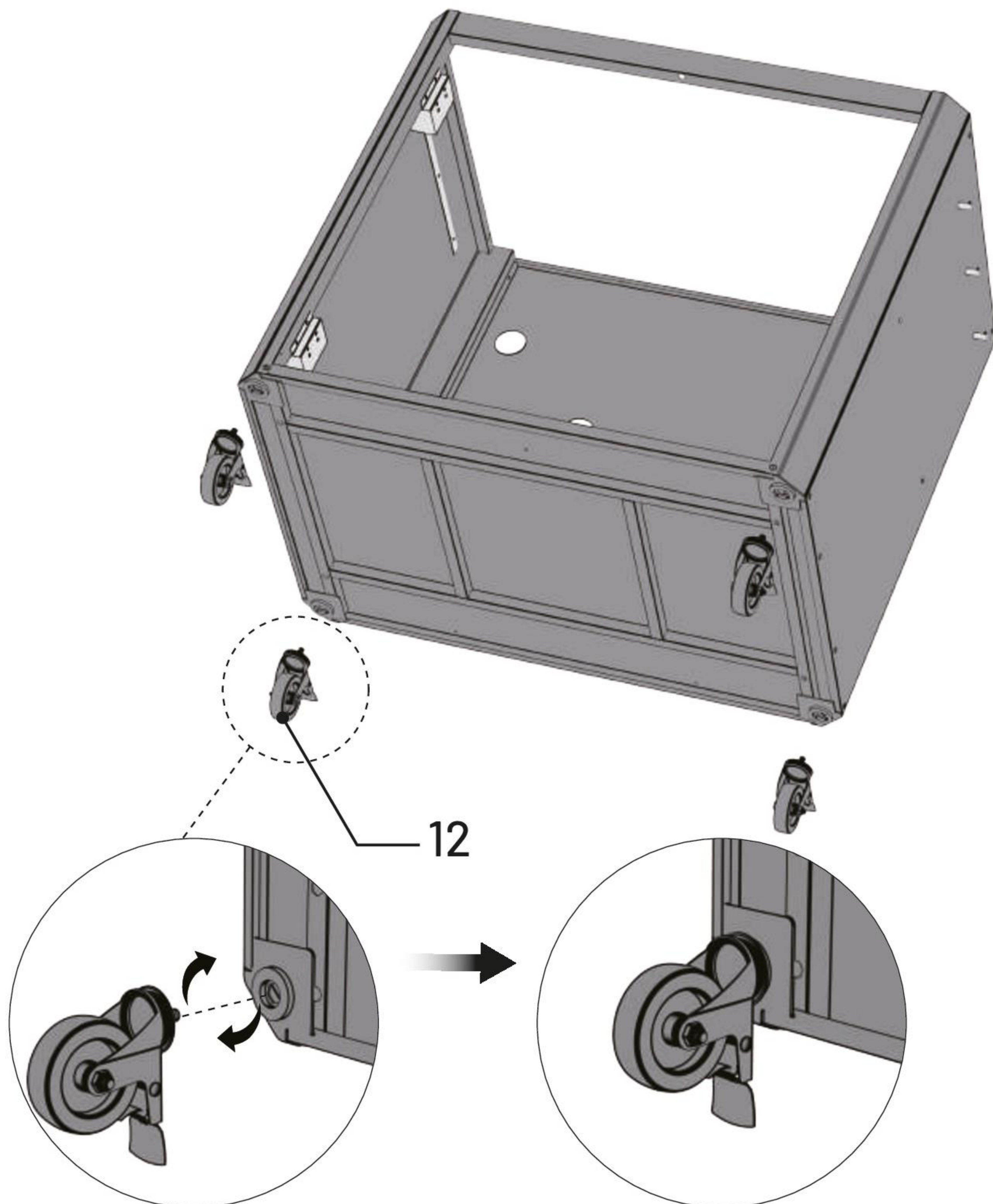



	M6X12	
B		4pcs.

13

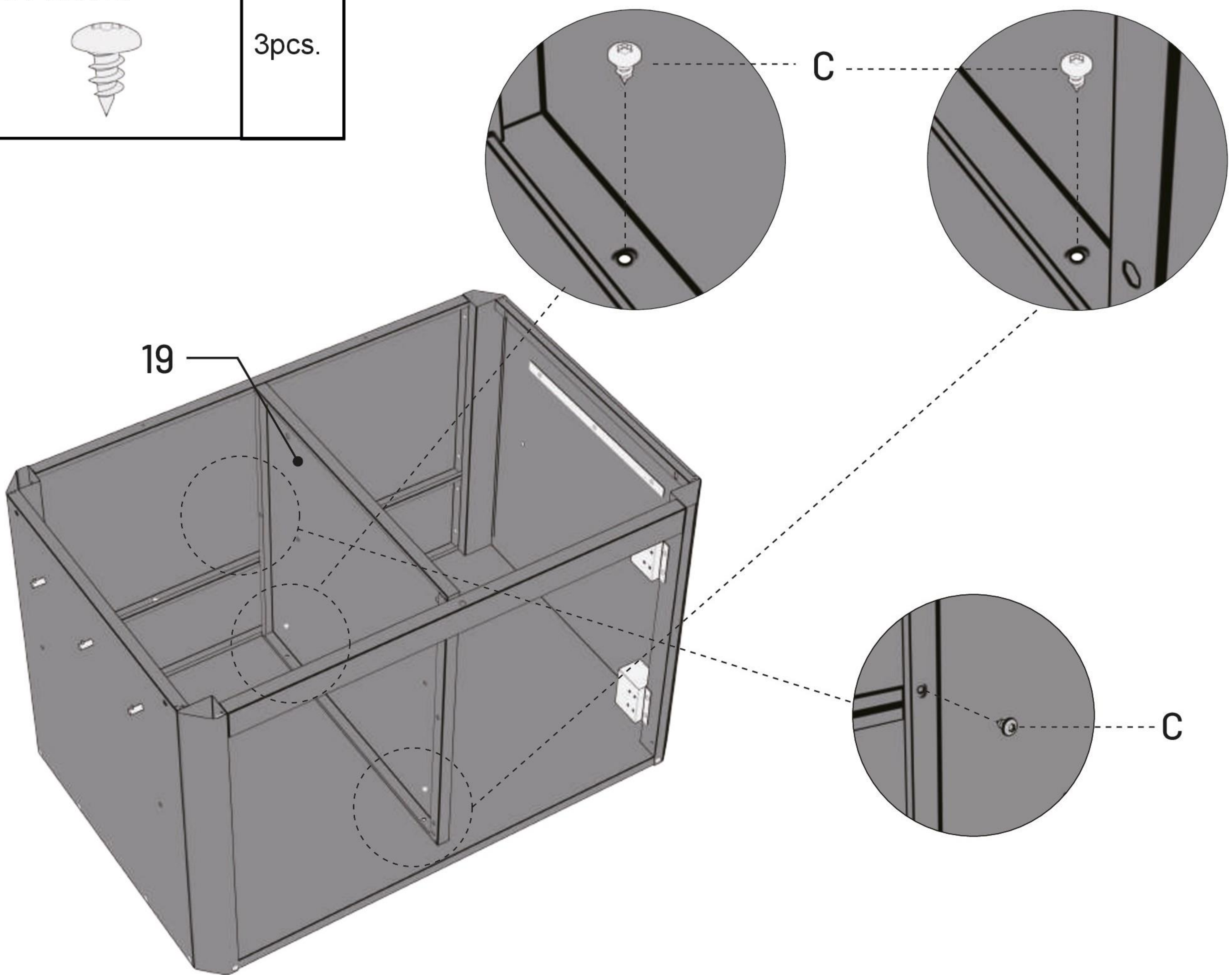



14



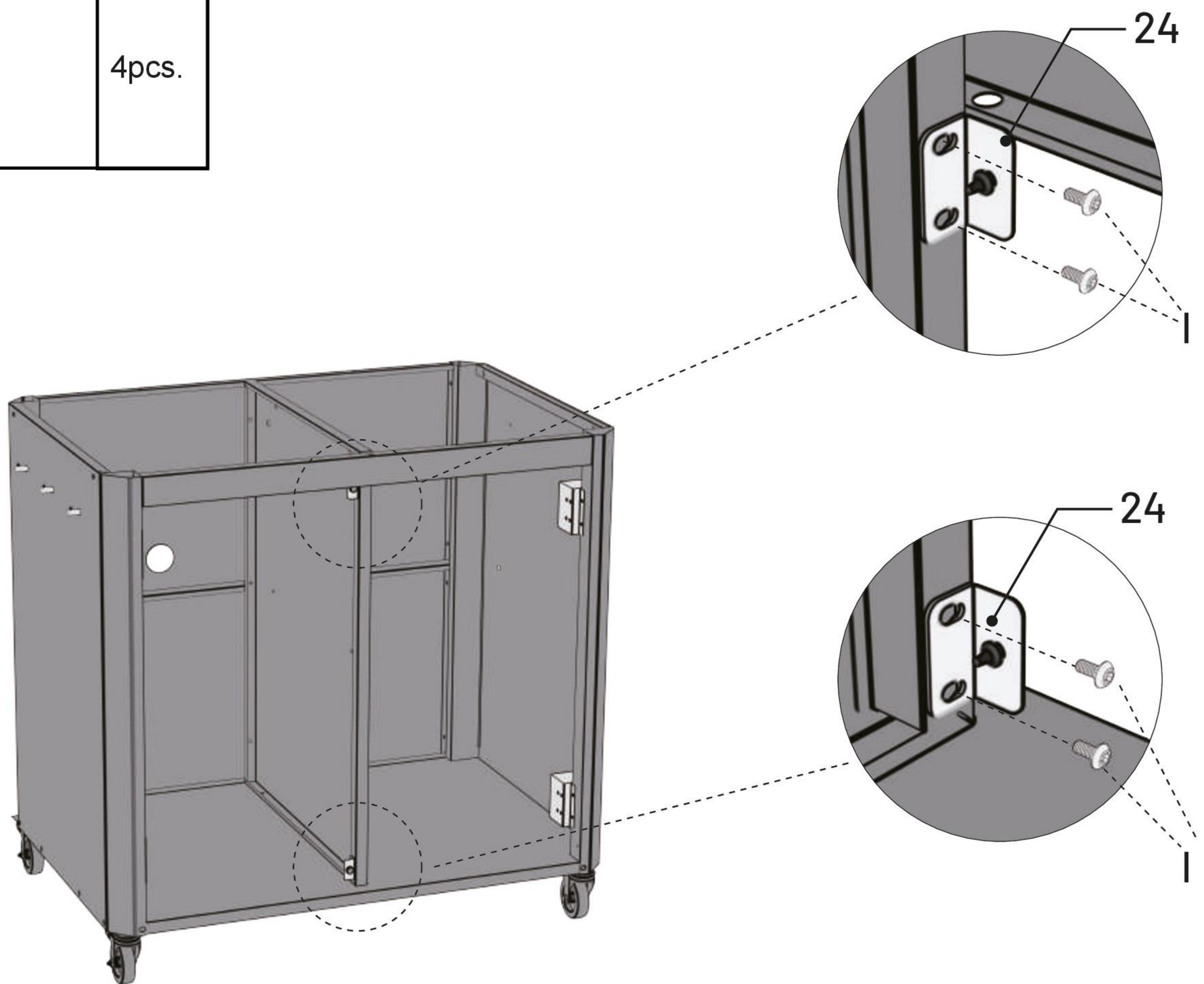
	ST4.2X10	
C		3pcs.


15



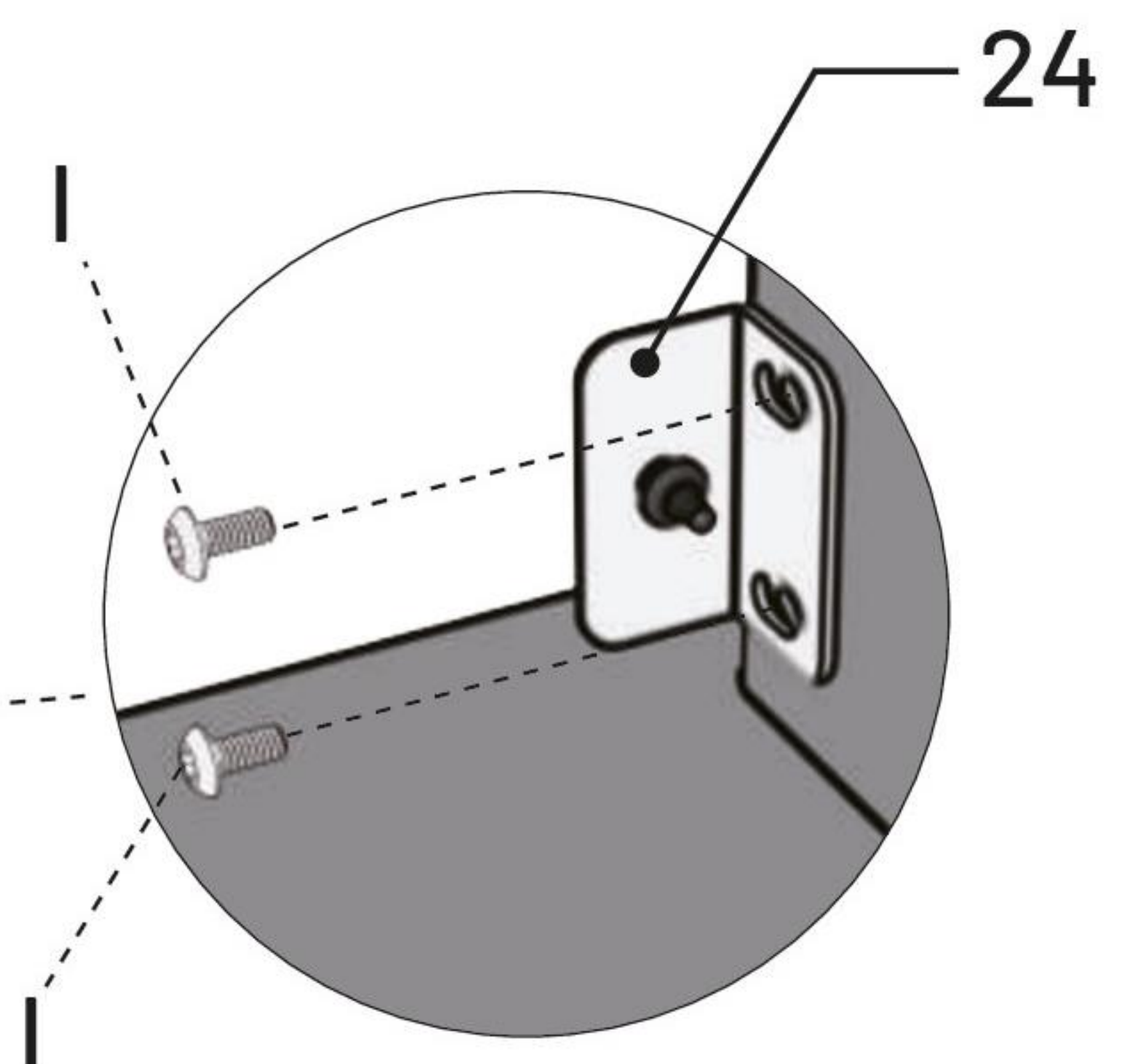
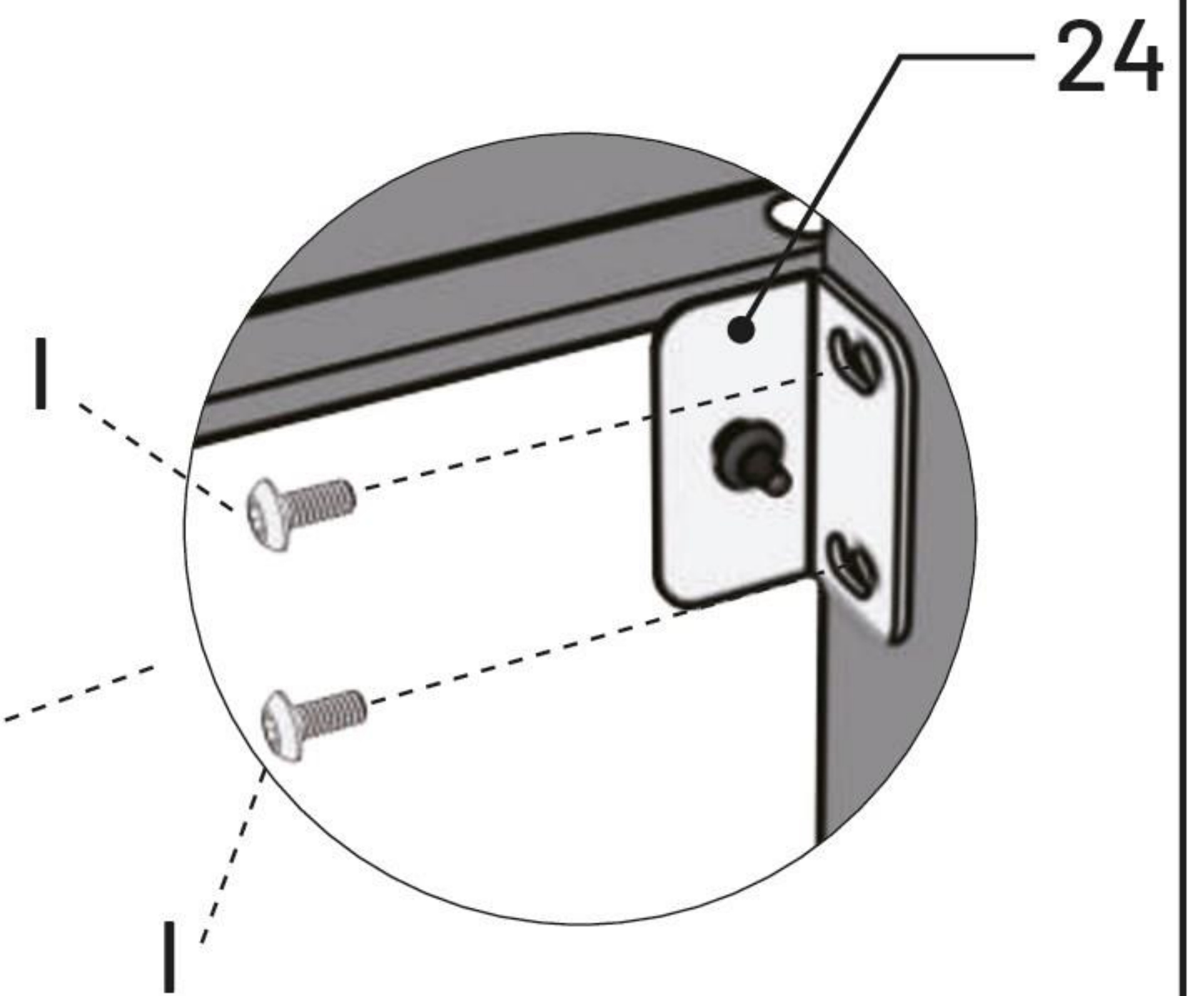
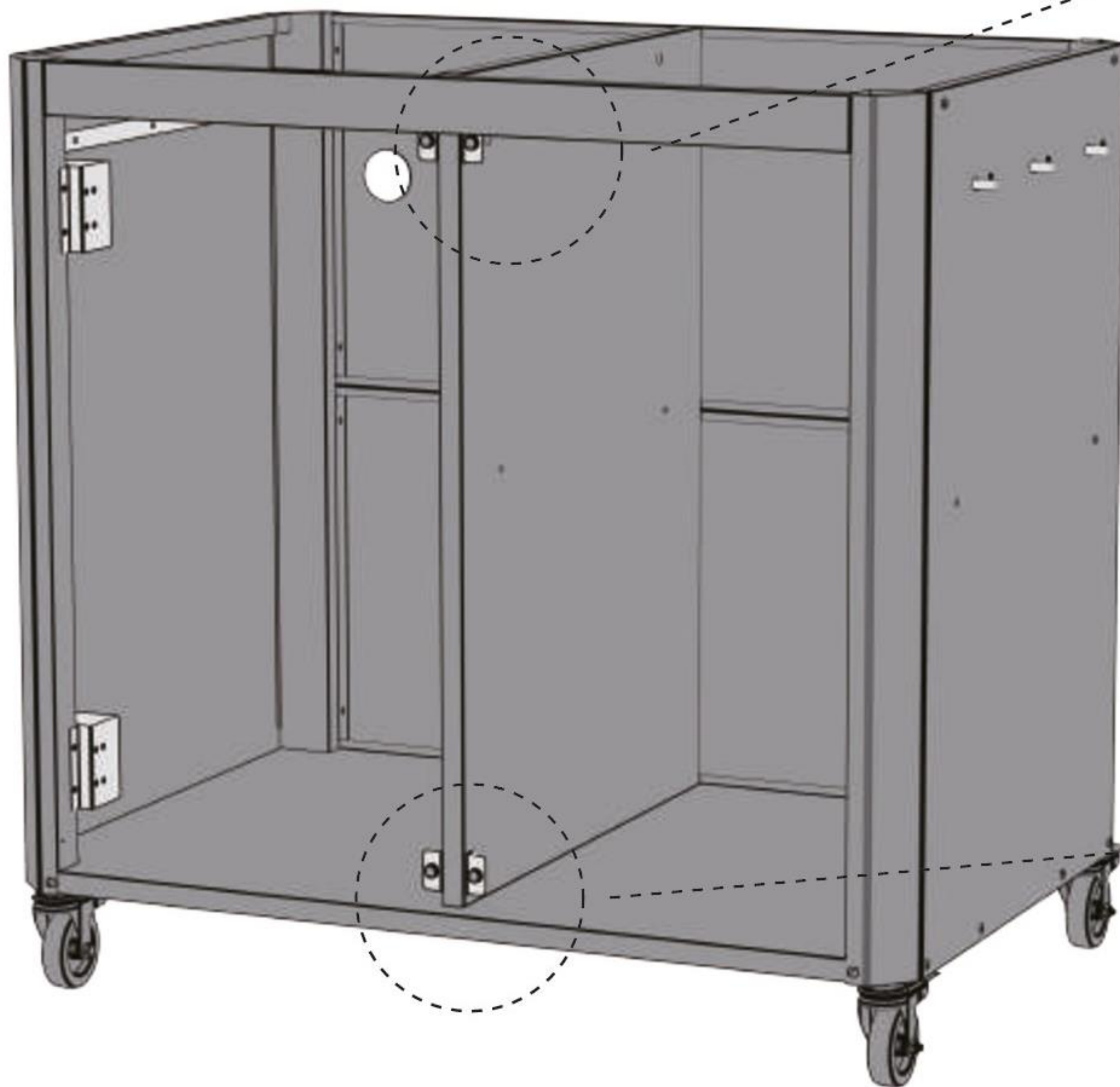
	M4X8-SS	
I		4pcs.

16



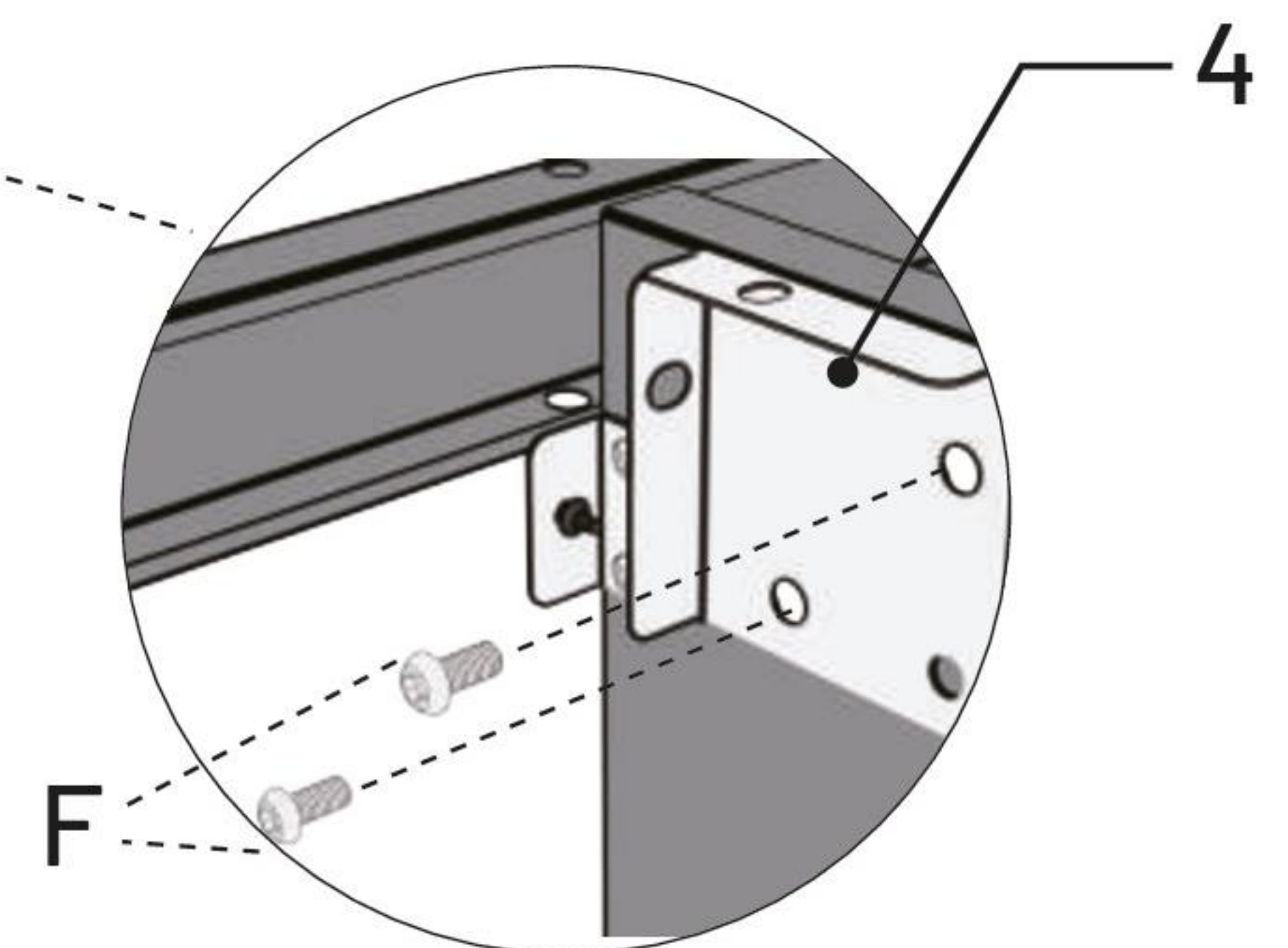
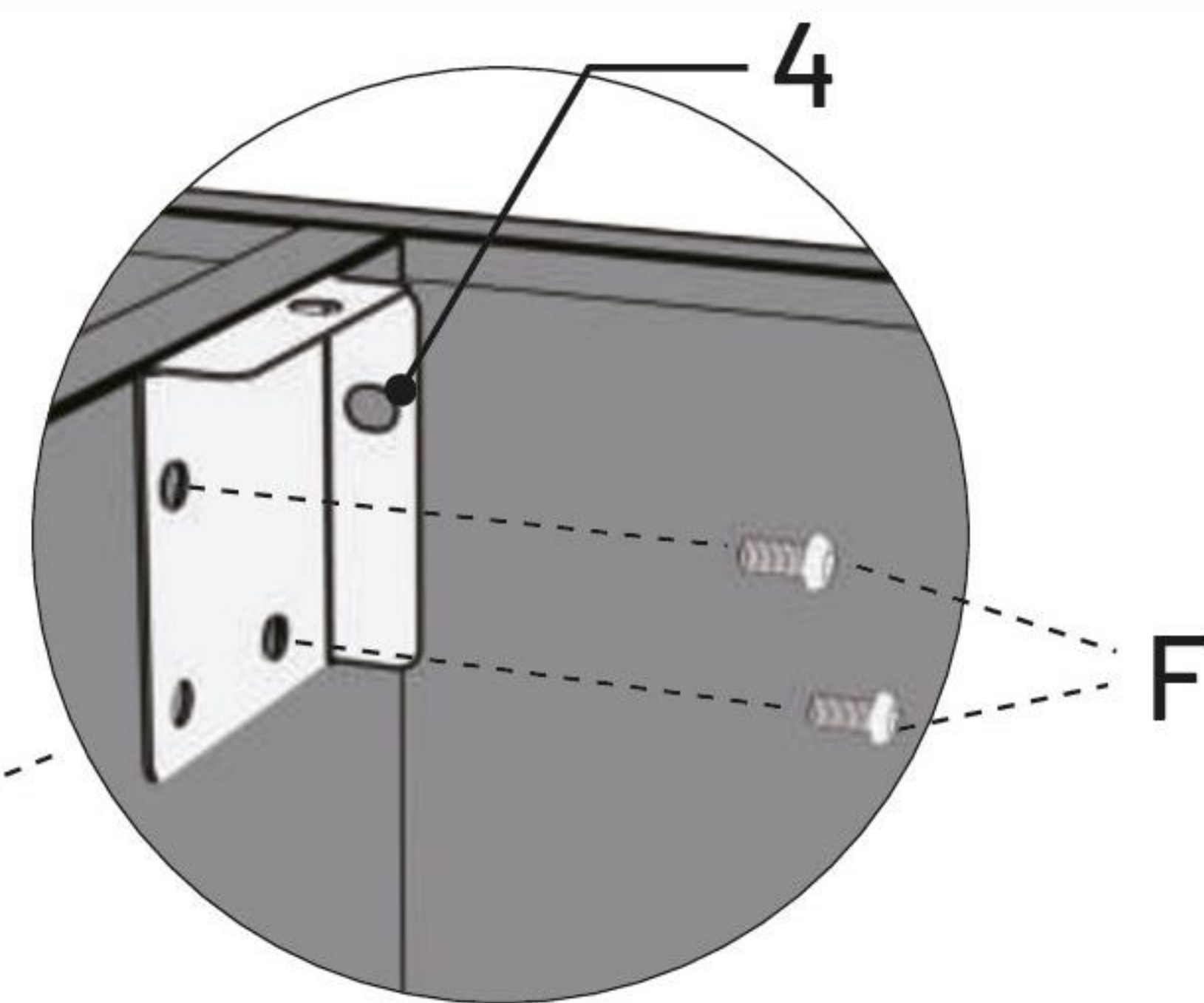
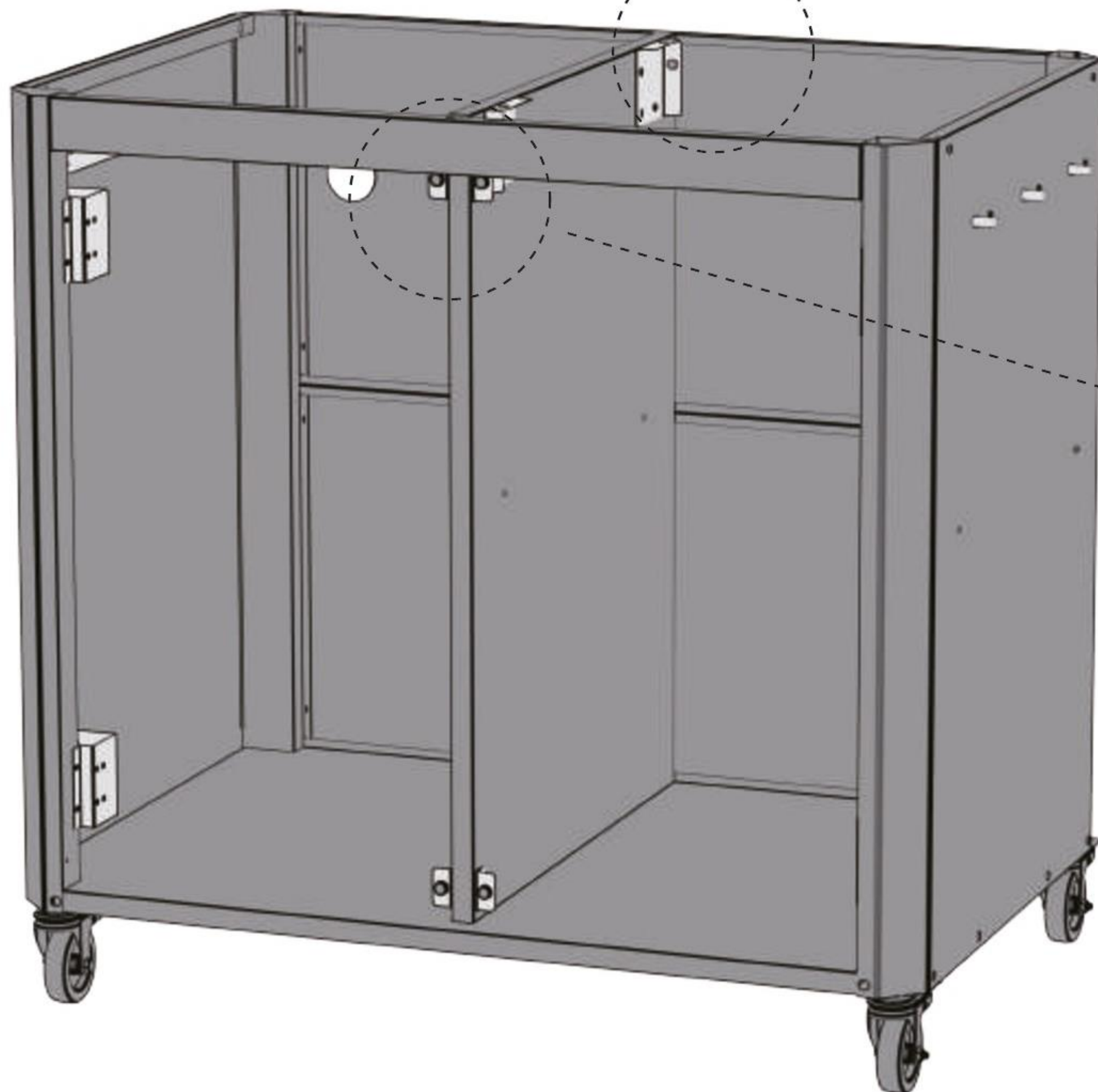
I	M4X8-SS 	4pcs.
---	--	-------

17



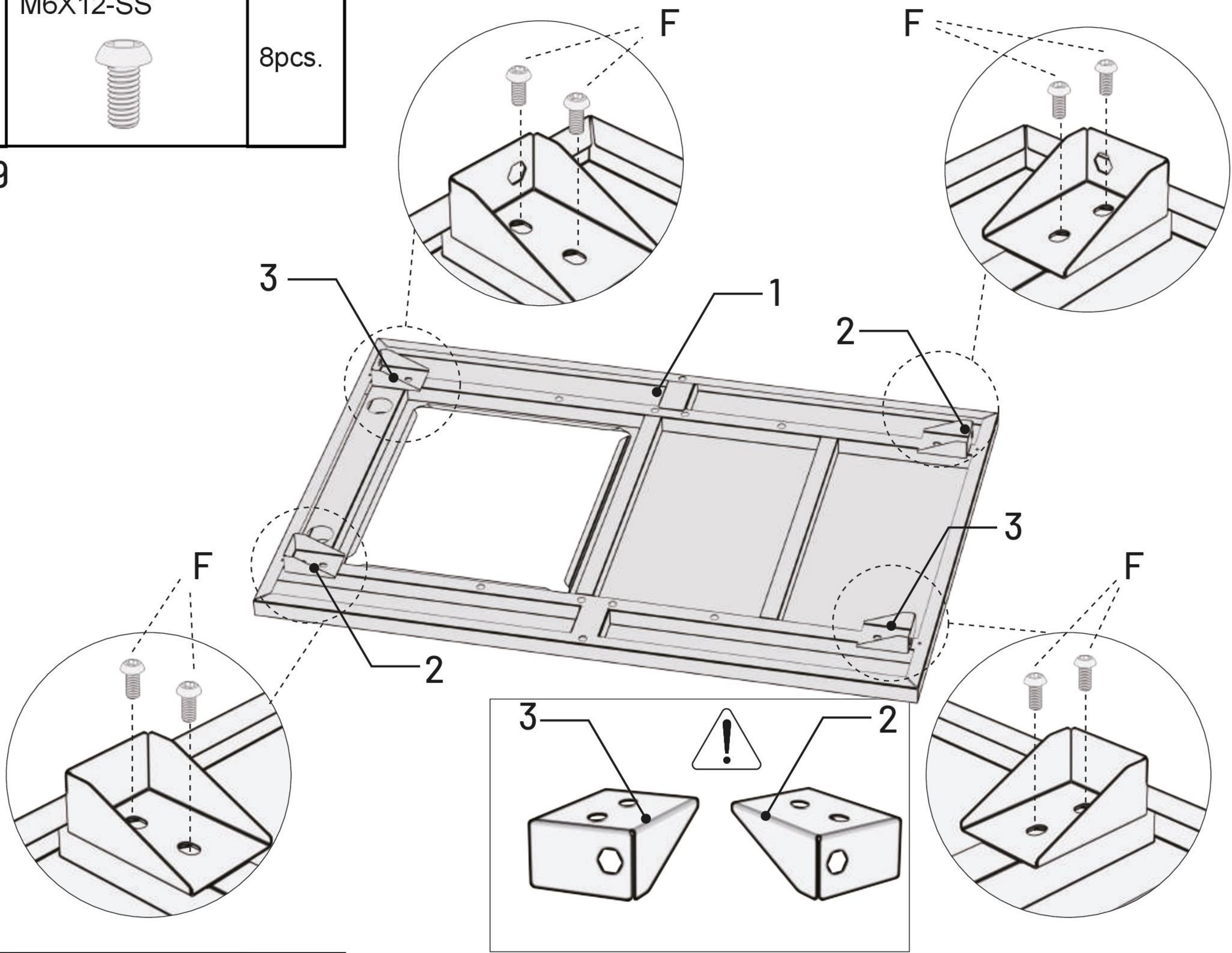
F	M6X12-SS 	4pcs.
---	---	-------


18



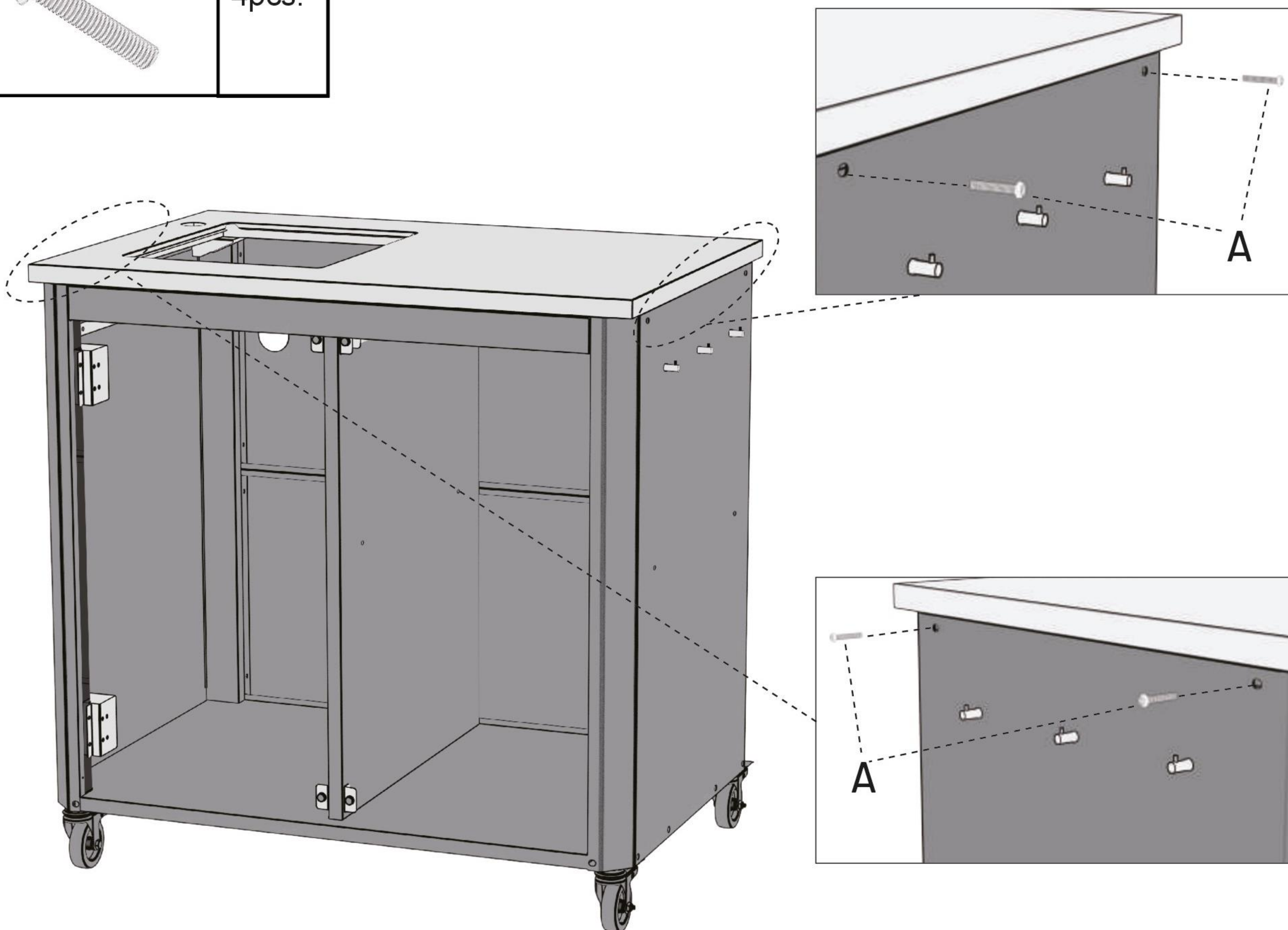
	M6X12-SS	
F		8pcs.



19



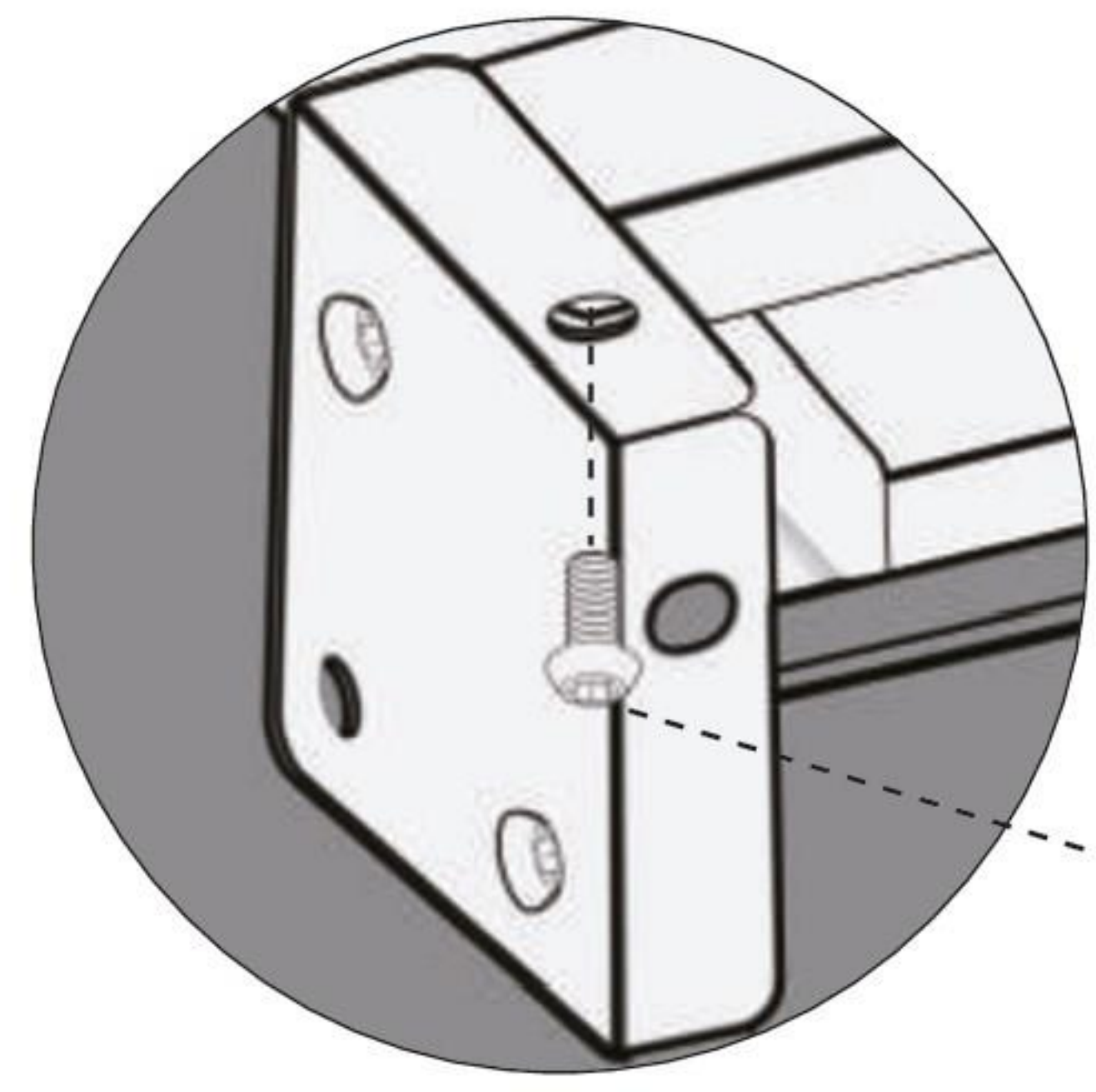
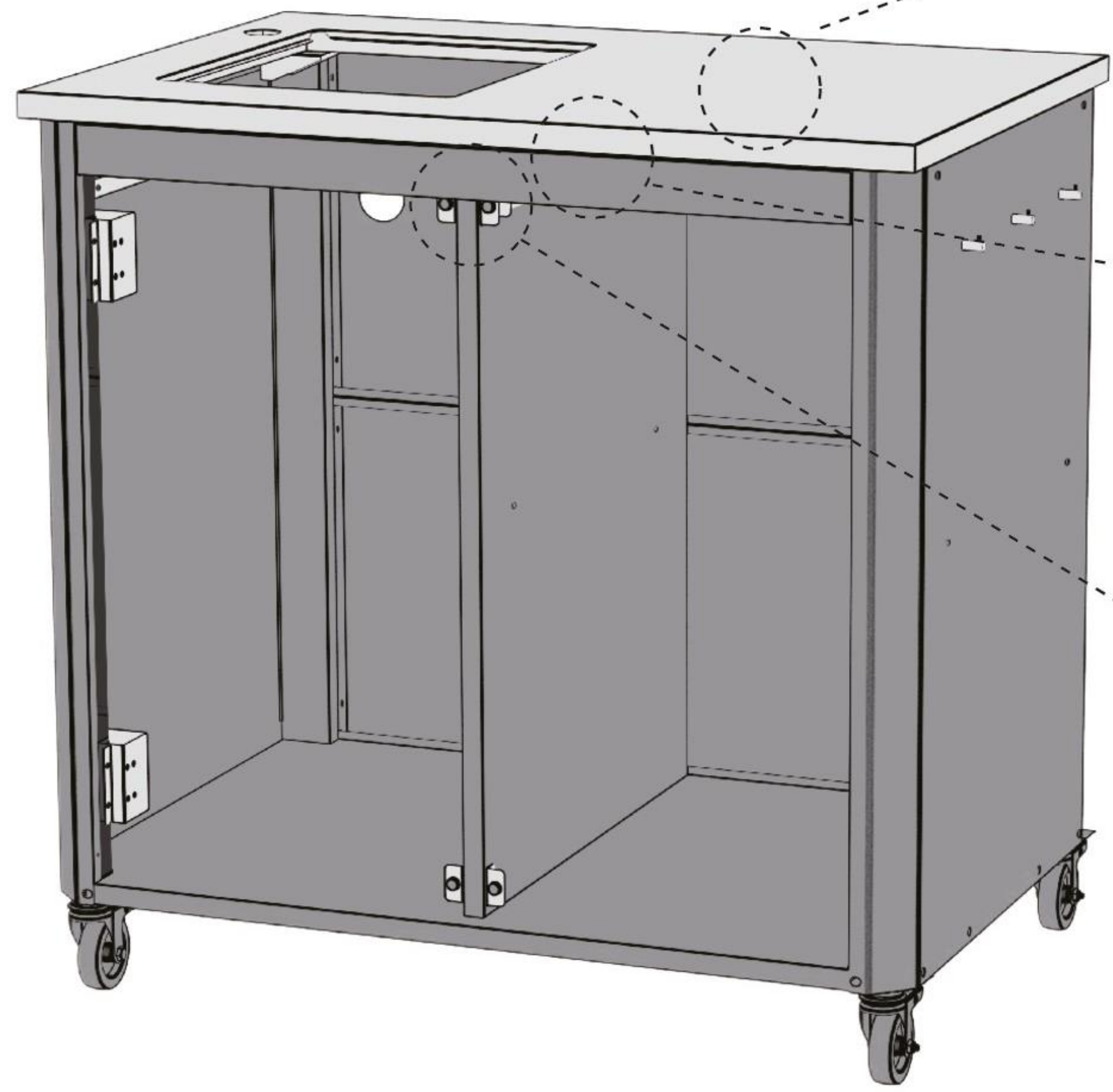
	M6X40	
A		4pcs.

20

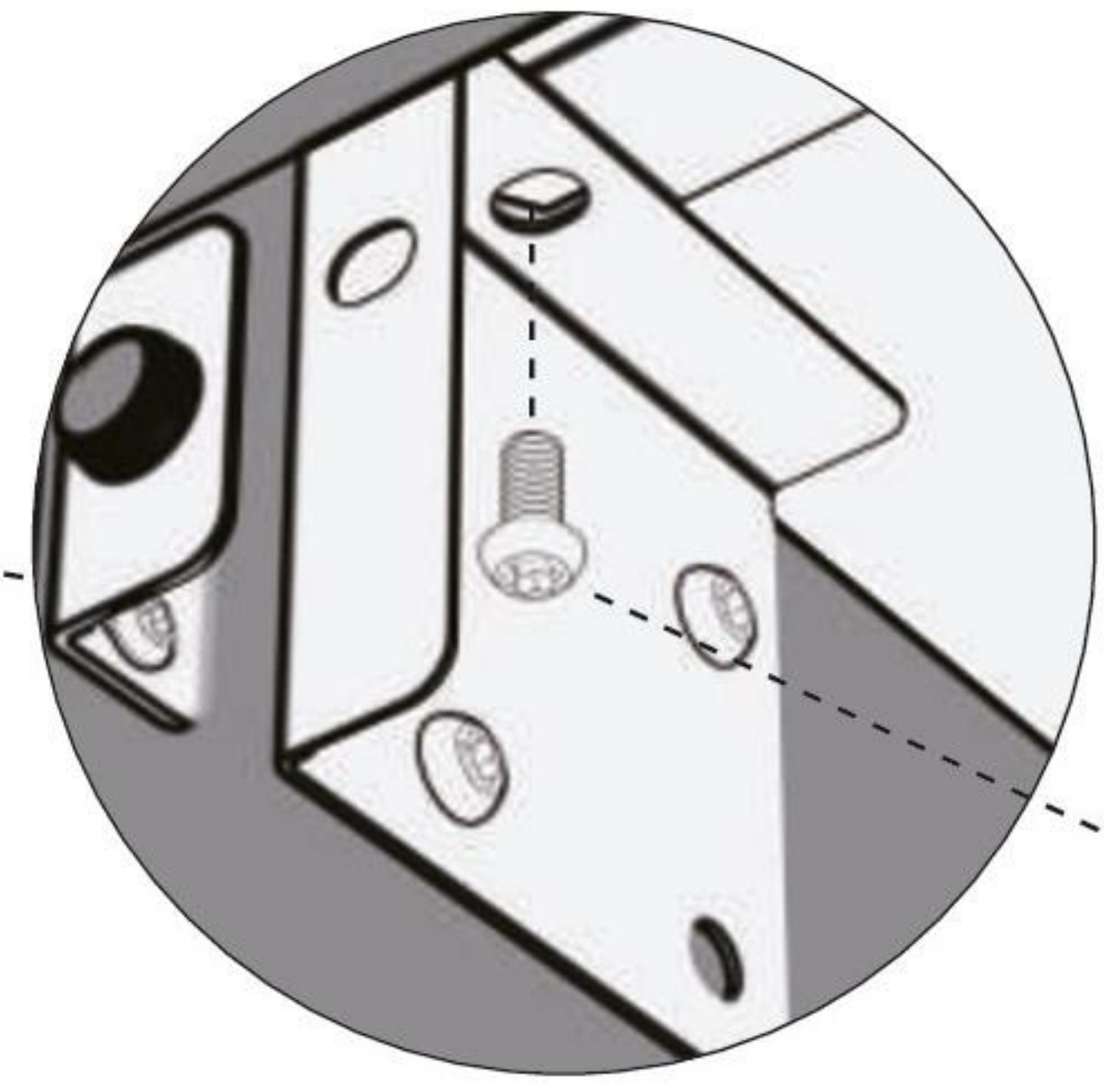


	M6X12-SS			M6X12	
F		2pcs.	B		1pc.

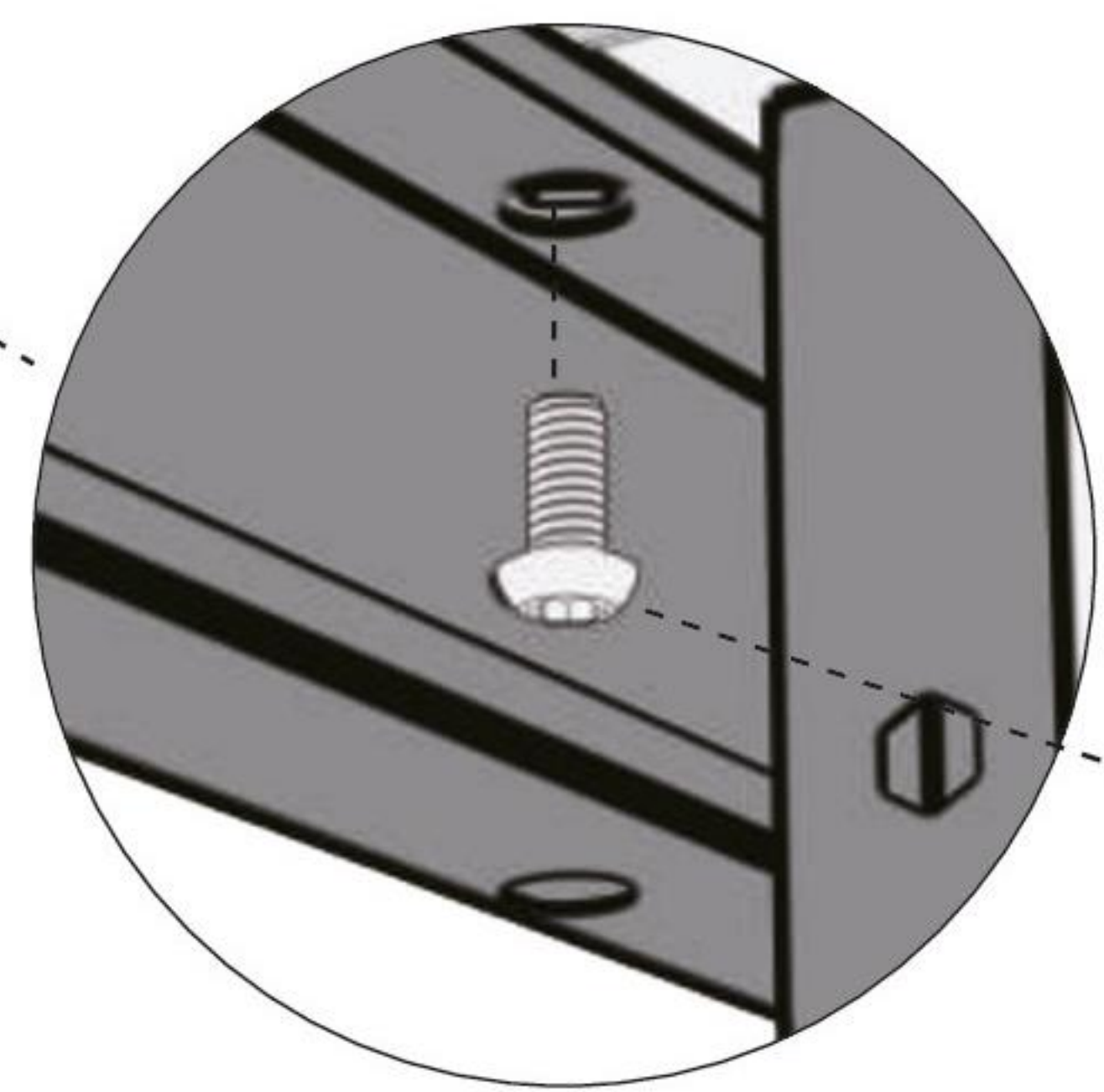
21



F

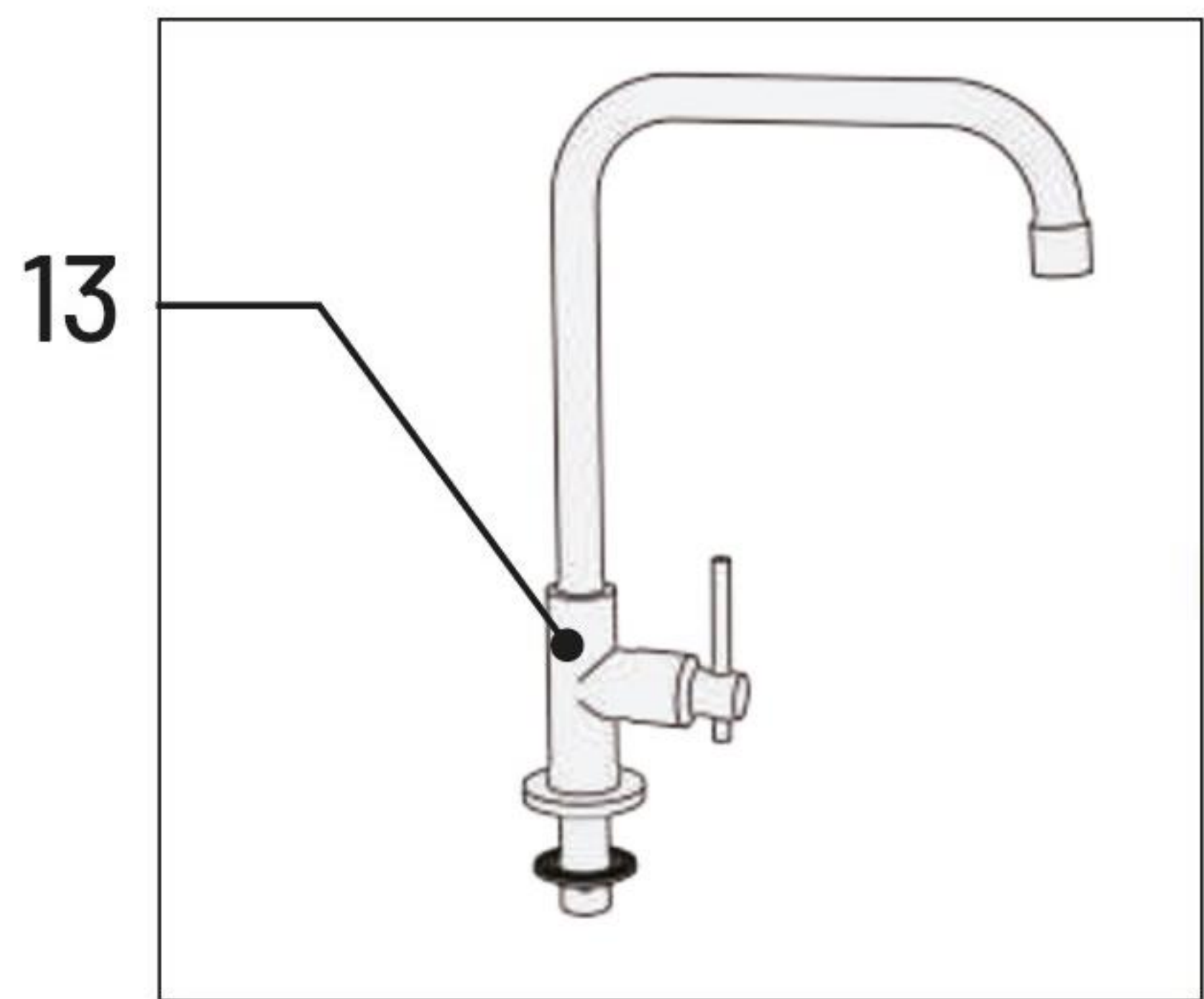


F

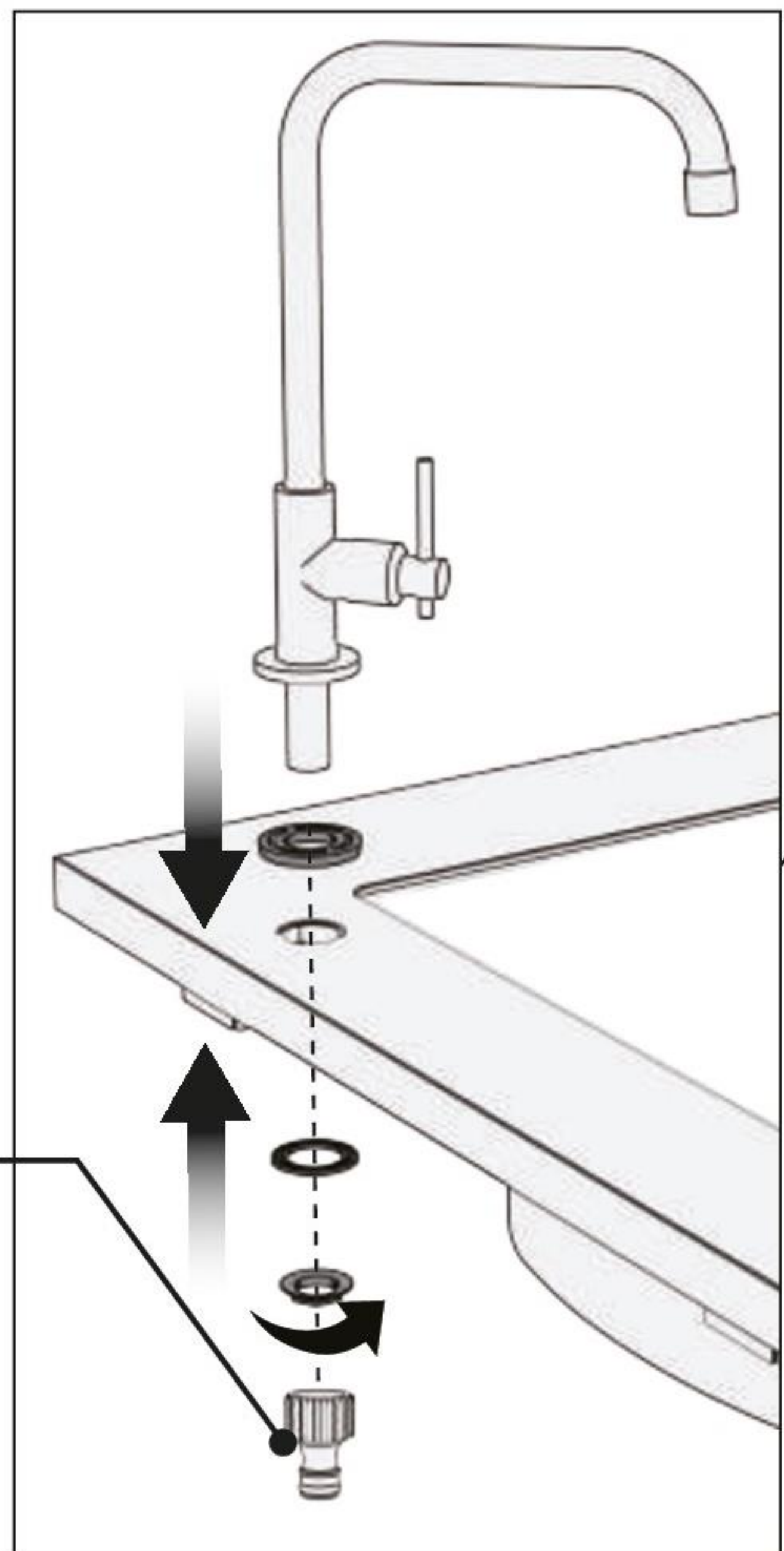
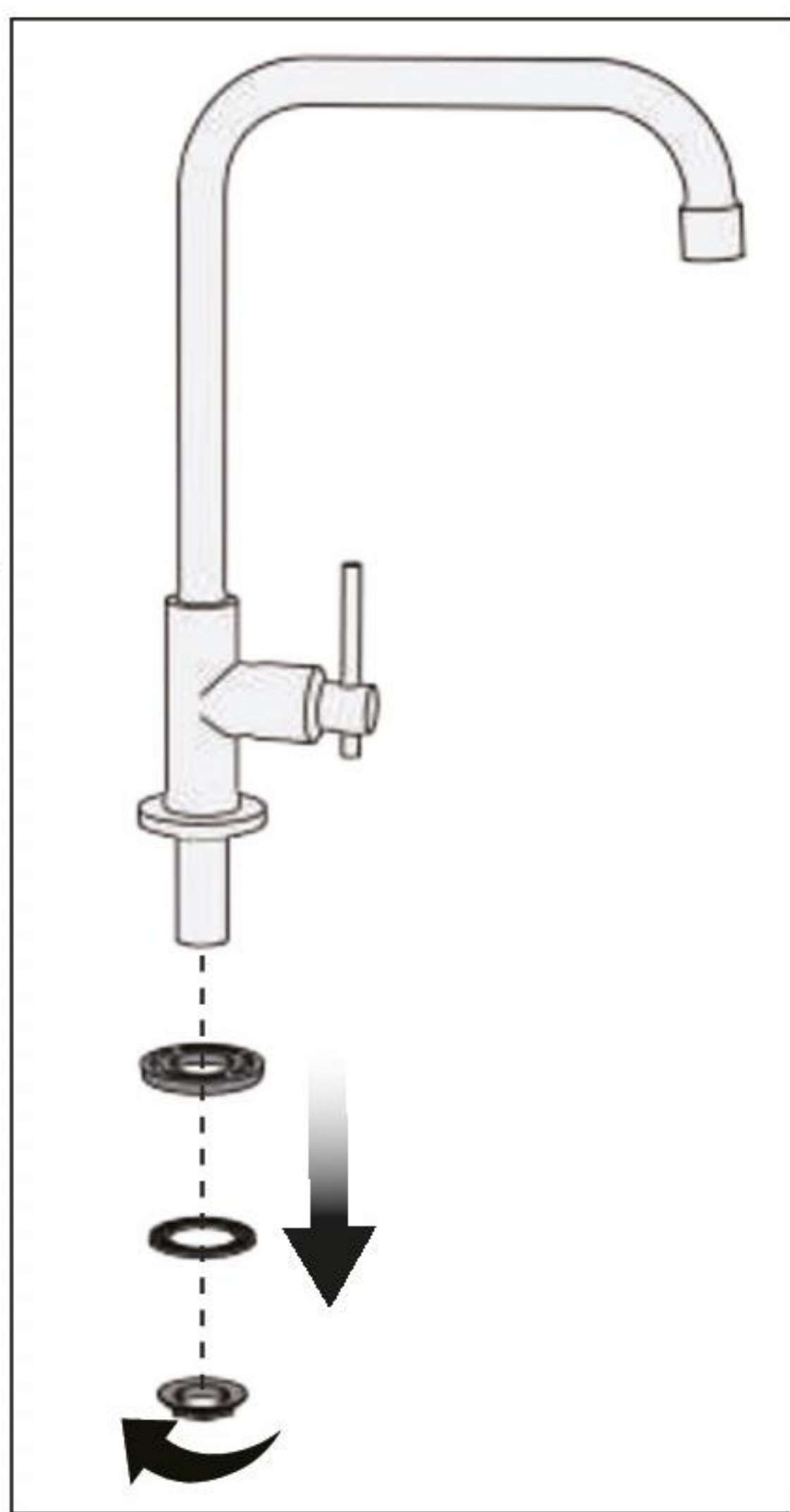


B

22



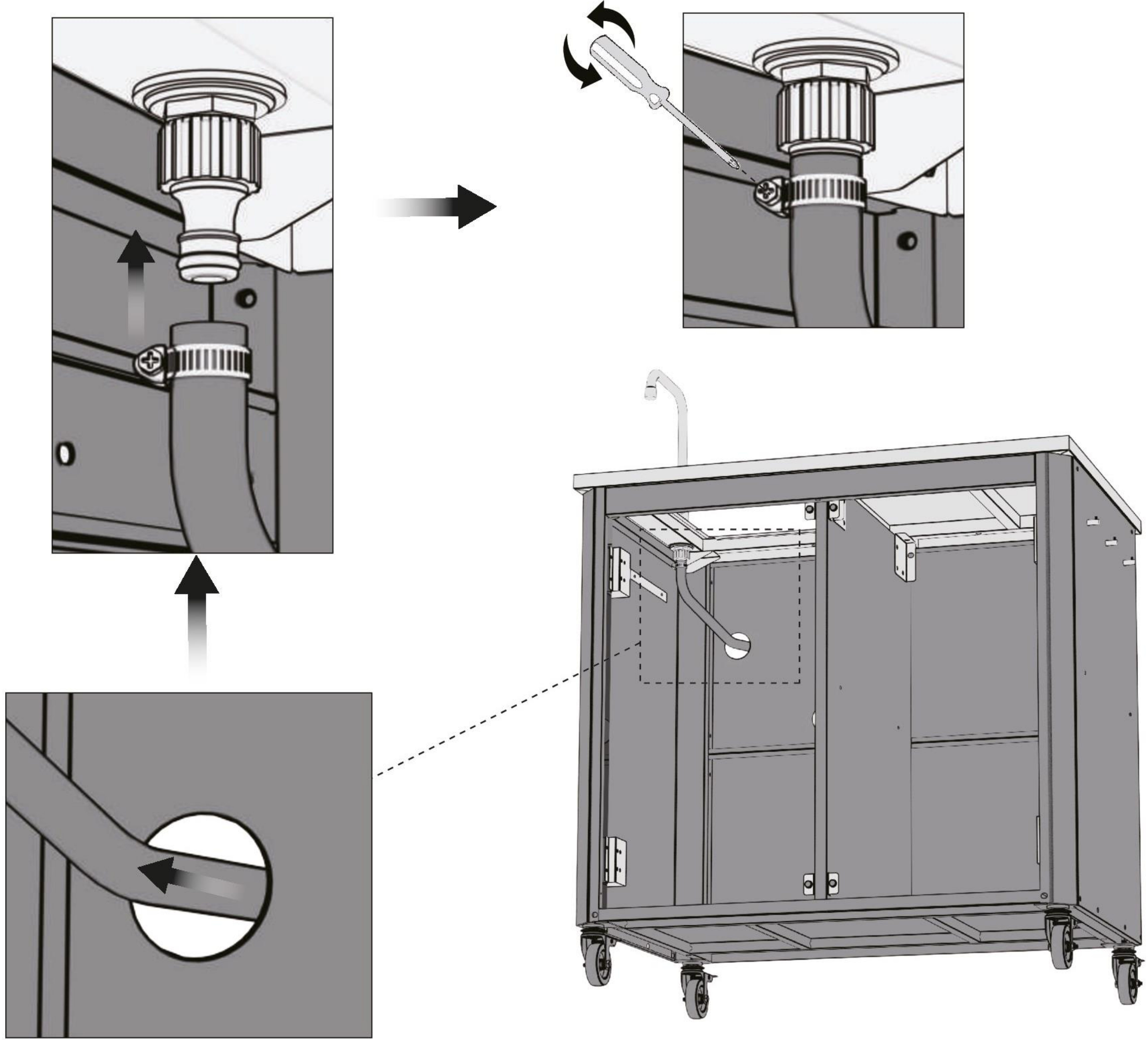
13



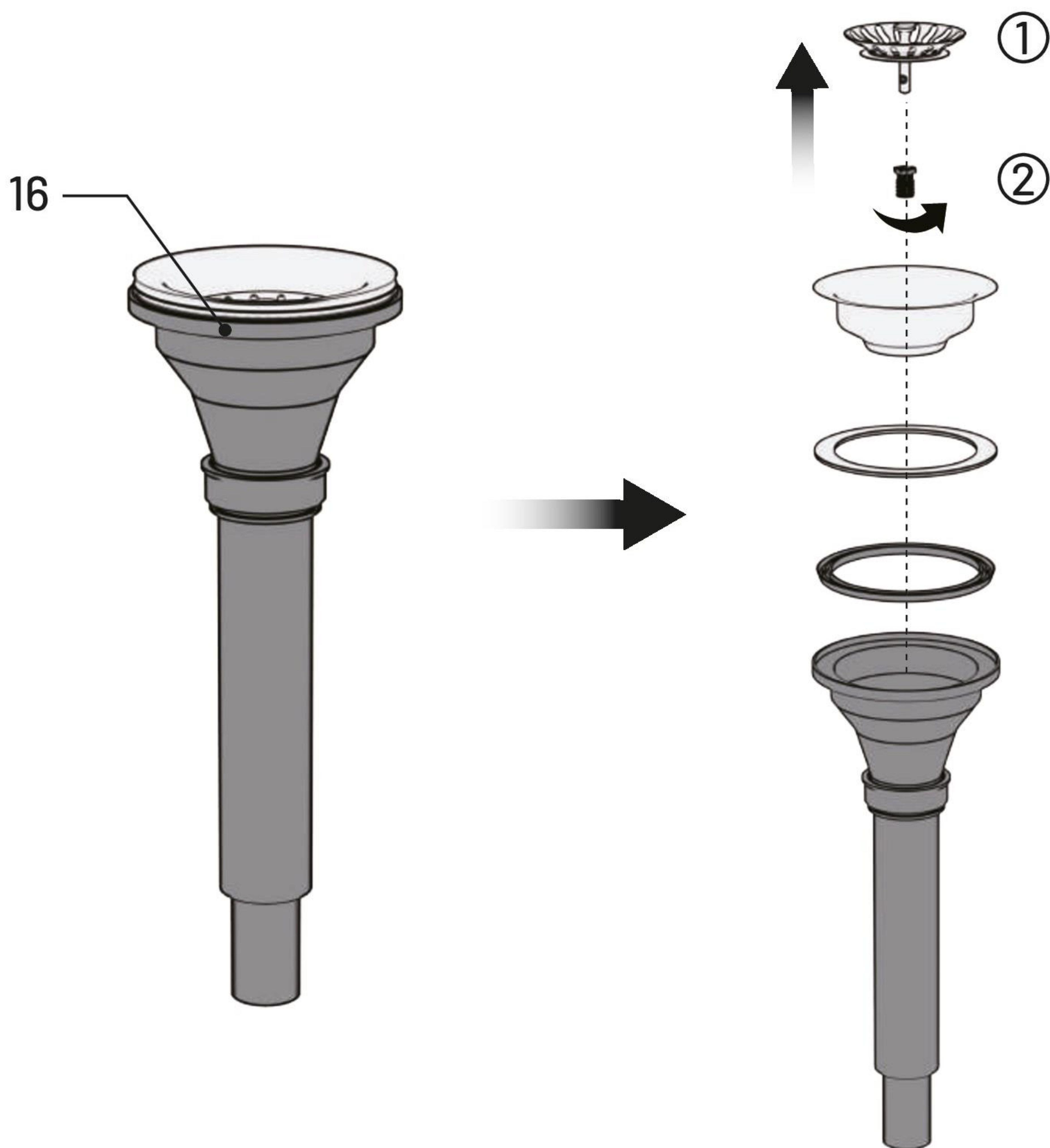
15



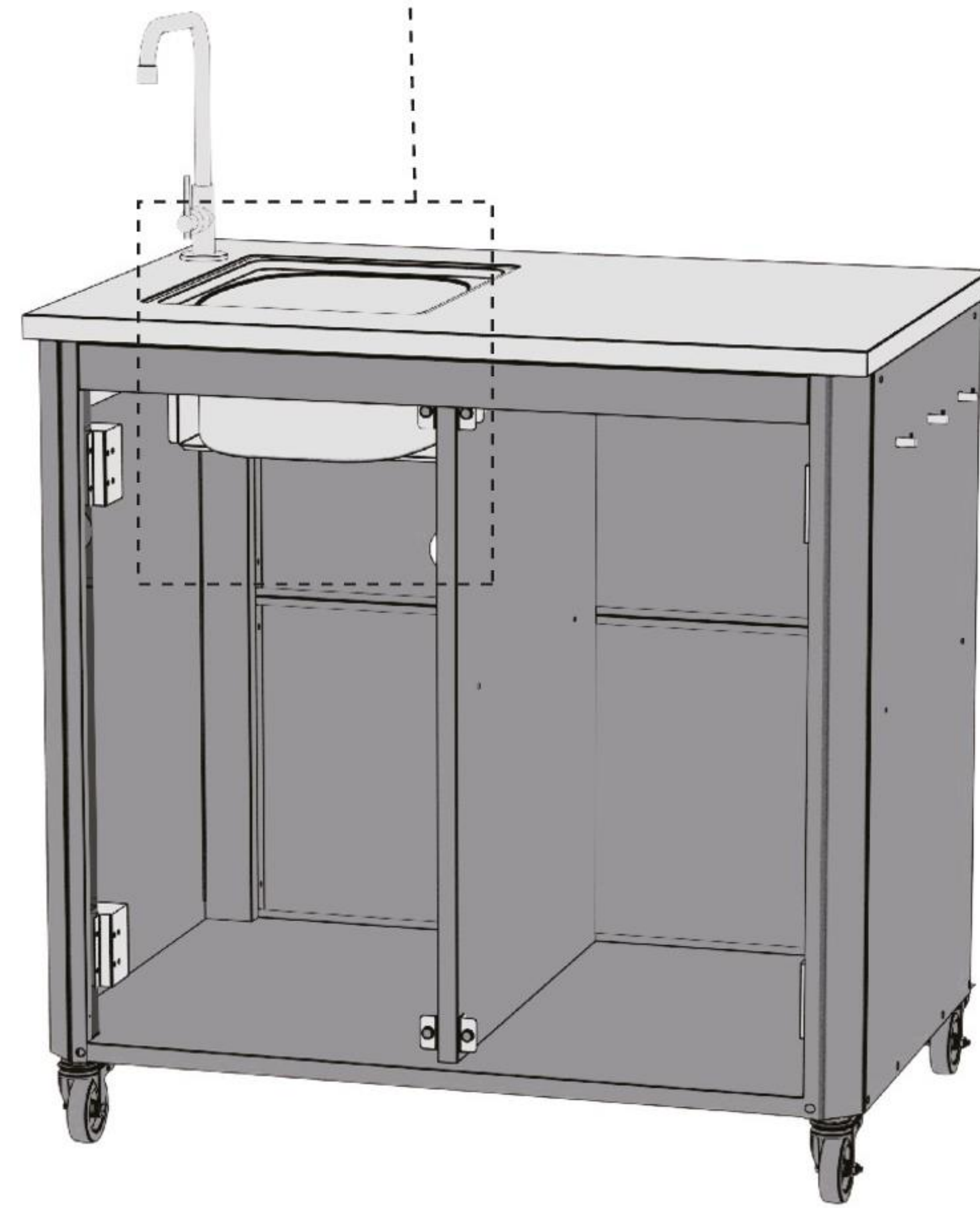
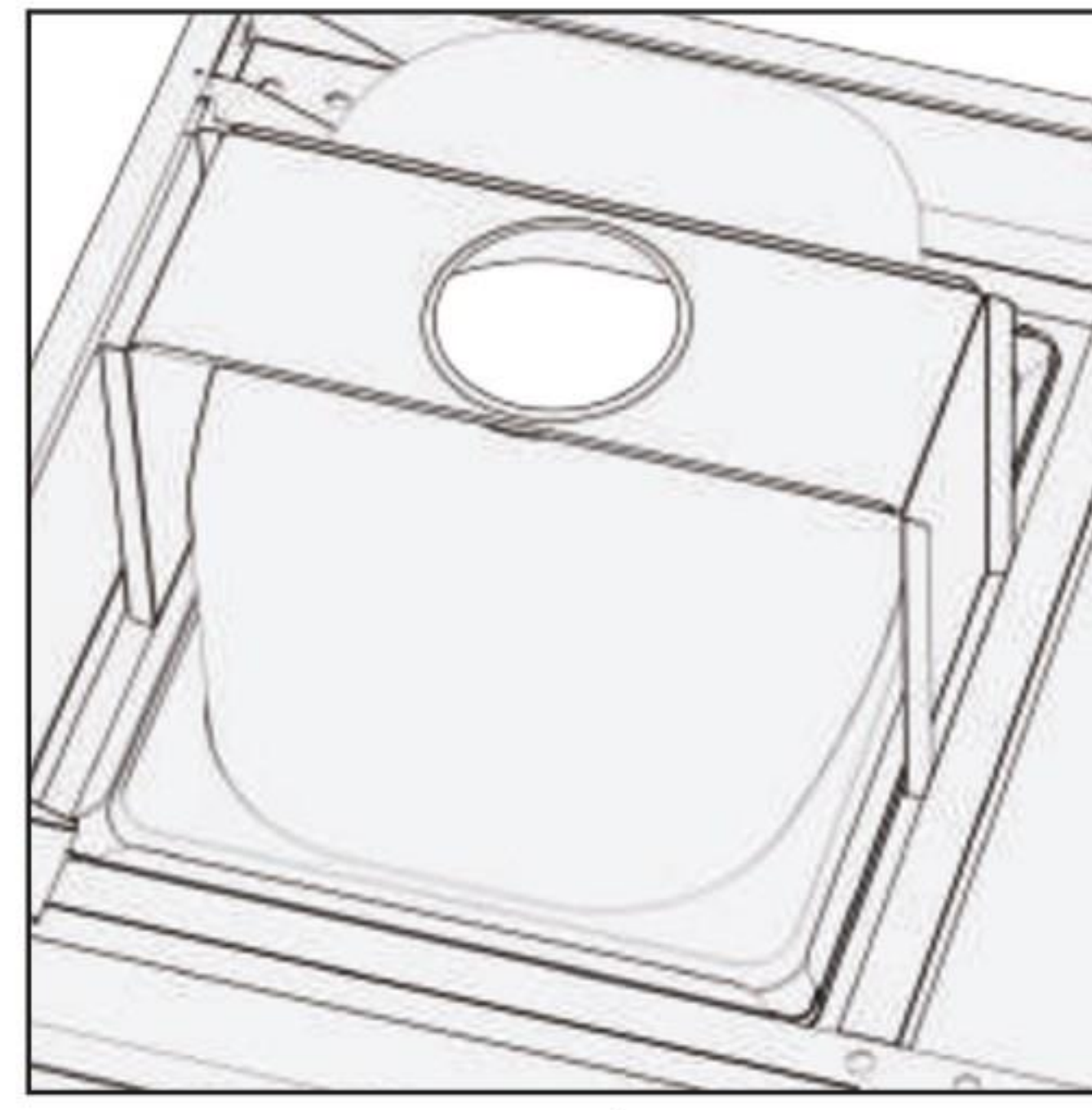
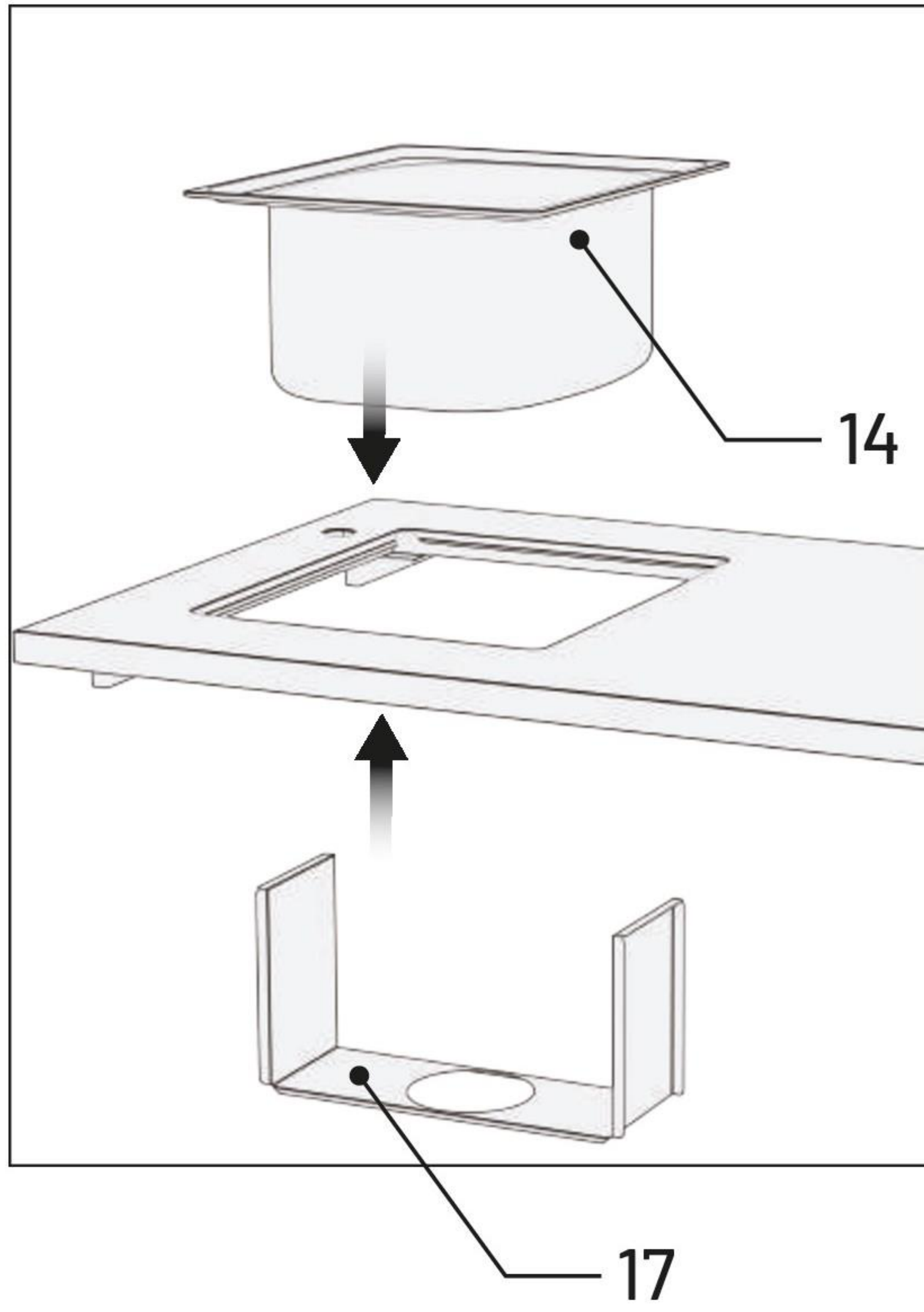
23



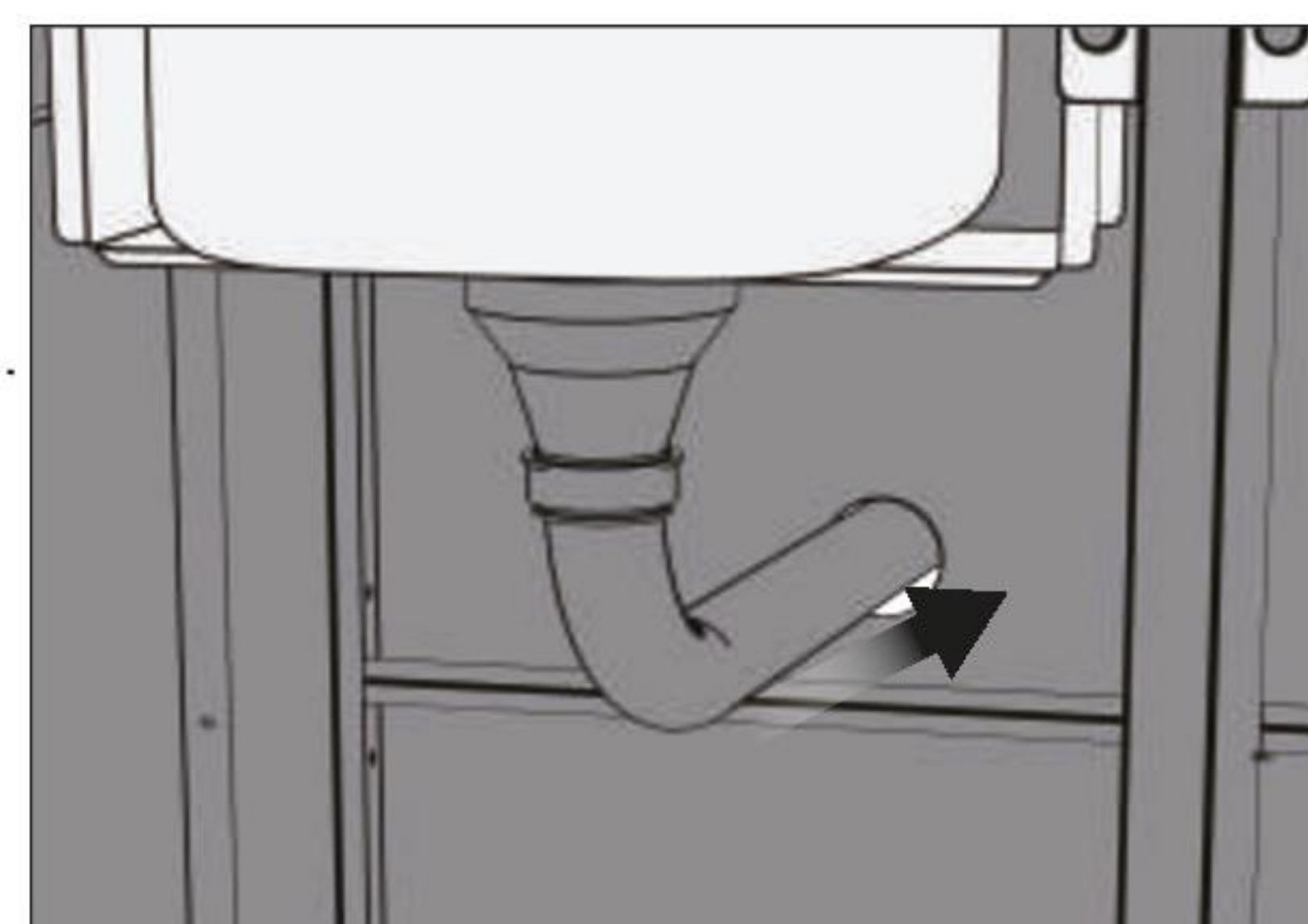
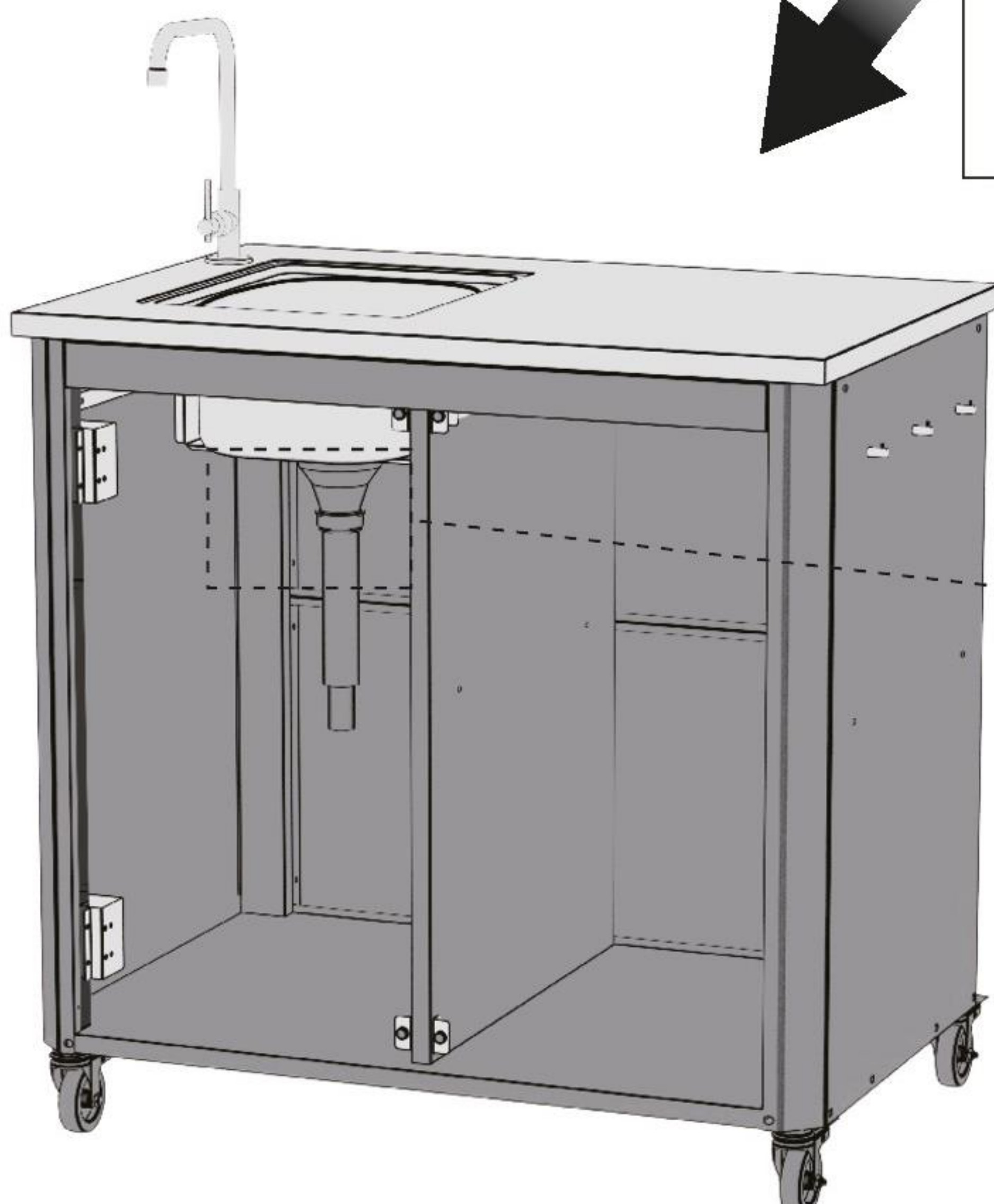
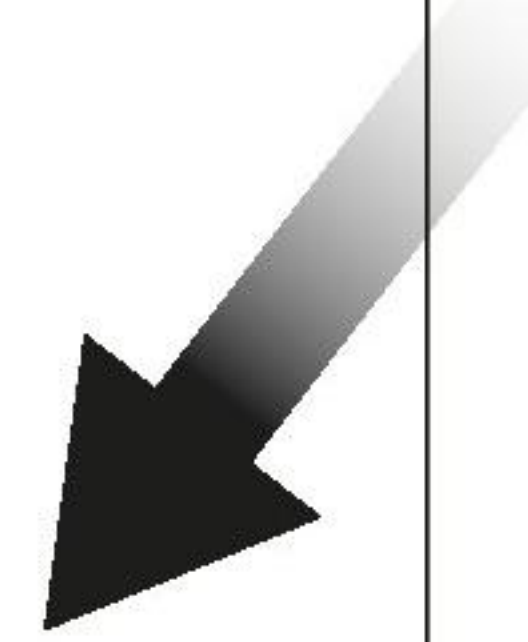
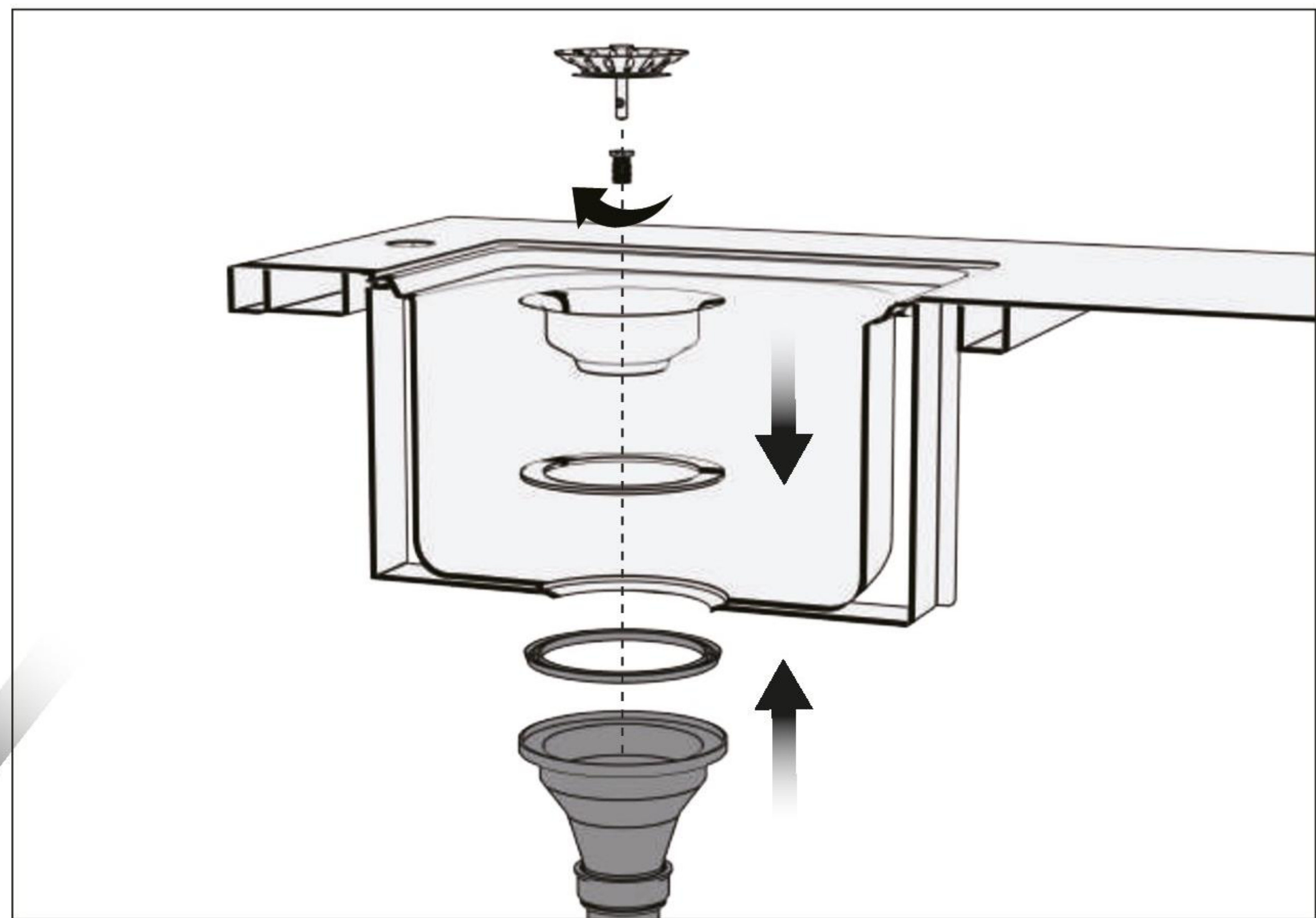
24




25

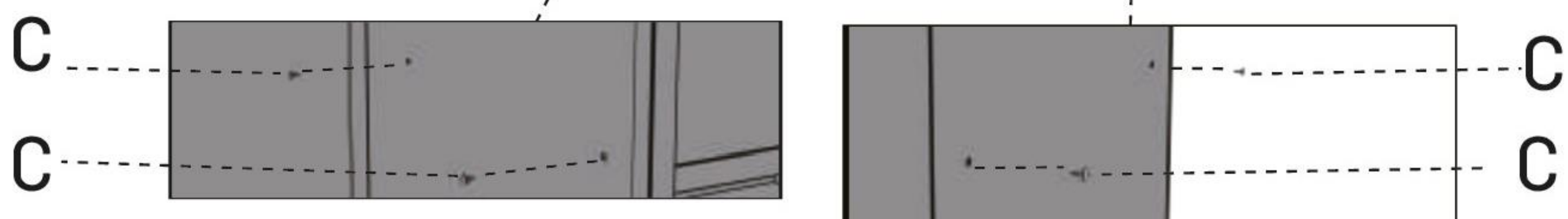
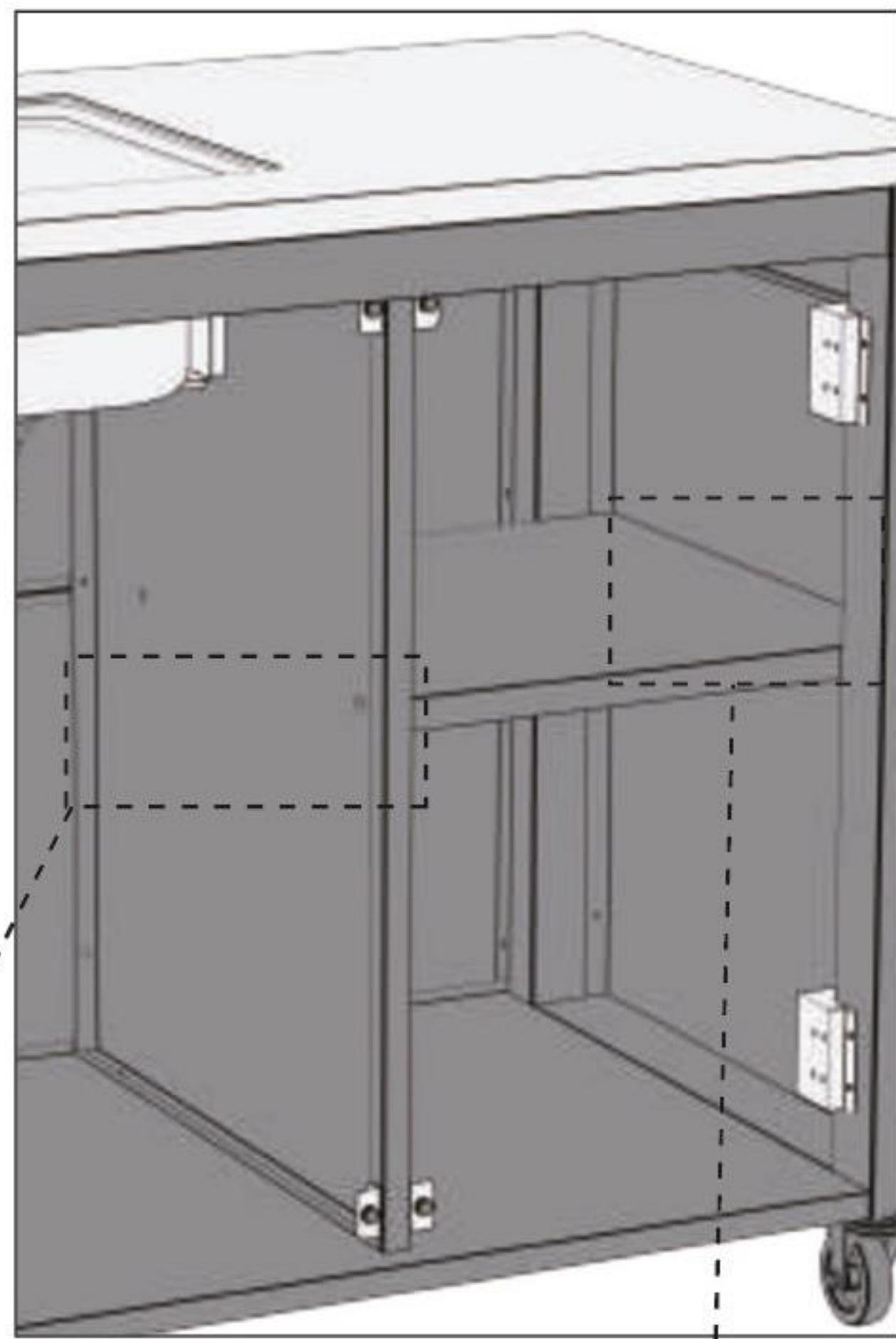
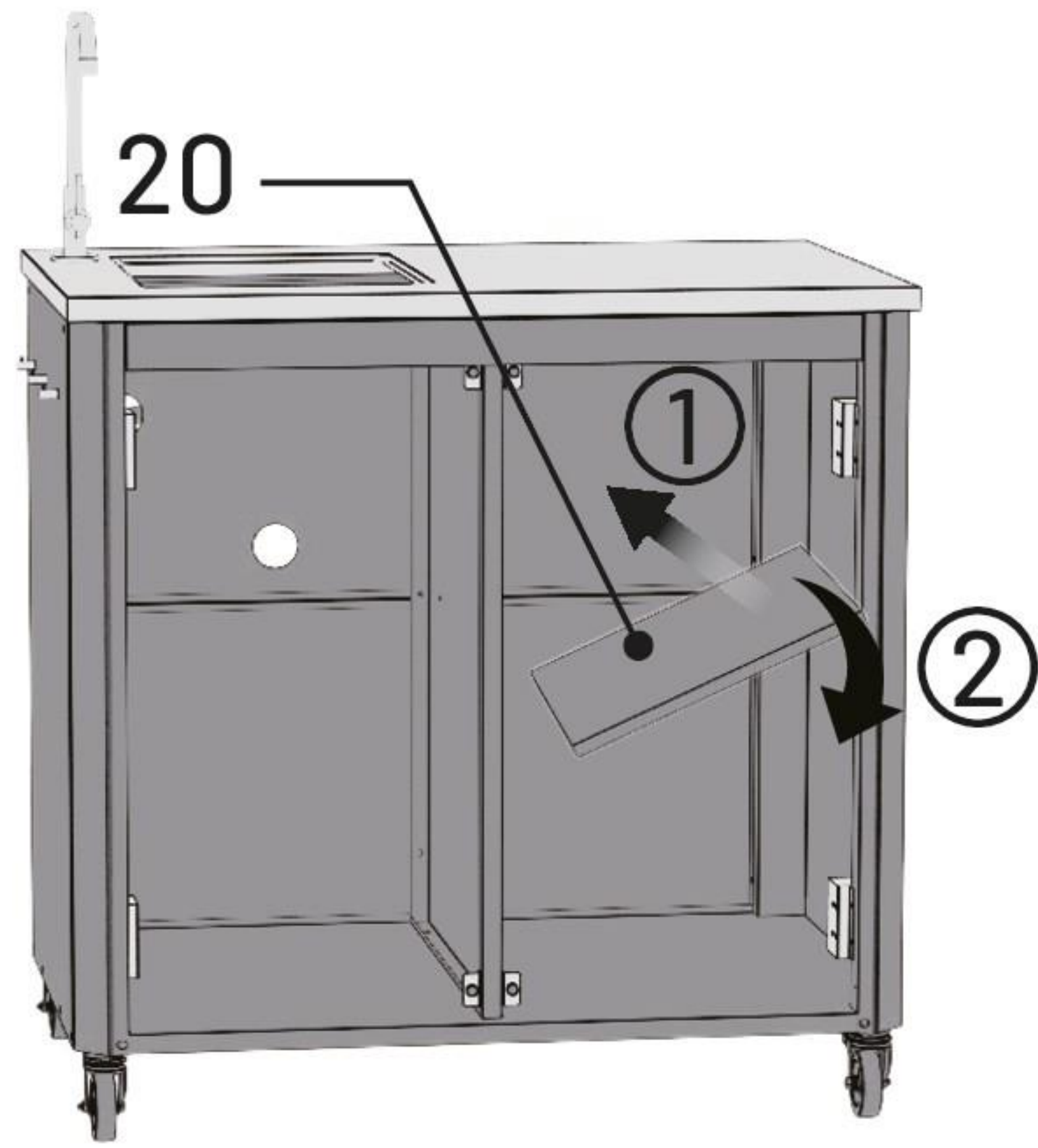




26



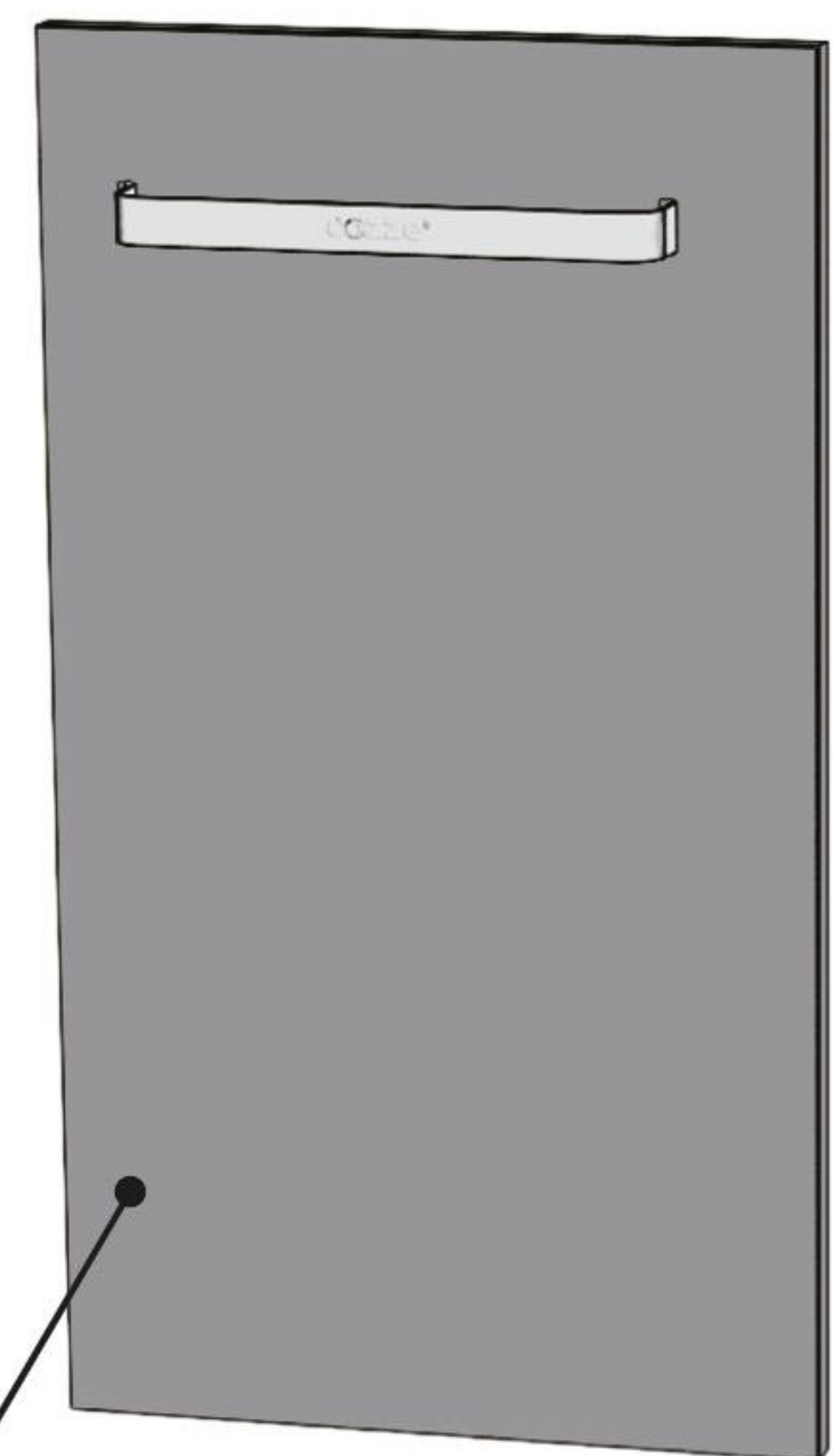
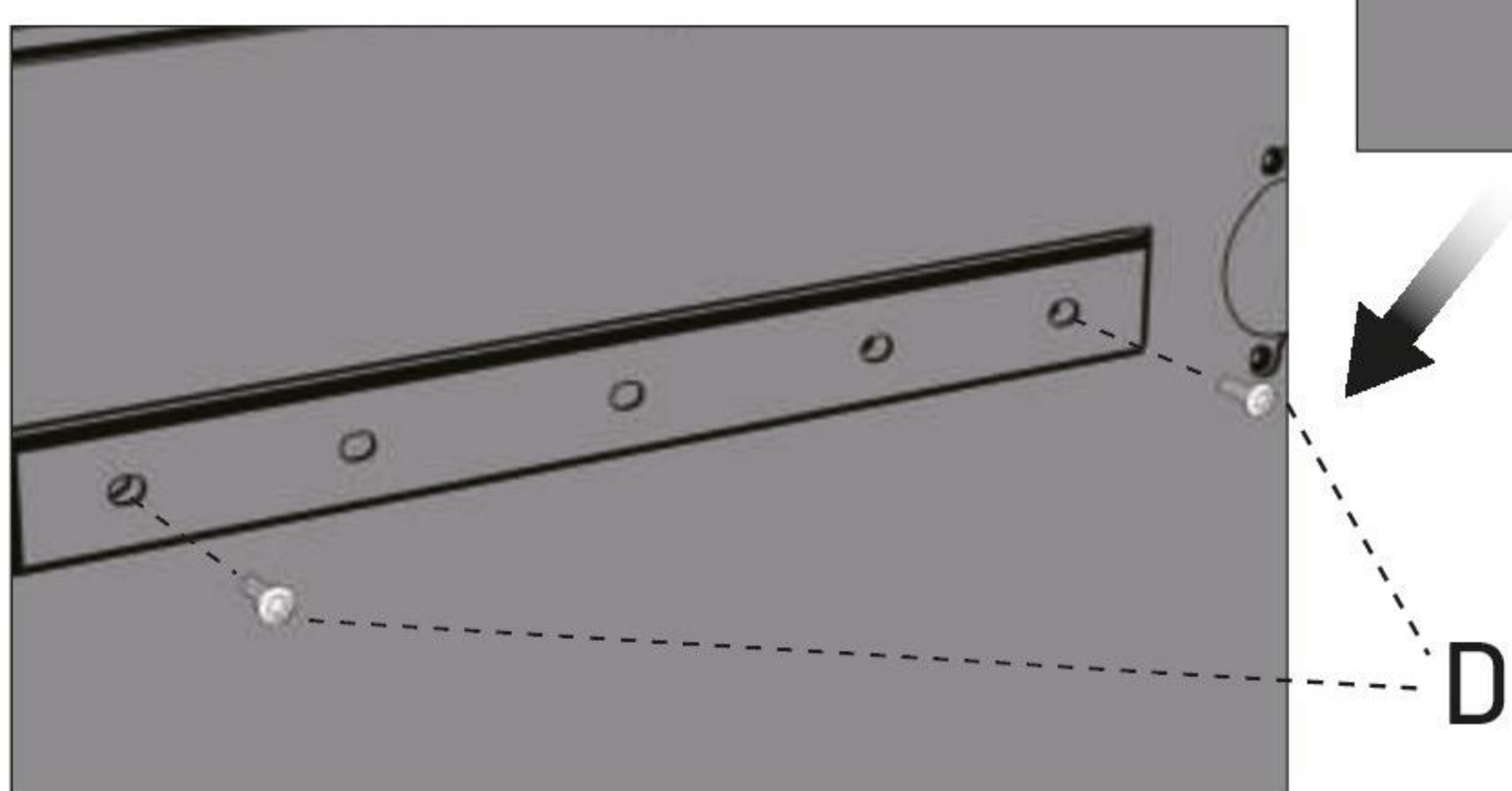
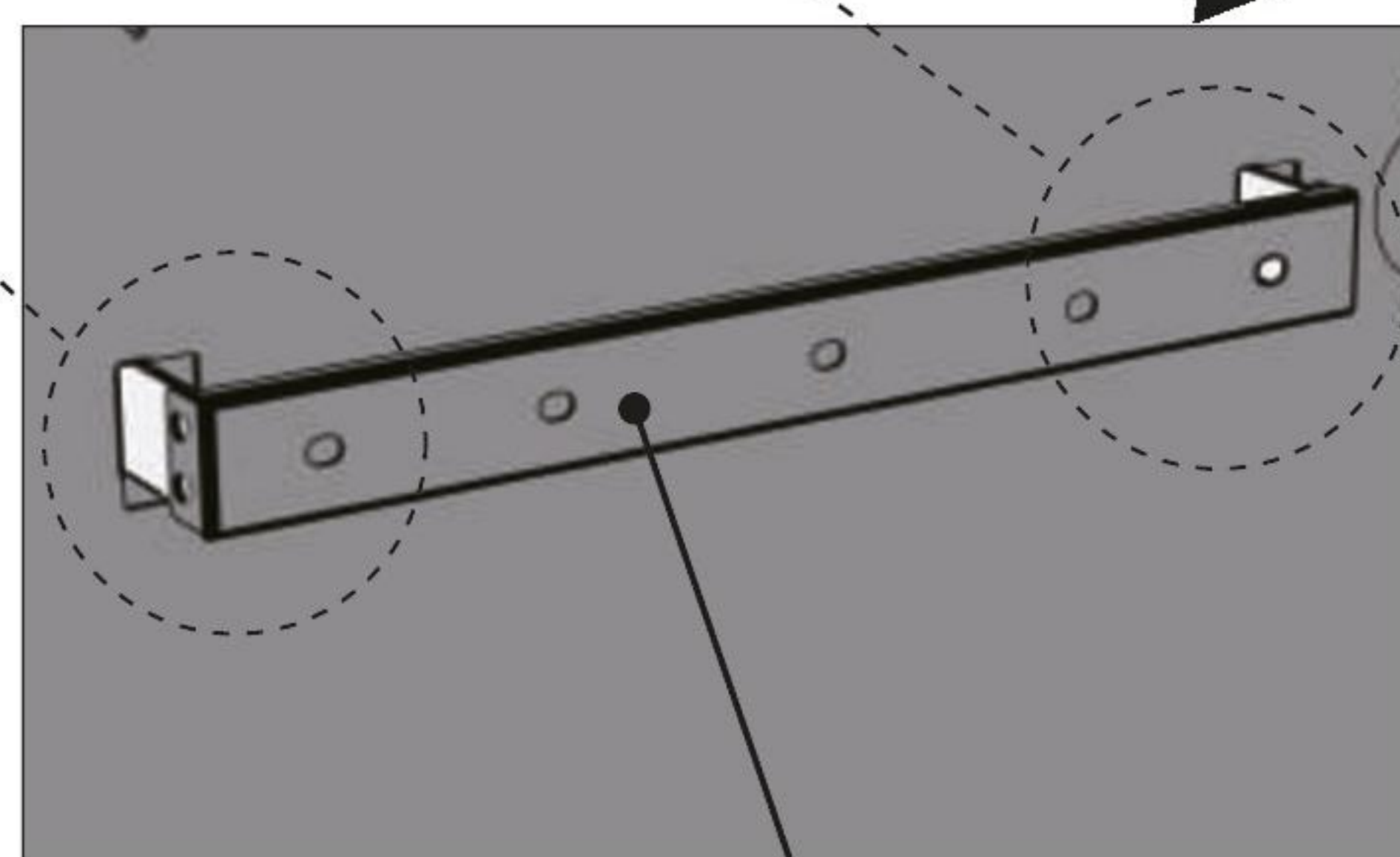
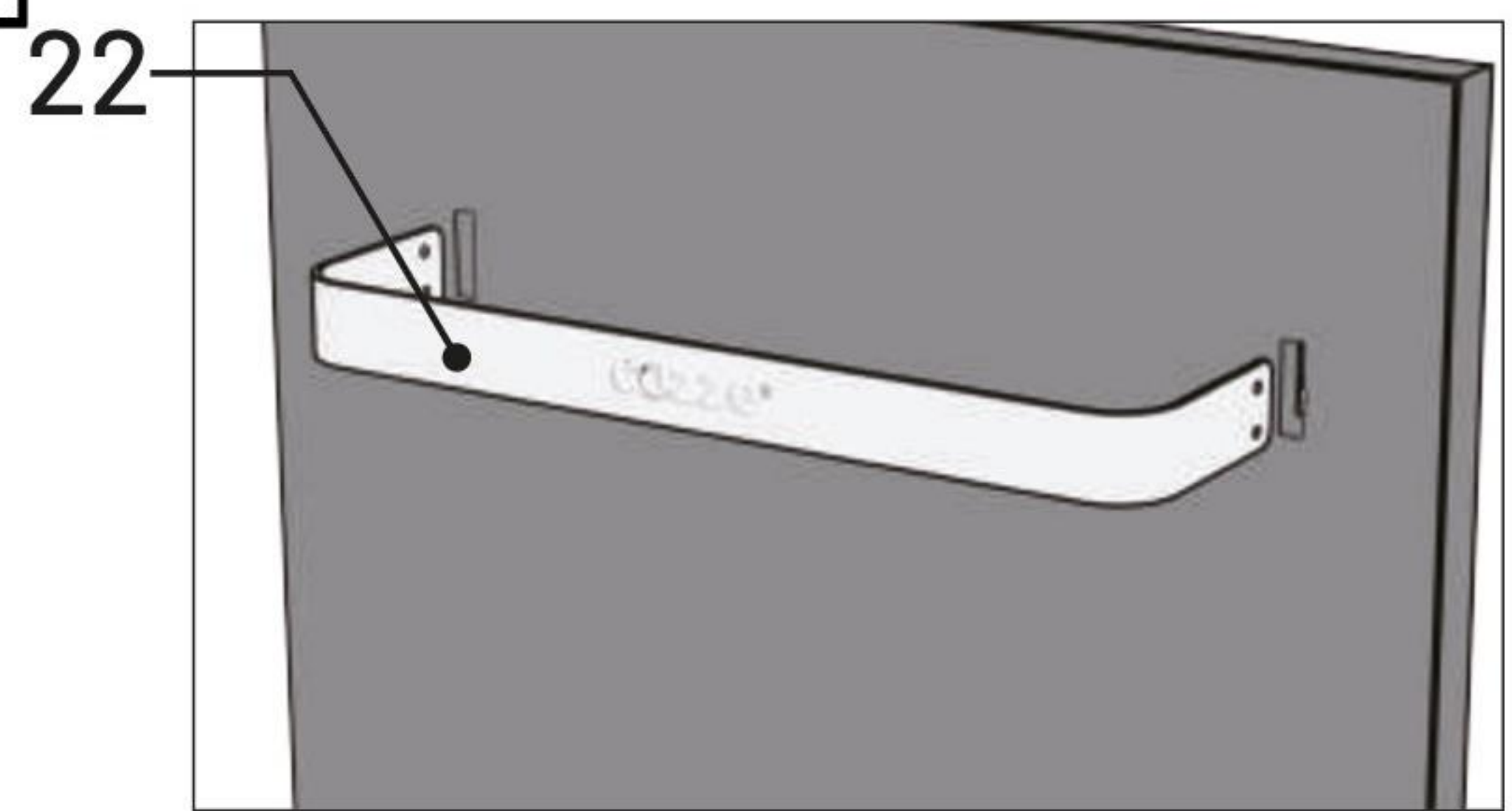
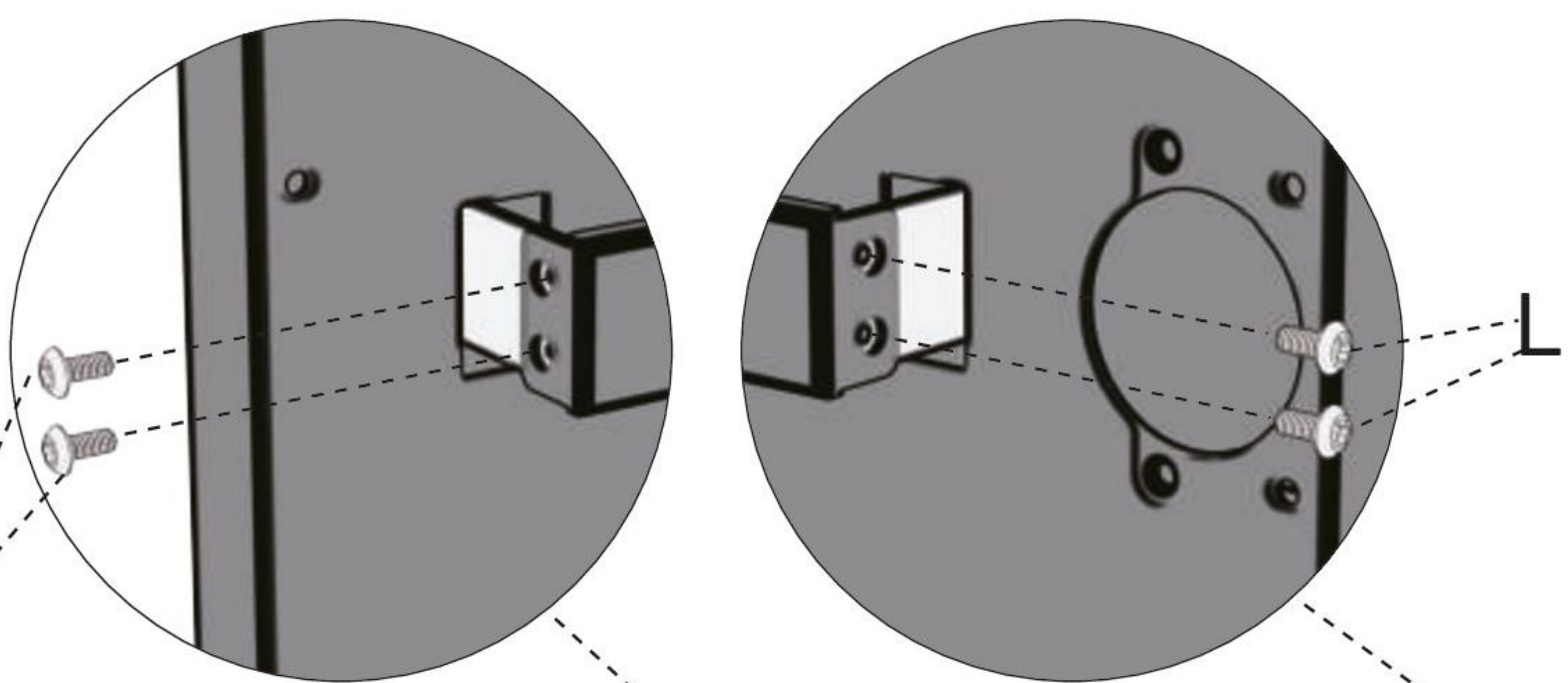
C	ST4.2X10	4pcs.
		


27



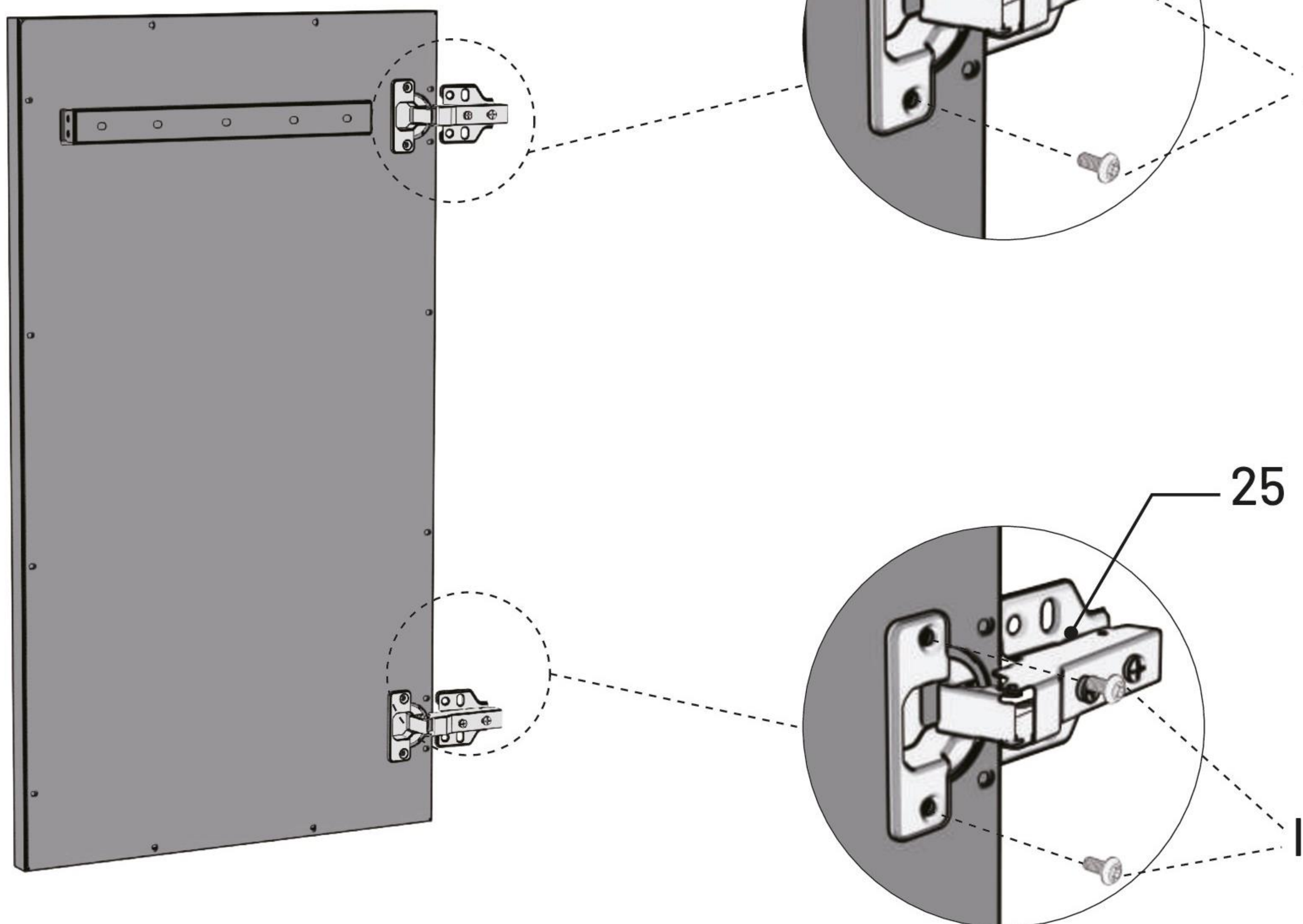
L	M4X8	4pcs.	D	M4X16	2pcs.
					



28



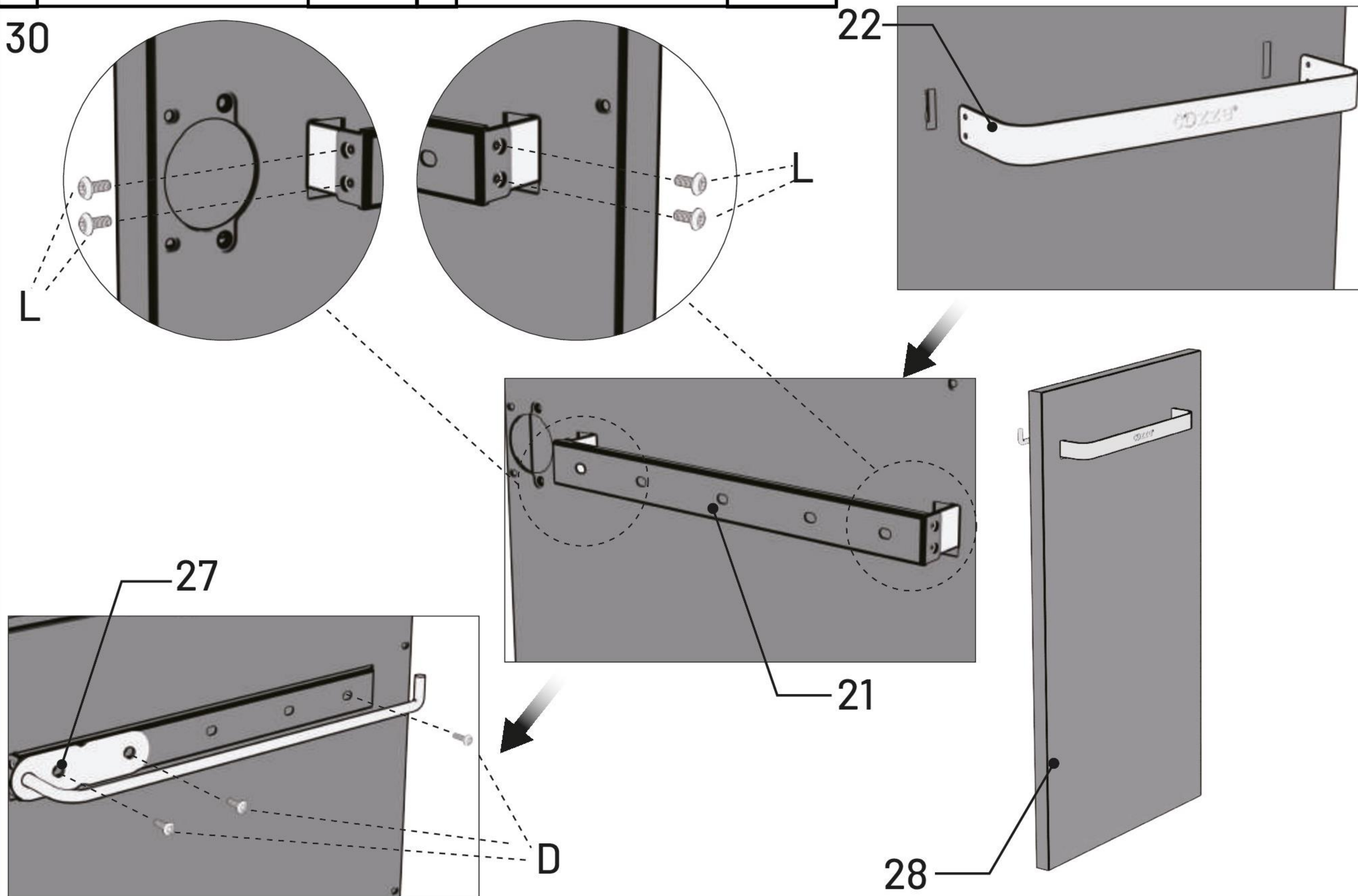
I	M4X8-SS 	4pcs.
---	--	-------


29

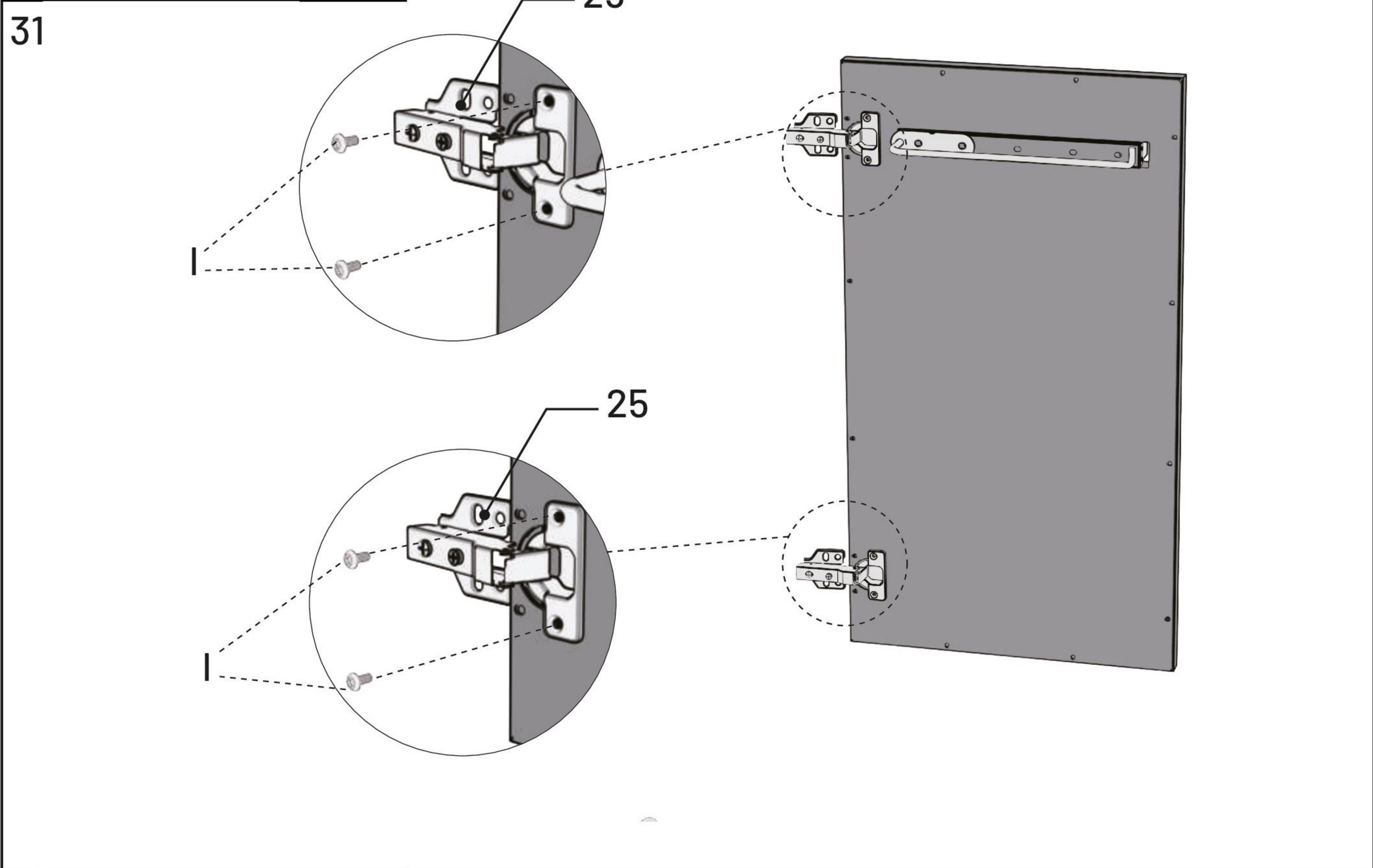



L	M4X8 	4pcs.	D	M4X16 	3pcs.
---	---	-------	---	--	-------

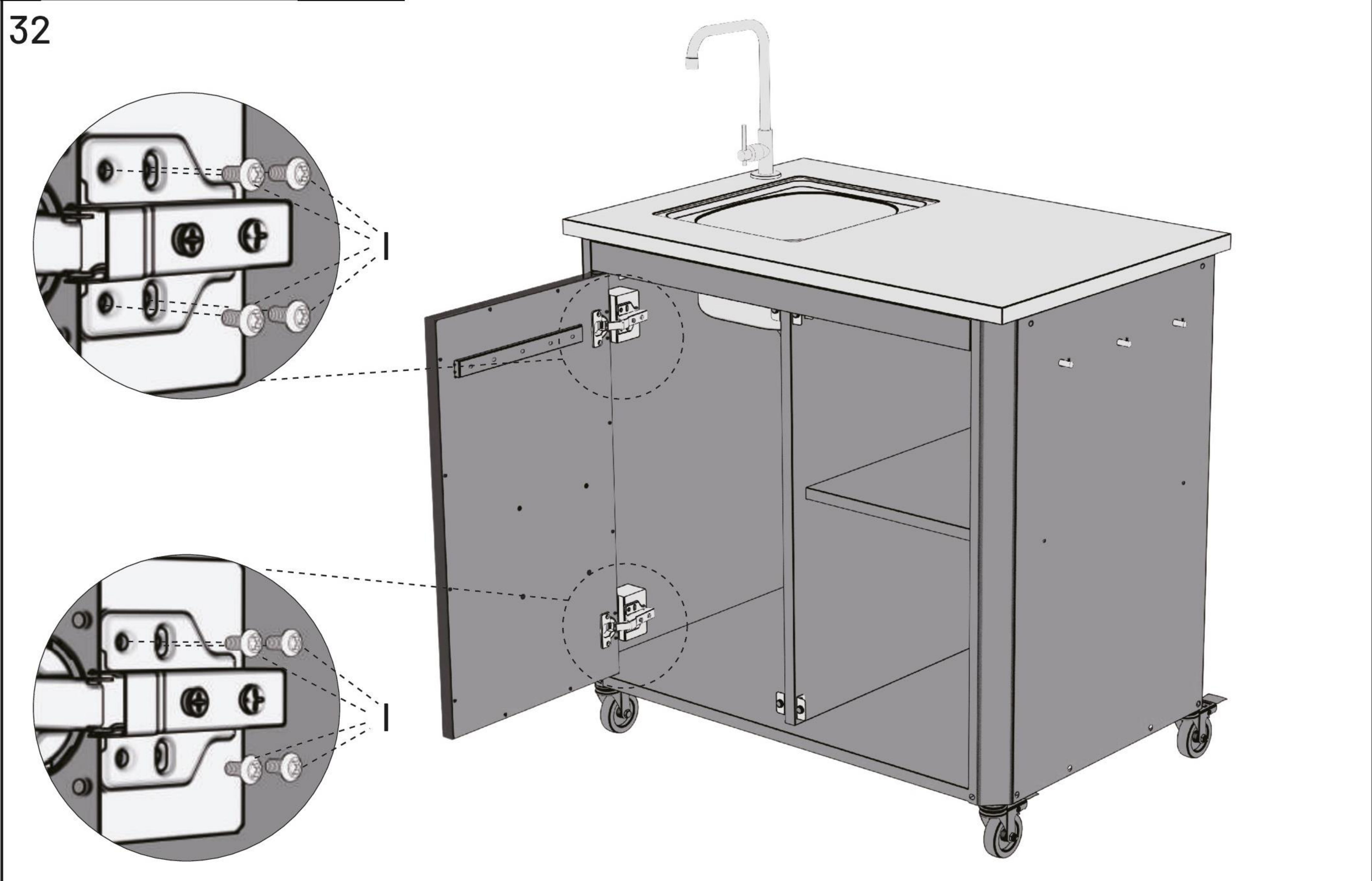
30



1	M4X8-SS 	4pcs.
---	--	-------



1	M4X8-SS 	8pcs.
---	--	-------

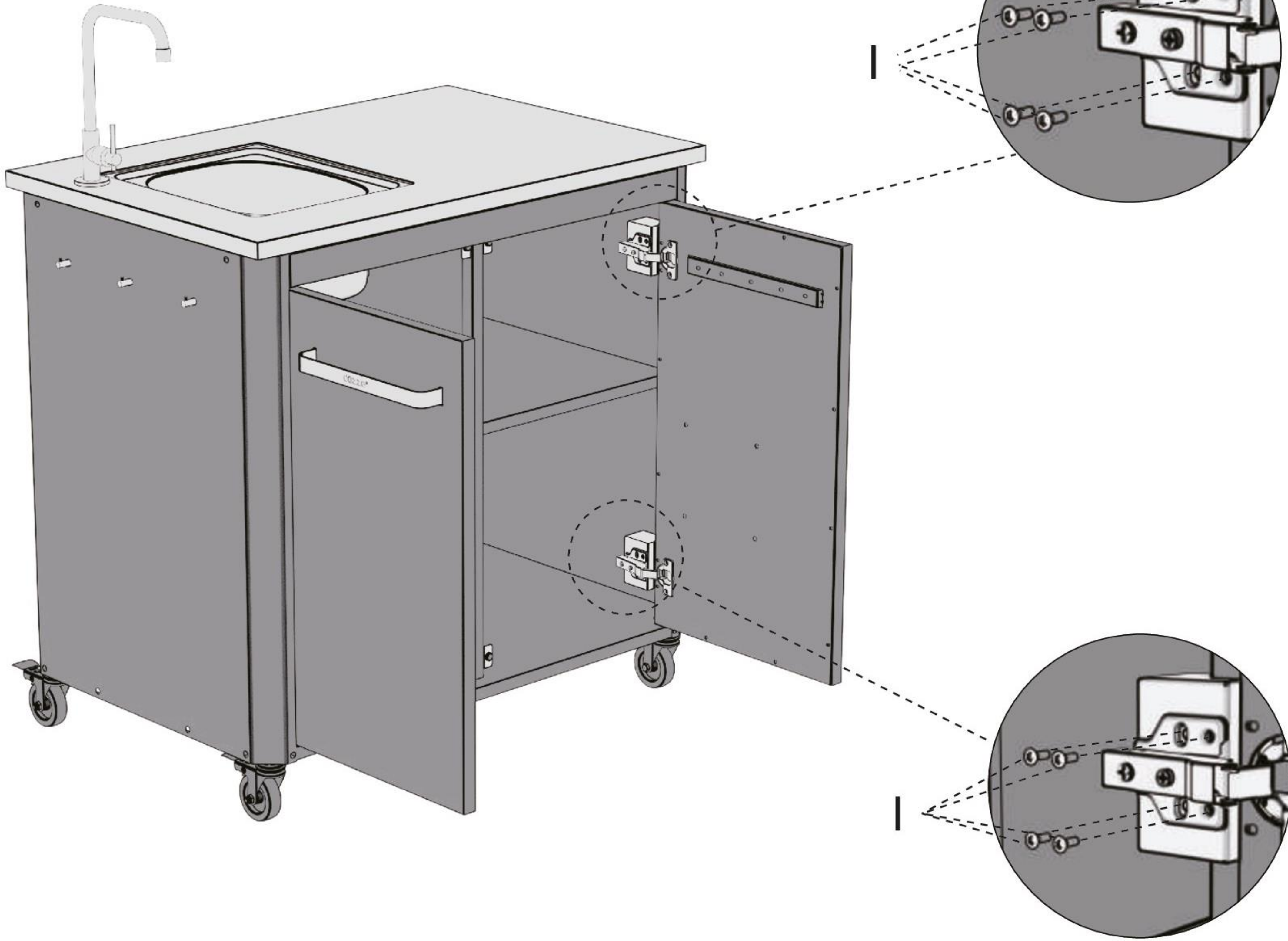


M4X8-SS

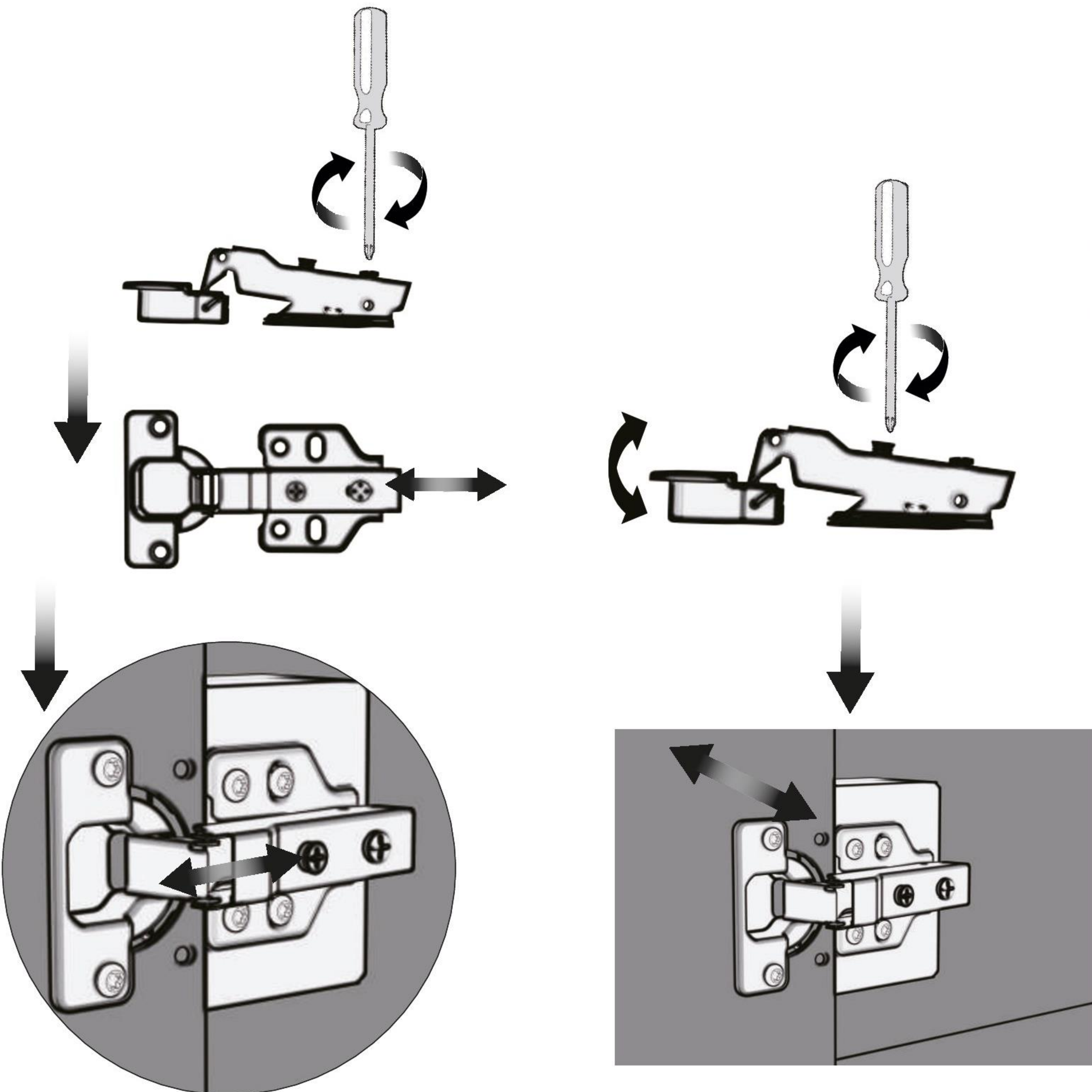




8pcs.

33

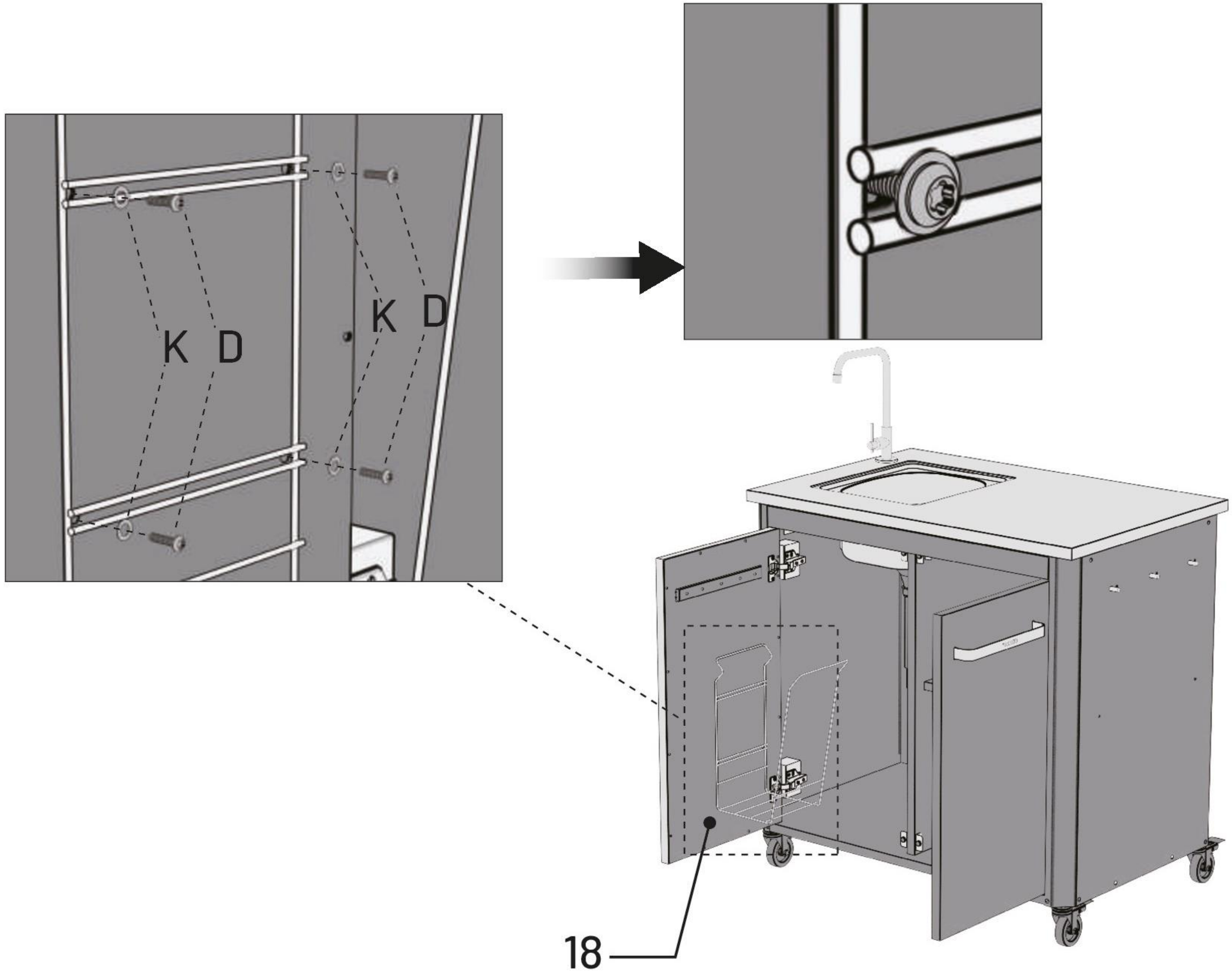


34



D	M4X16 	4pcs.	K	ϕ 4.5 	4pcs.
---	--	-------	---	---	-------

35



36



OK

FIND A VIDEO ON HOW TO
ASSEMBLE THE OUTDOOR KITCHEN AT
COZZEBBQ.COM/ASSEMBLY



90529



FIND A VIDEO ON HOW TO
ASSEMBLE THE OUTDOOR KITCHEN AT
[COZZEBQ.COM/ASSEMBLY](https://cozzebq.com/assembly)



Manufactured by
Millarco International A/S
Rokhoj 26, 8520 Lystrup - Denmark
millarco.com
cozzebq.com



cozze®