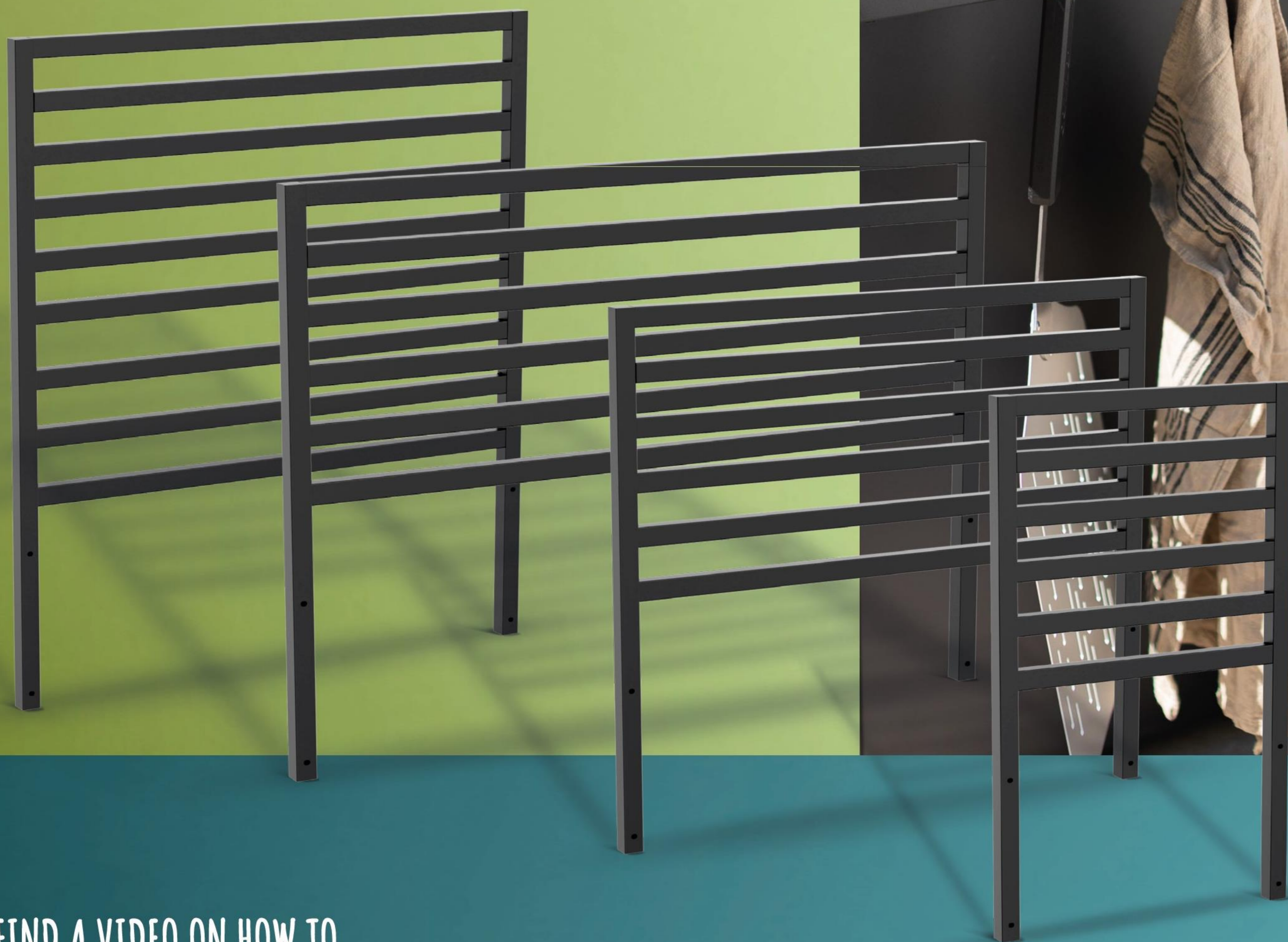


90242 / 90244
90246 / 90248

ASSEMBLY INSTRUCTIONS FOR **ALL** BACK GRIDS



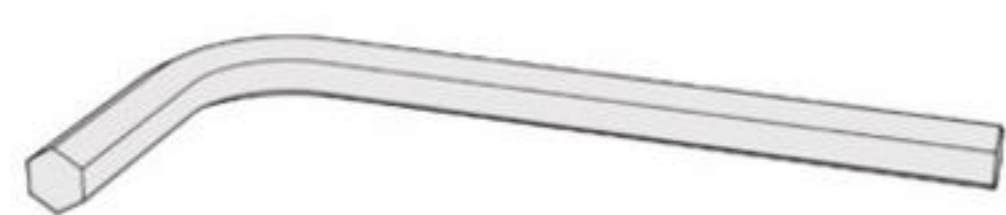
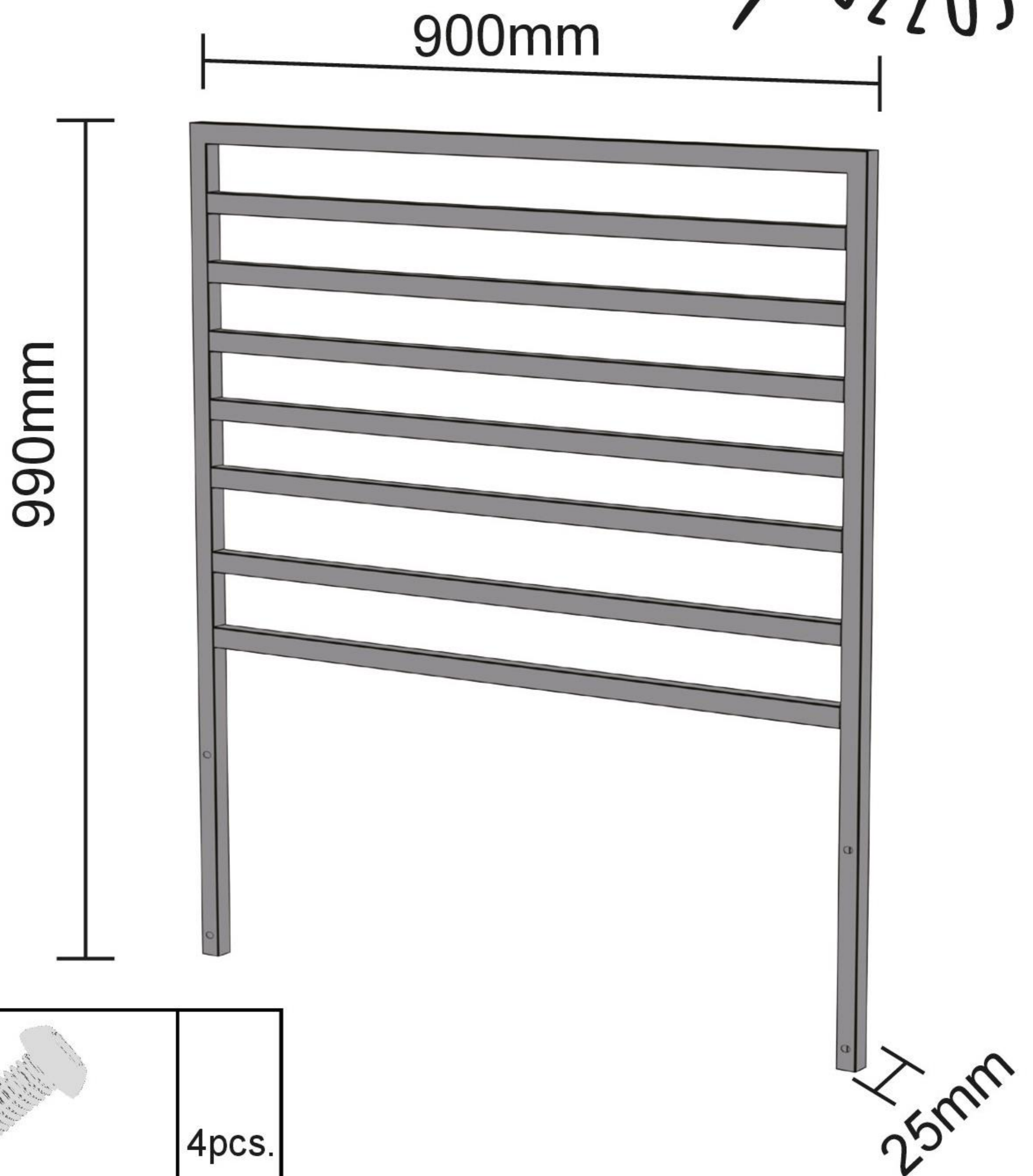
FIND A VIDEO ON HOW TO
ASSEMBLE THE BACK GRIDS AT
[COZZEBBQ.COM/ASSEMBLY](https://cozzebbq.com/assembly)



cozze[®]

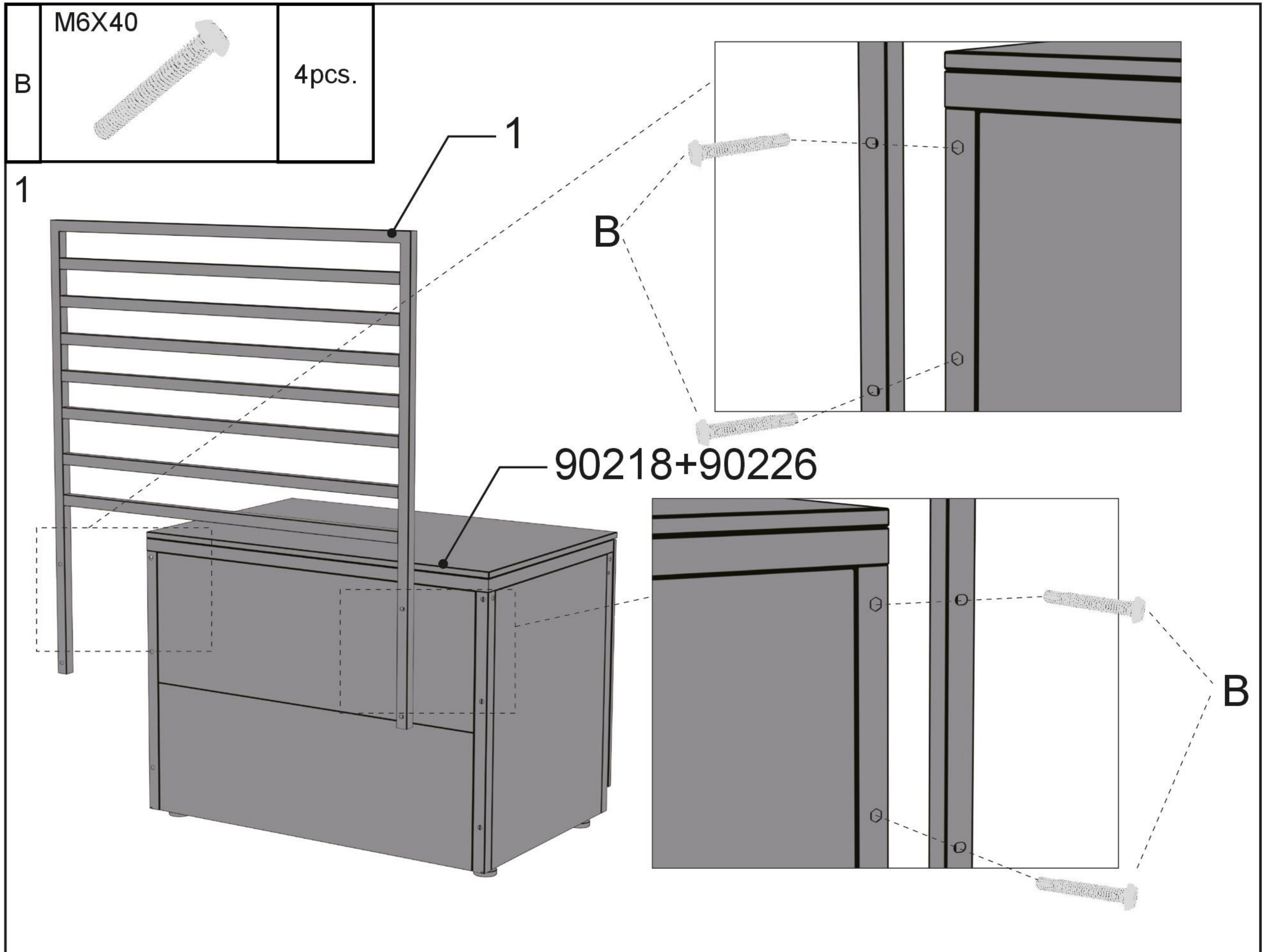
ASSEMBLY INSTRUCTIONS FOR BACK GRID 90

FIND MORE INSPIRATION
AT COZZEBBQ.COM



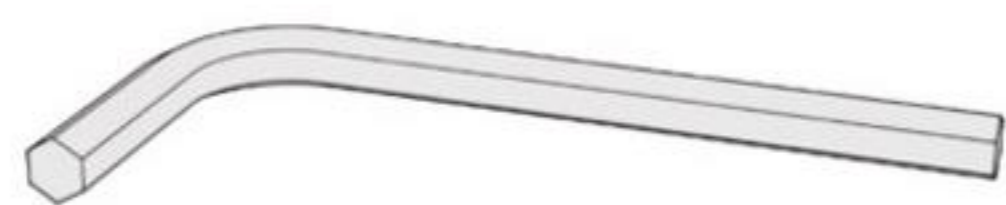
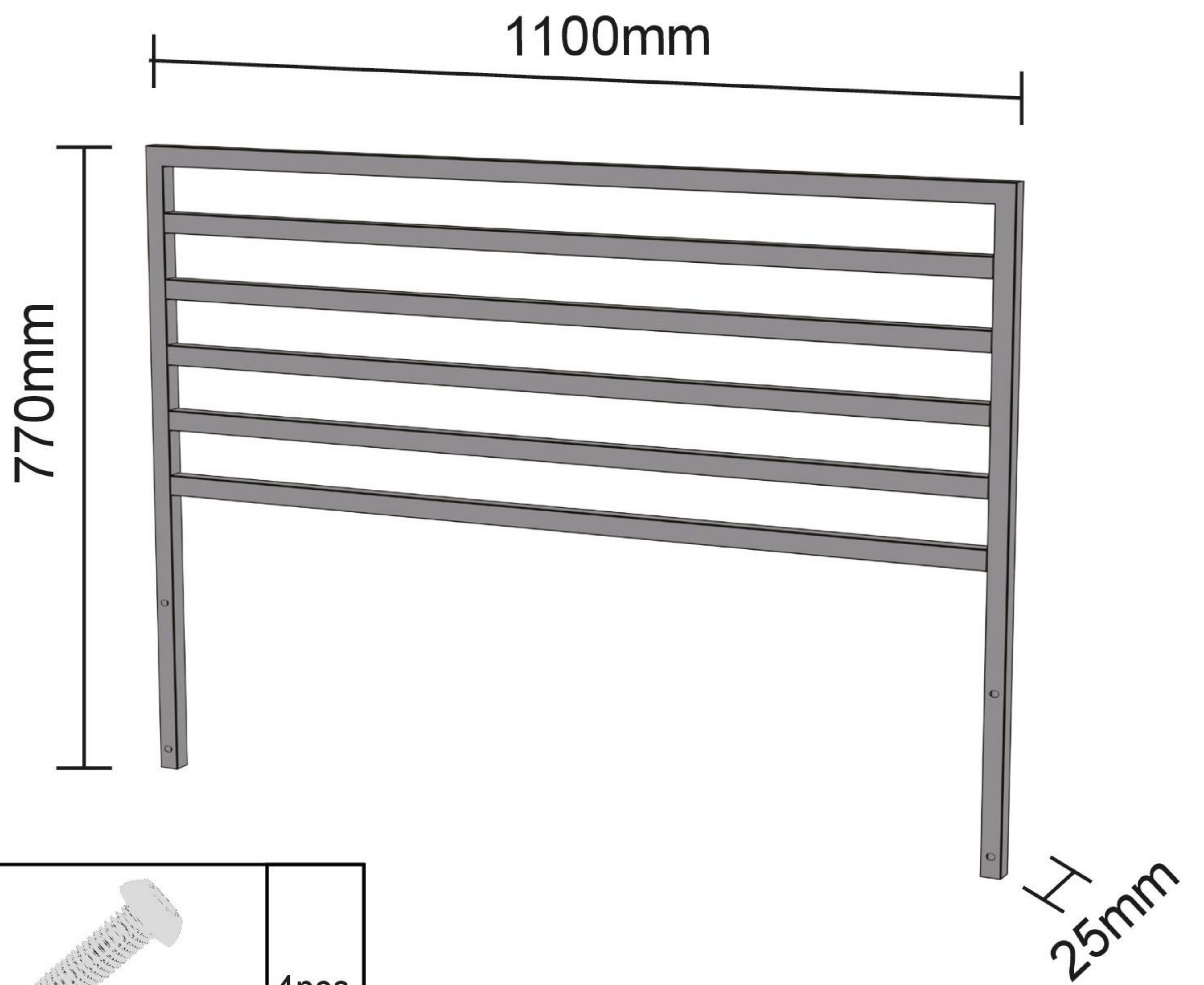
(Included)

1		1pc.	B	M6X40 	4pcs.
---	--	------	---	-----------	-------



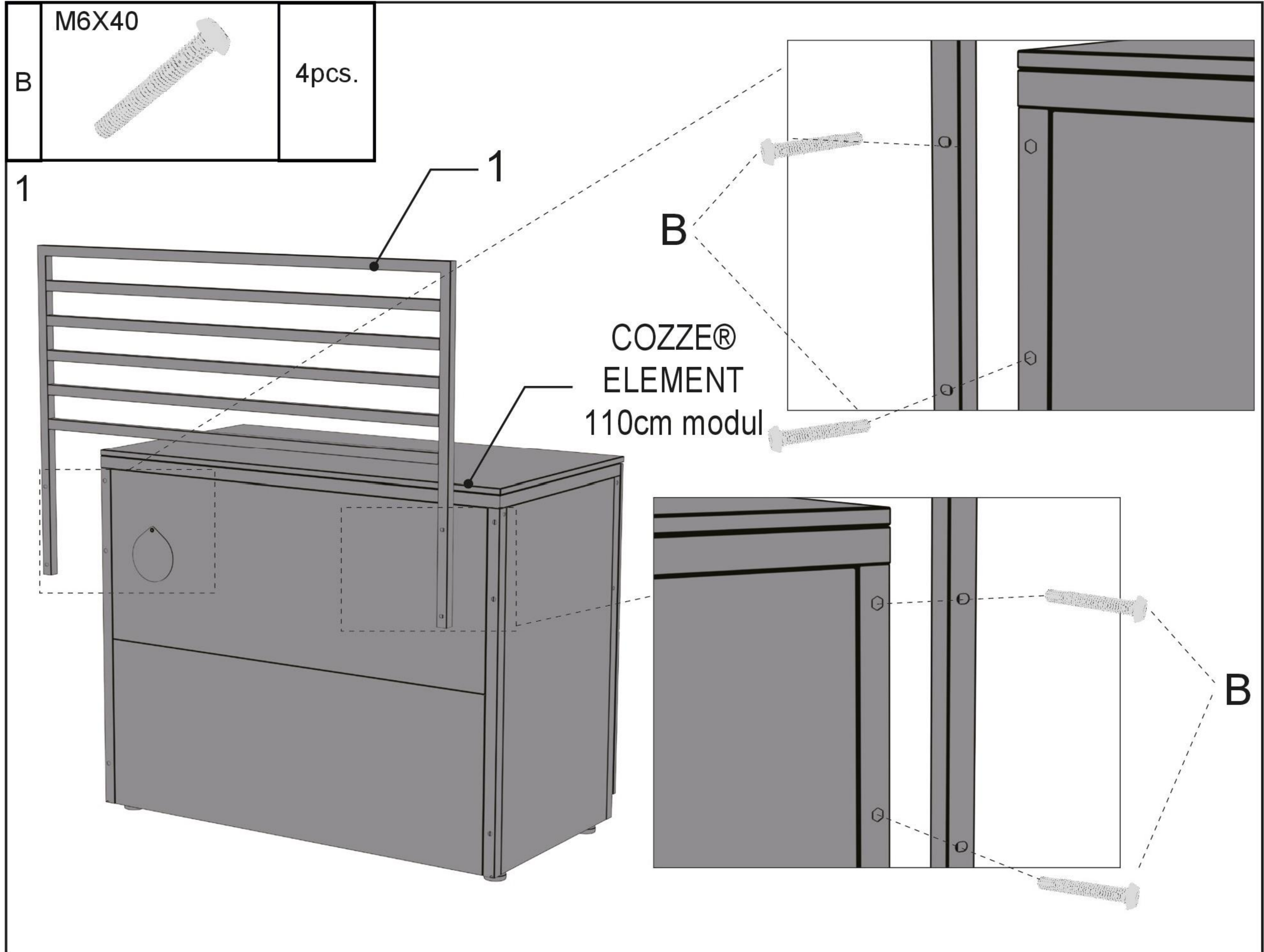
ASSEMBLY INSTRUCTIONS FOR BACK GRID 110

FIND MORE INSPIRATION
AT COZZEBBQ.COM



(Included)

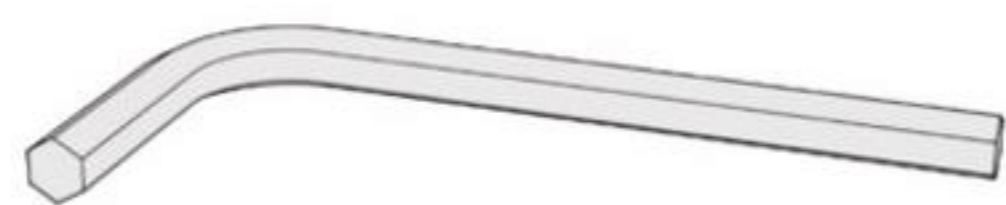
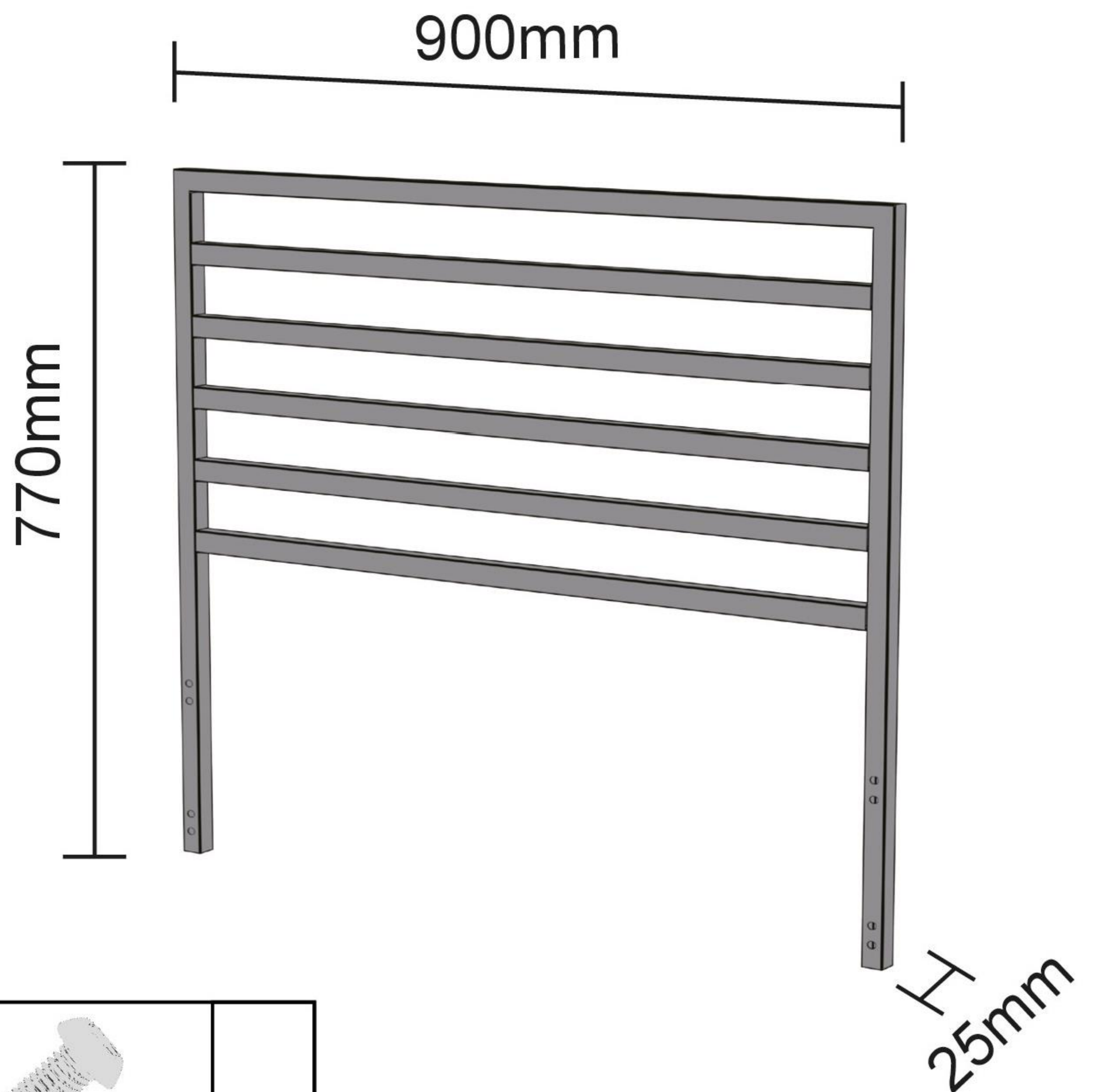
1		1pc.	B	M6X40 	4pcs.
---	--	------	---	-----------	-------



ASSEMBLY INSTRUCTIONS FOR BACK GRID CORNER

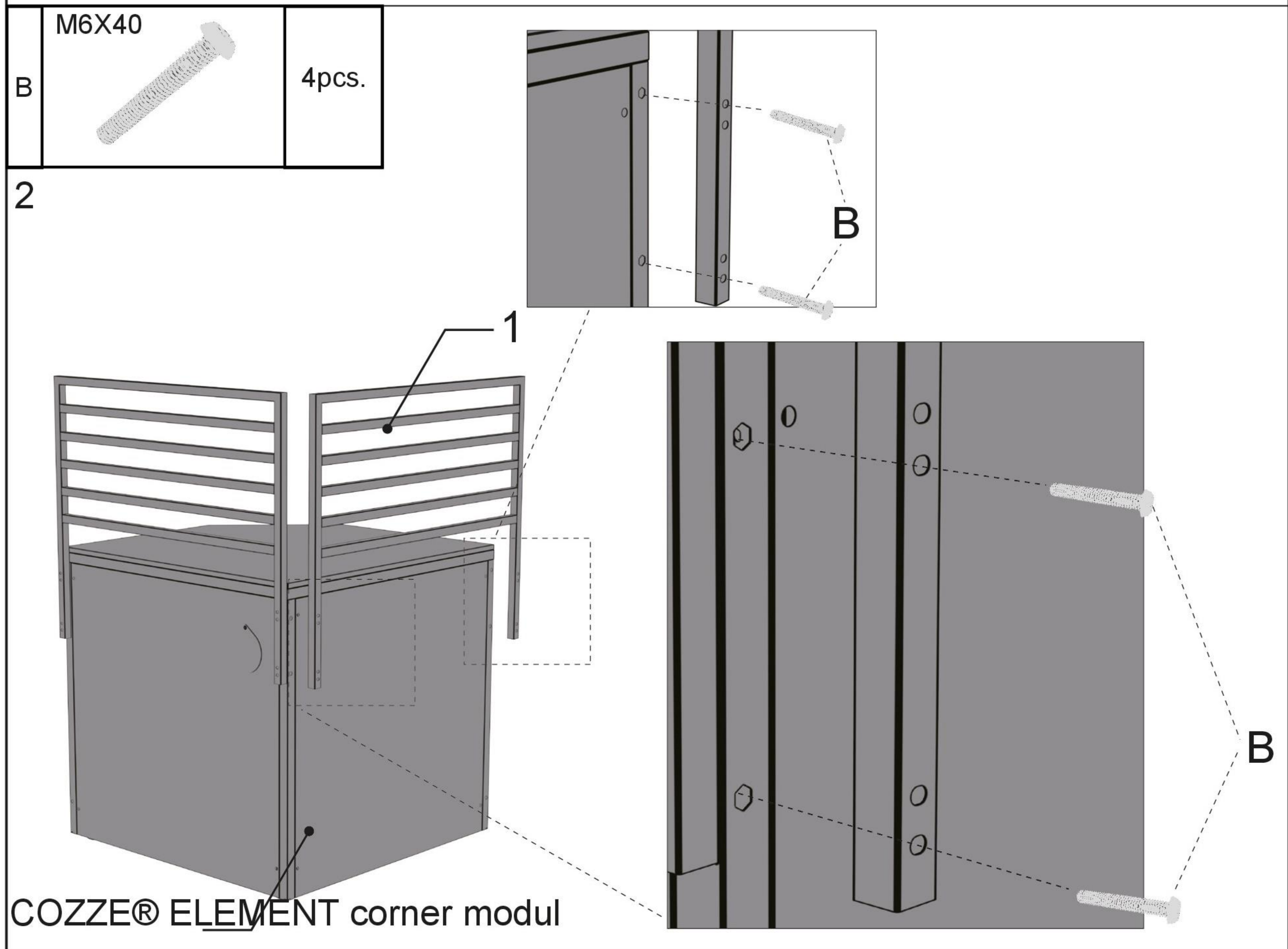
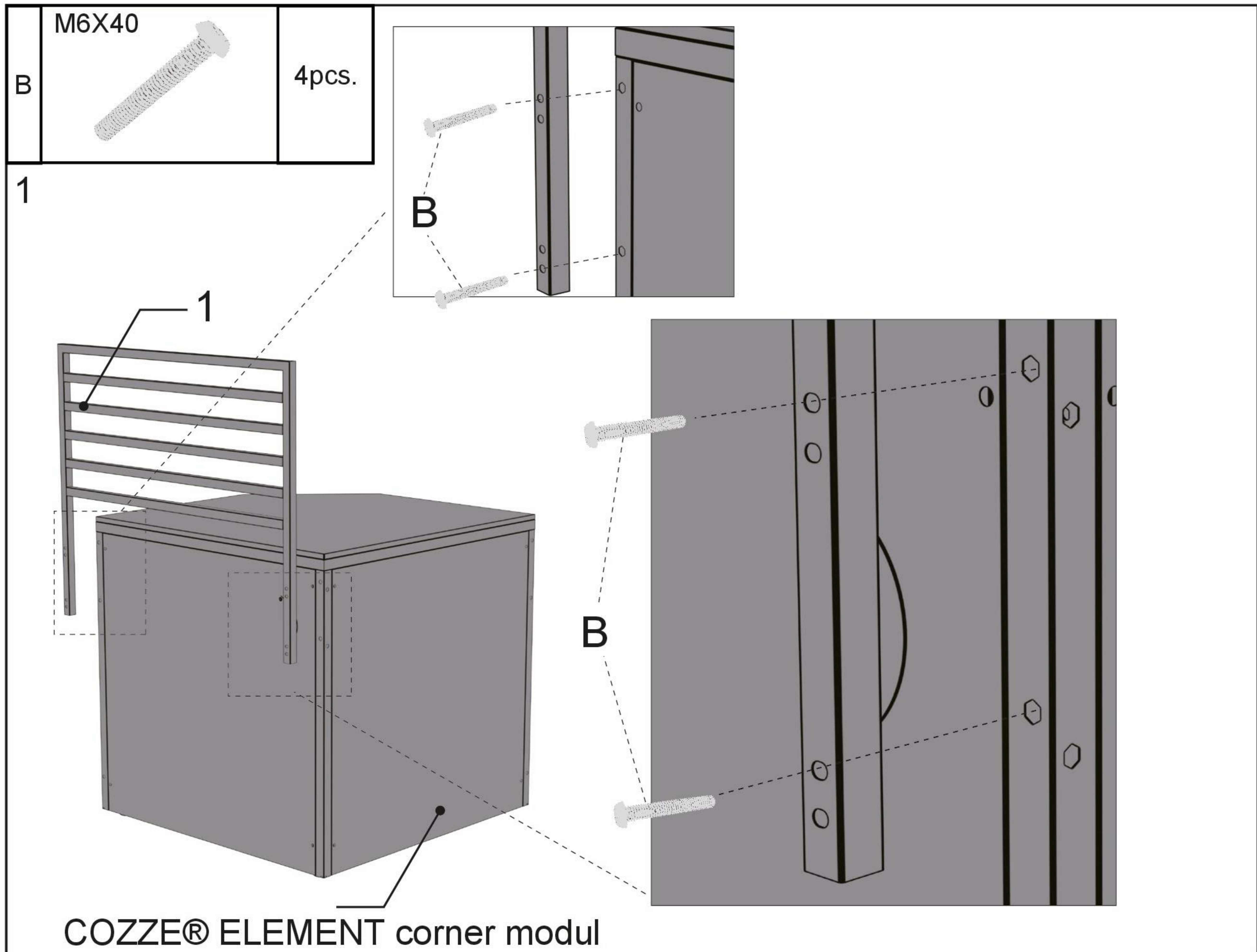


FIND MORE INSPIRATION
AT COZZEBBQ.COM



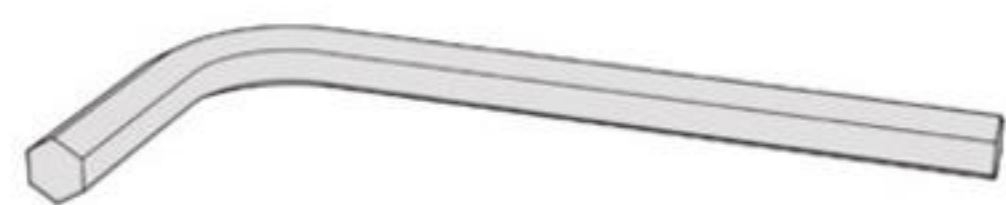
(Included)

1		1pc.	B	M6X40 	4pcs.
---	--	------	---	-----------	-------



ASSEMBLY INSTRUCTIONS FOR BACK GRID 52

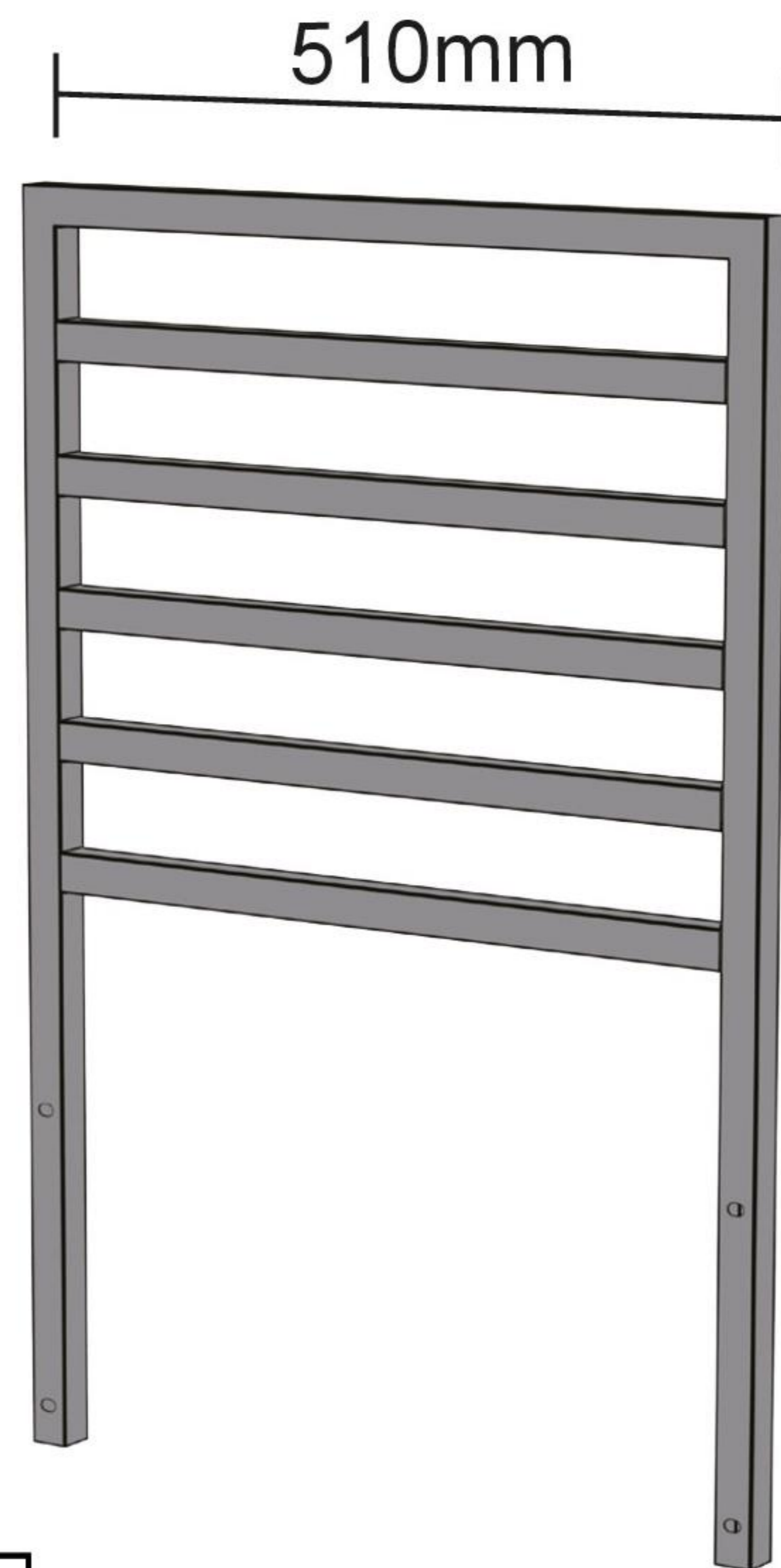
FIND MORE INSPIRATION
AT COZZEBBQ.COM



(Included)

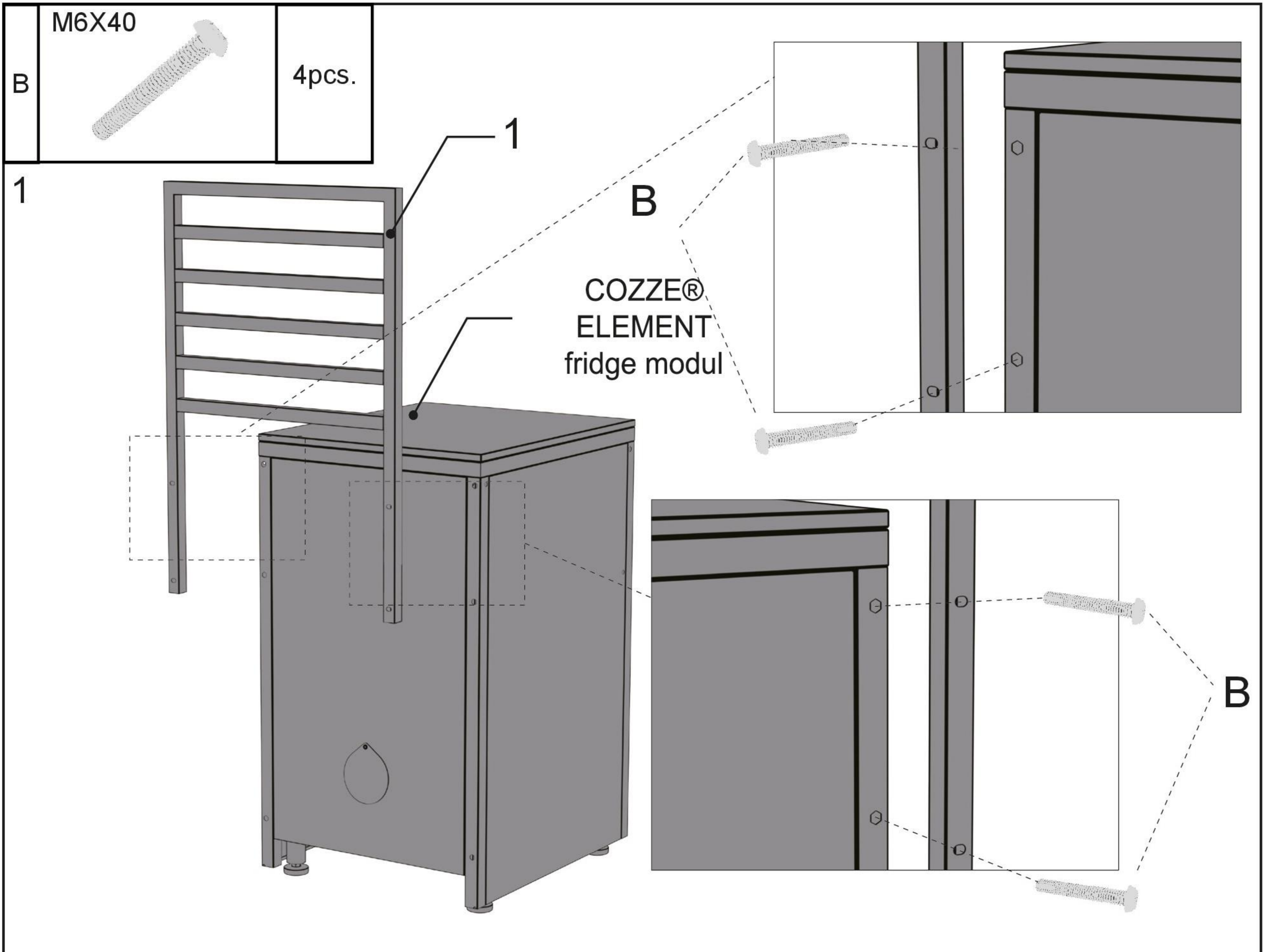
770mm

510mm



H
25mm

1		1pc.	B	M6X40 	4pcs.
---	--	------	---	-----------	-------



90242 / 90244
90246 / 90248



FIND MORE INSPIRATION
AT [COZZEBBQ.COM](https://www.cozzebq.com)



Manufactured by
Millarco International A/S
Rokhoj 26, 8520 Lystrup - Denmark
www.millarco.com
www.cozzebq.com



cozze[®]