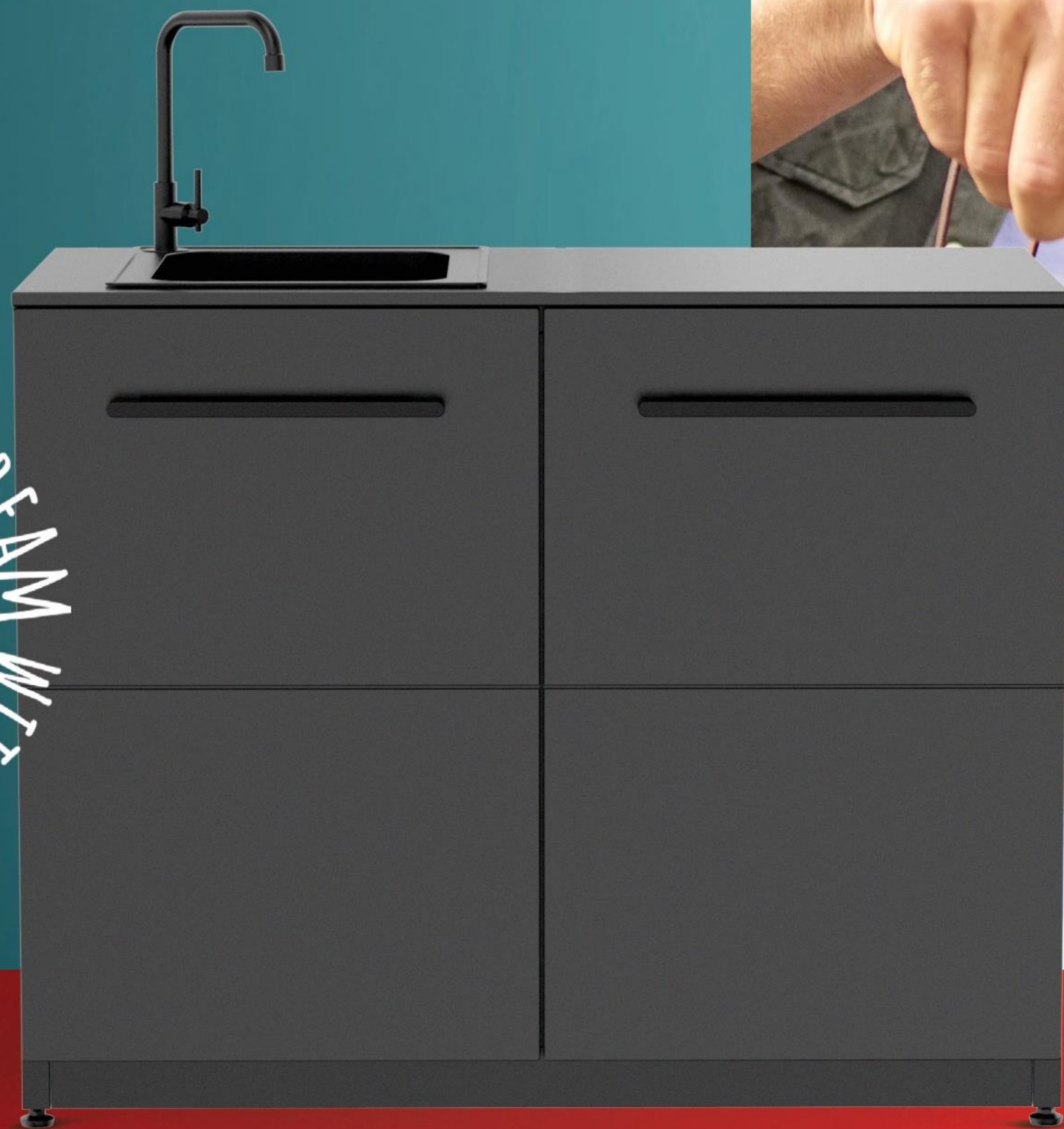


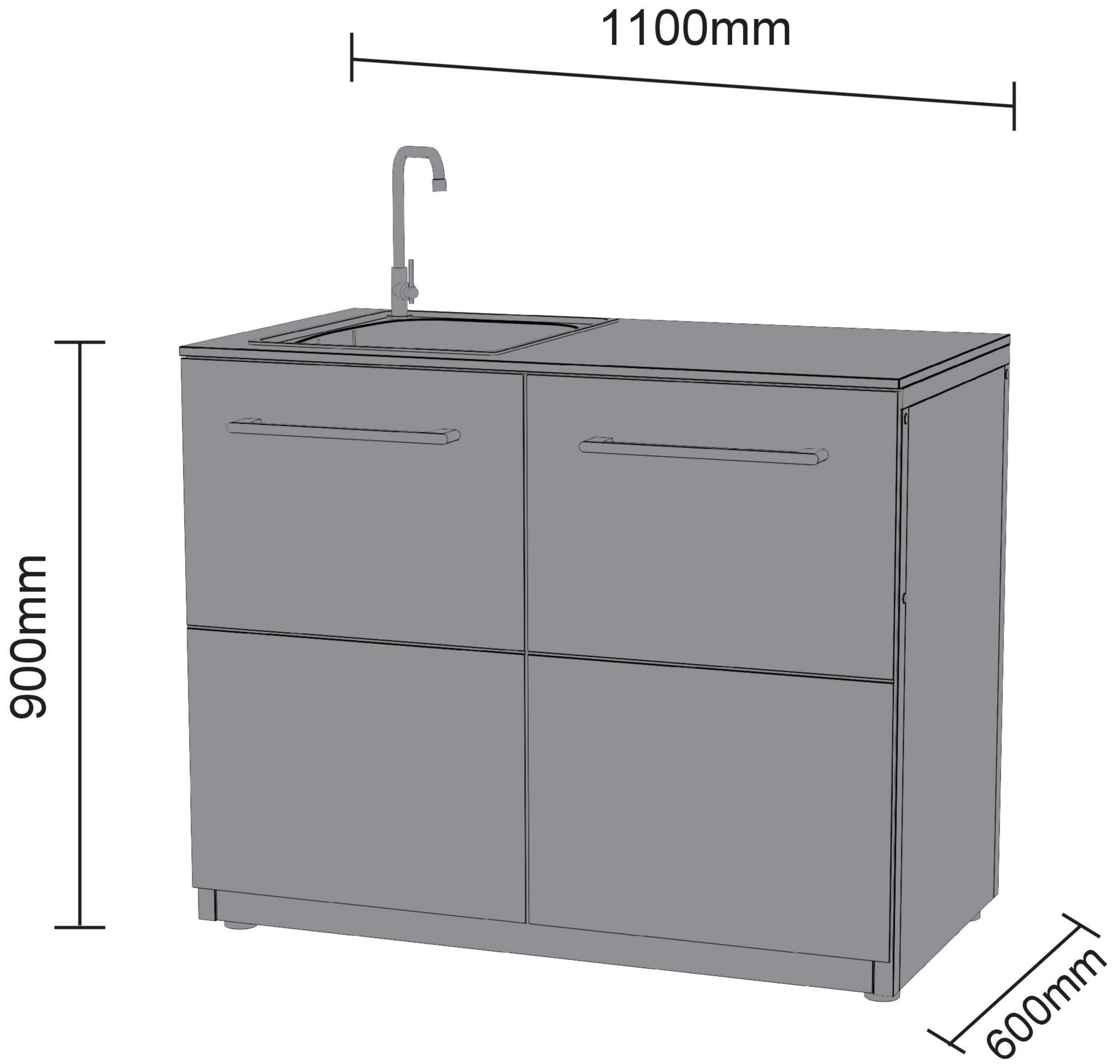
ASSEMBLY INSTRUCTIONS FOR OUTDOOR KITCHEN *Elements* SINK

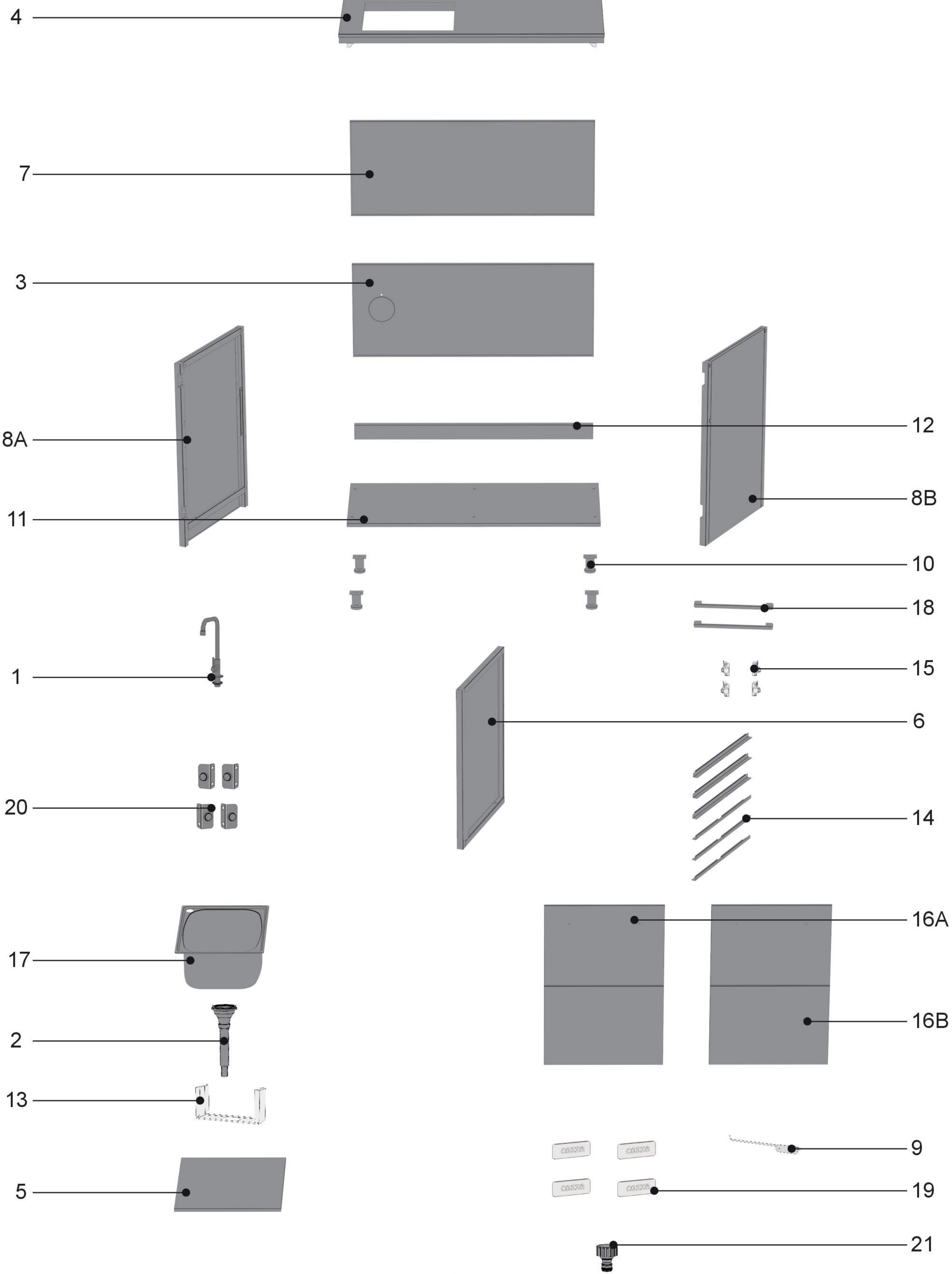


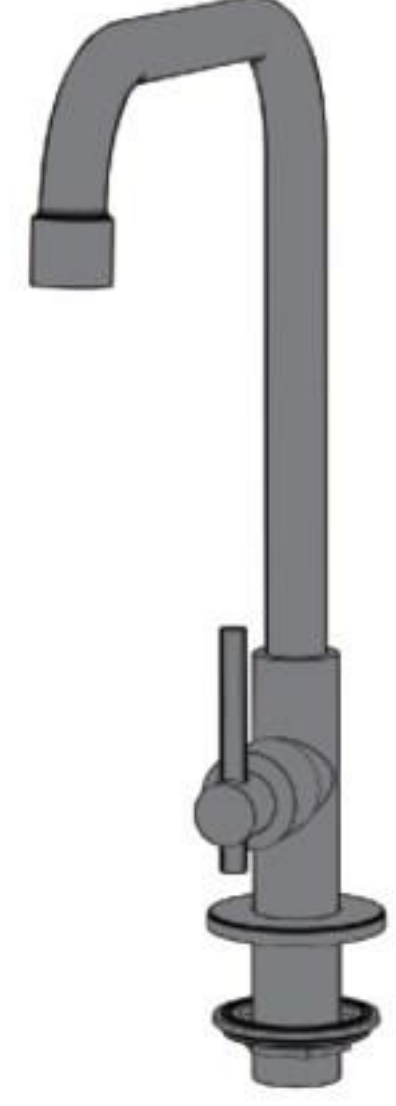
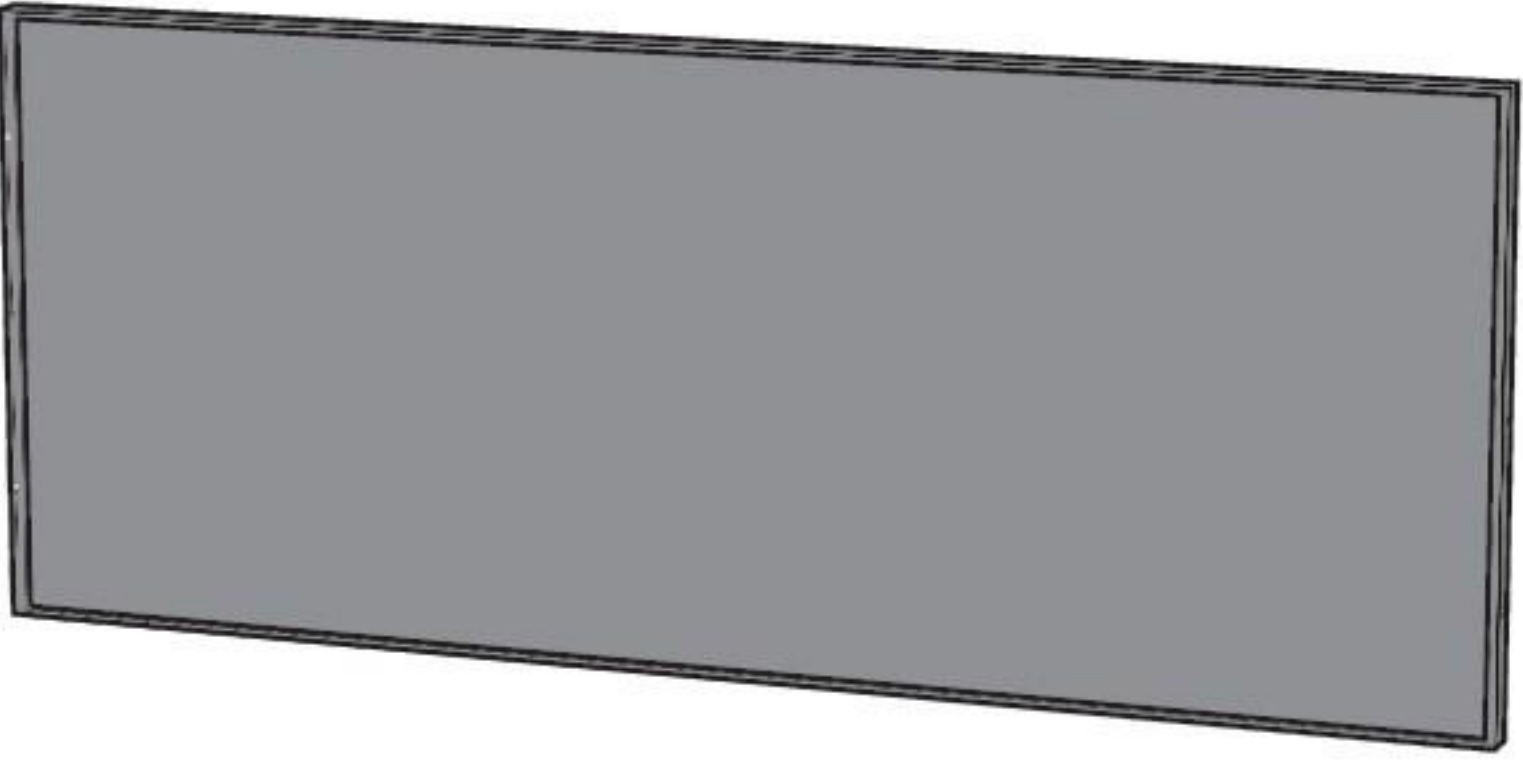
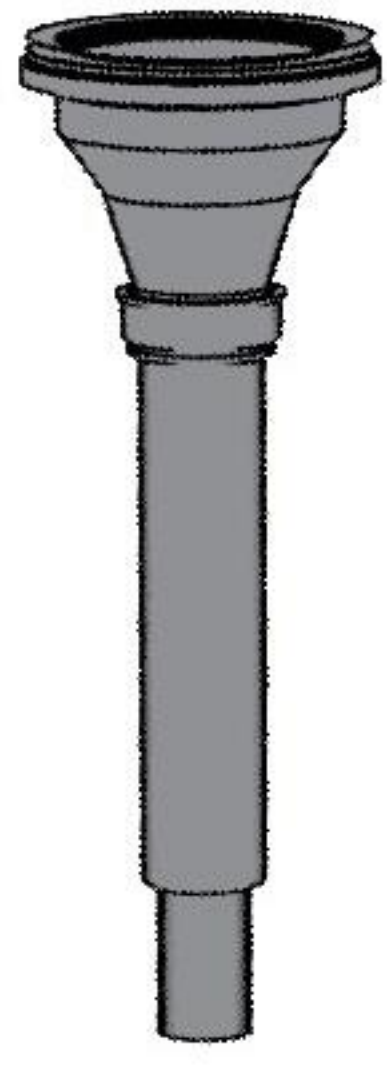
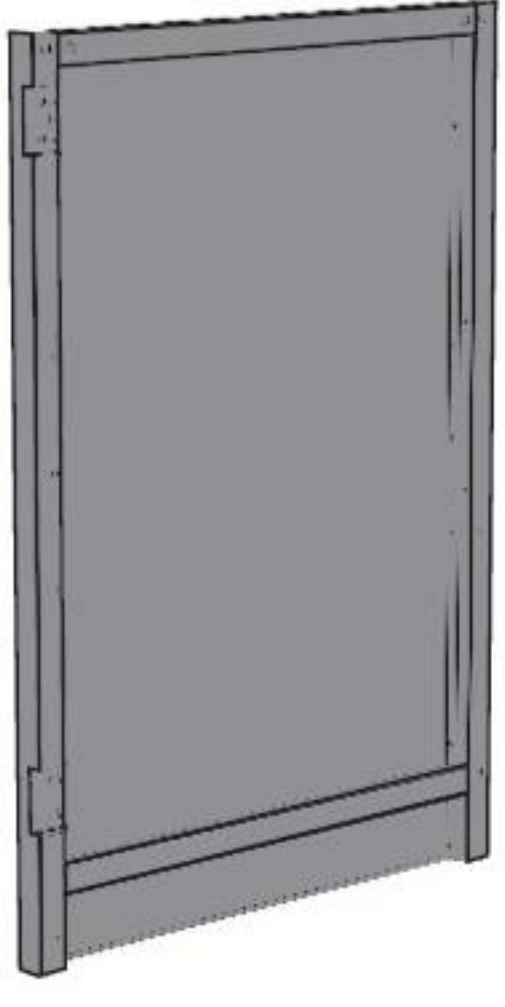
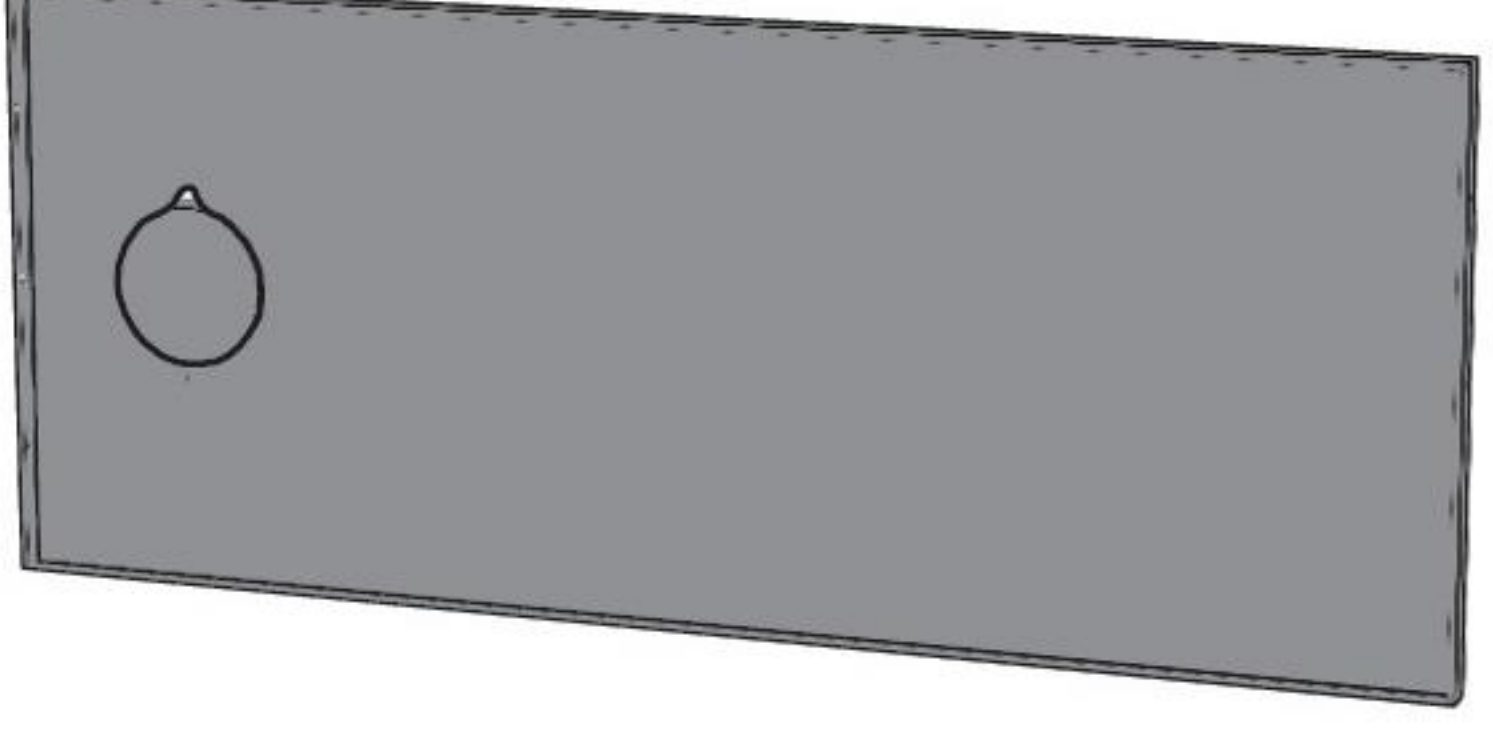
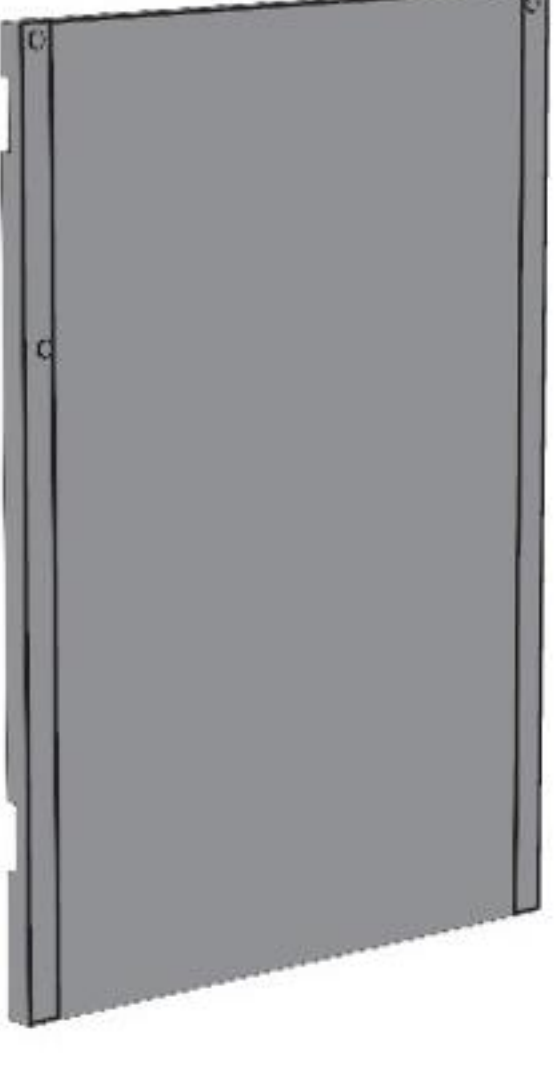
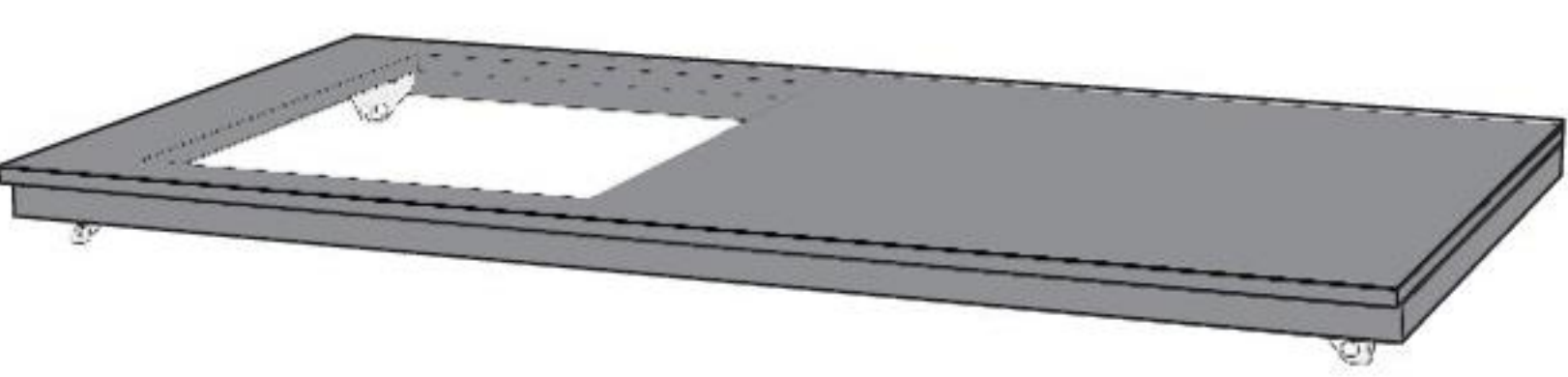
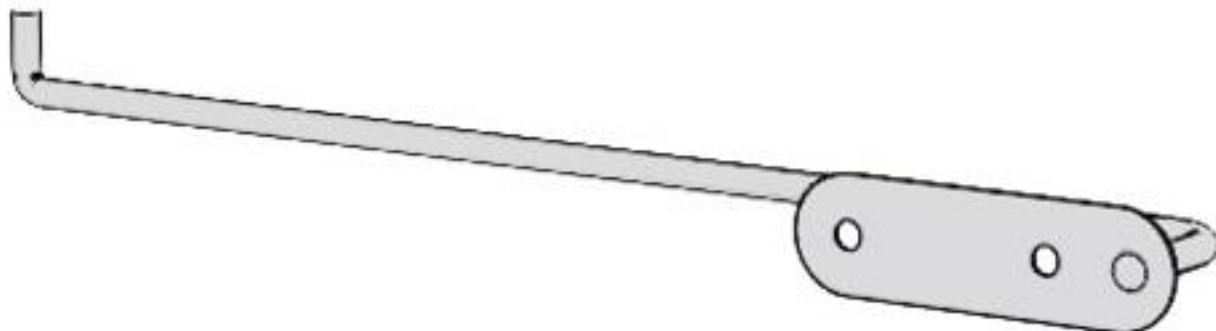
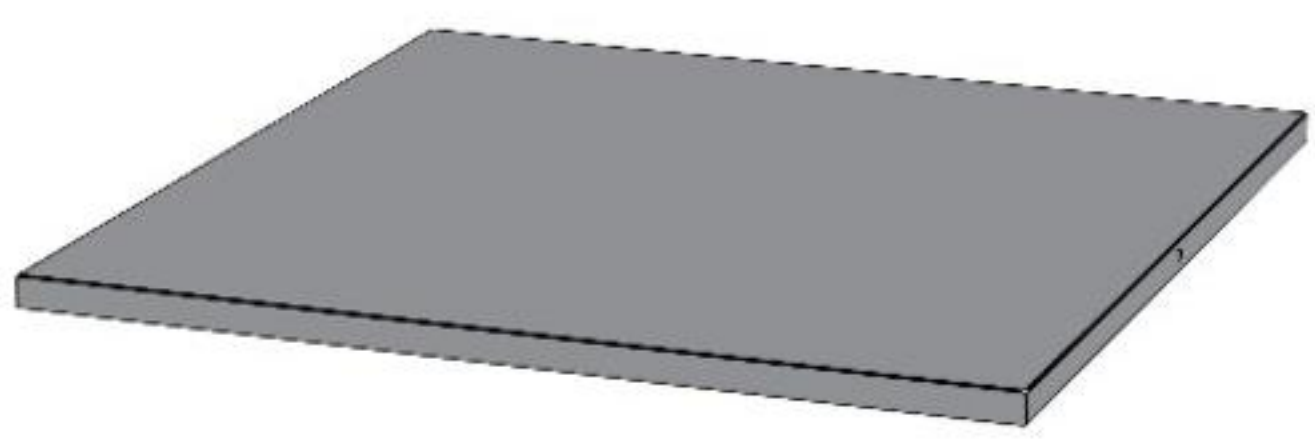
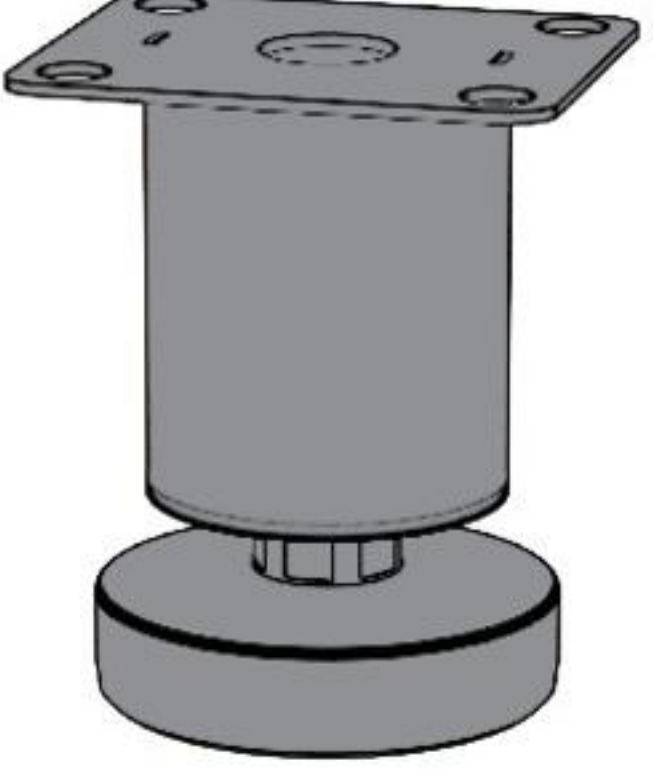
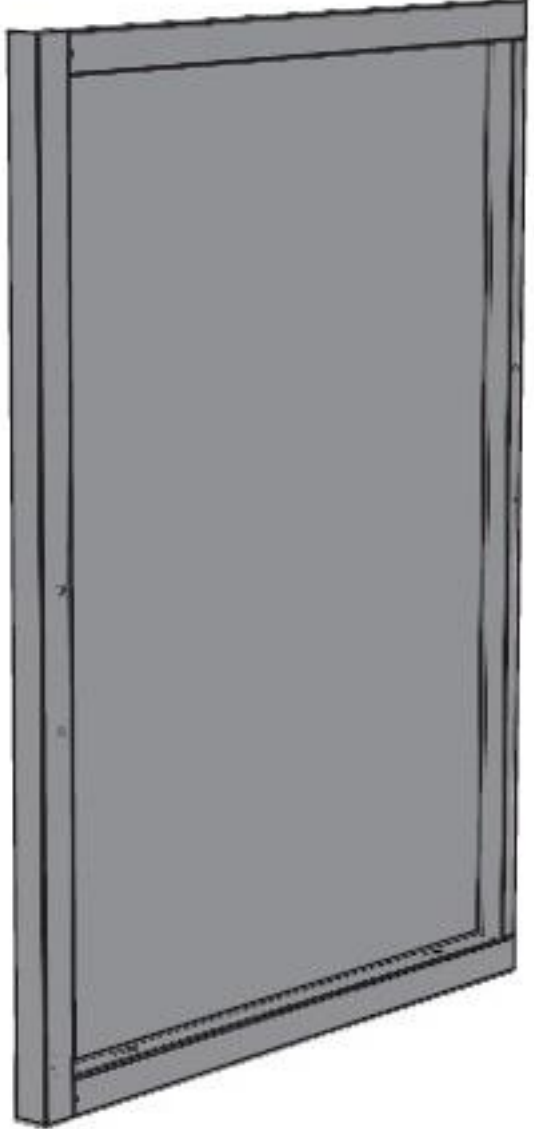
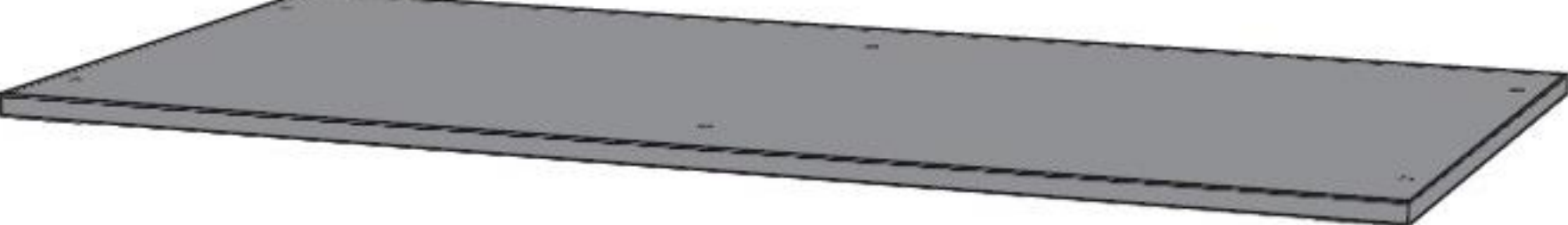
FIND A VIDEO ON HOW TO
ASSEMBLE THE OUTDOOR KITCHEN AT
COZZEBBQ.COM/ASSEMBLY

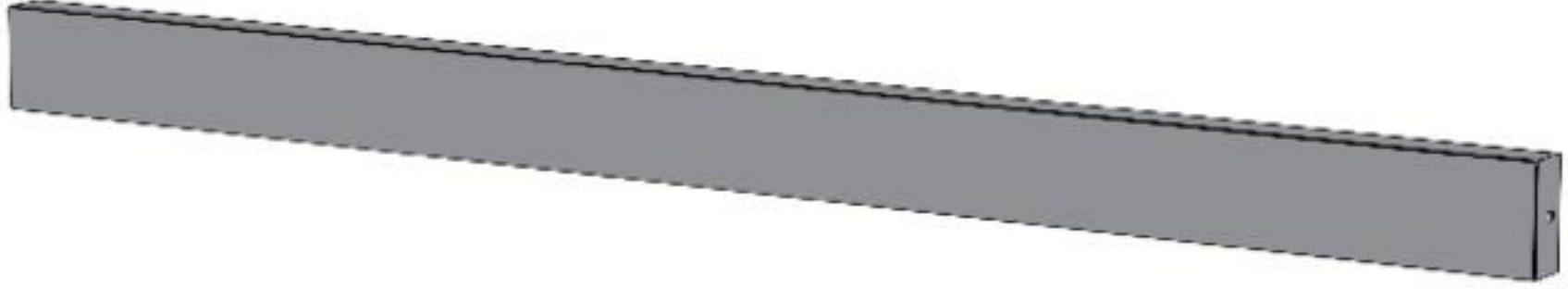
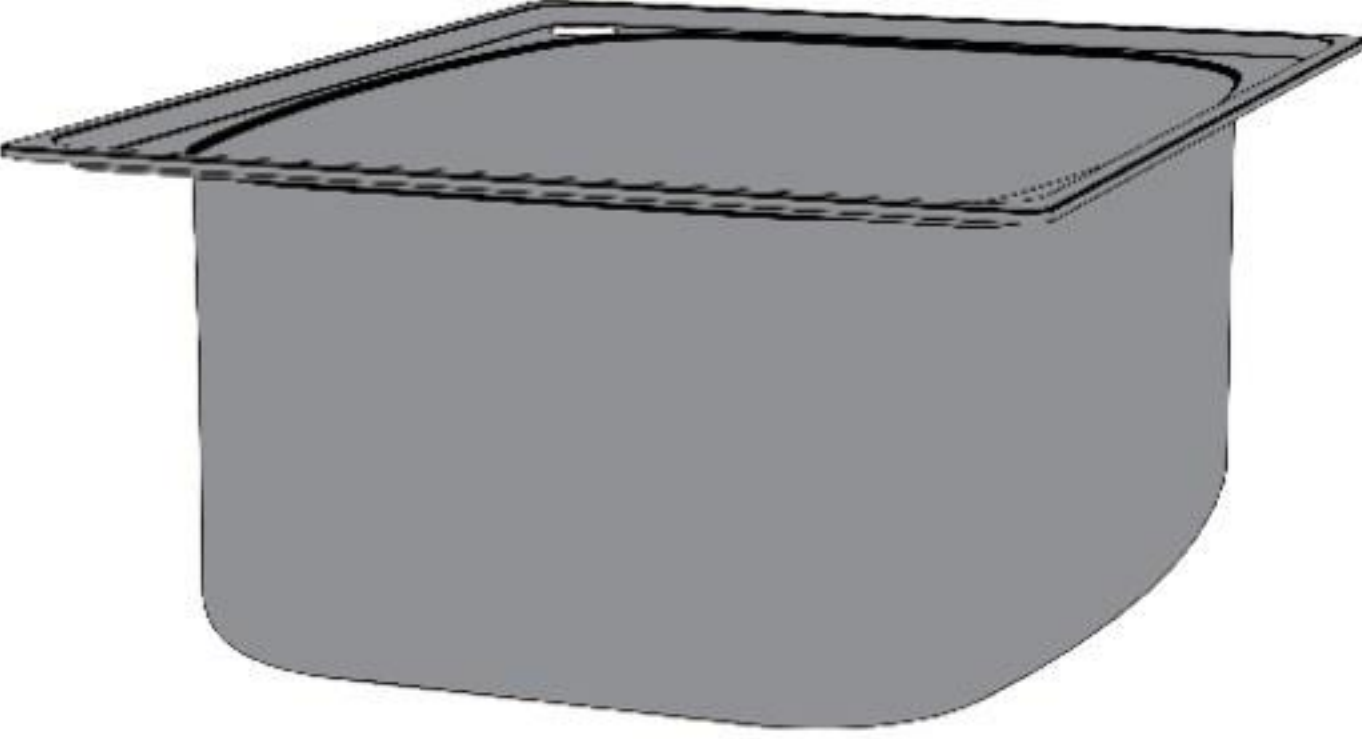
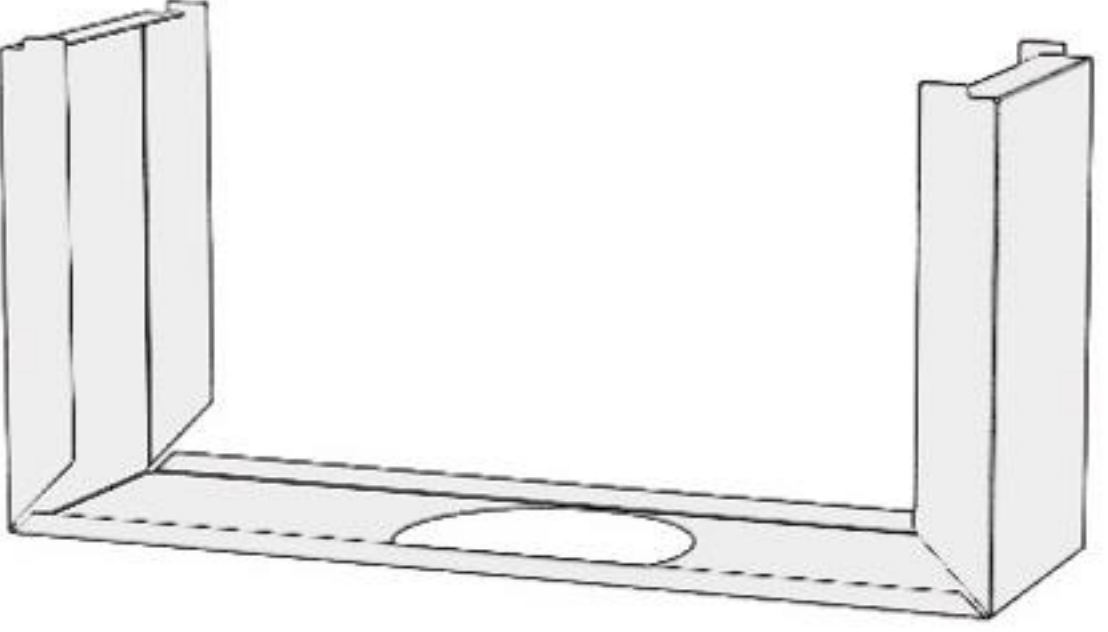
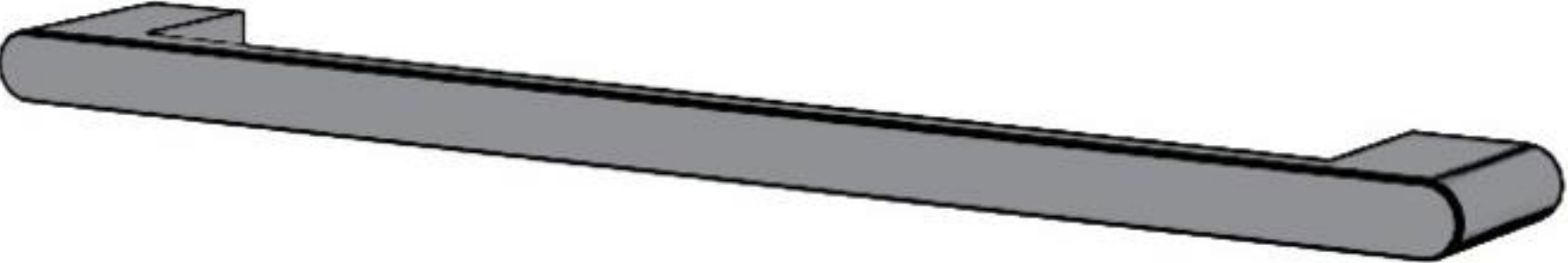


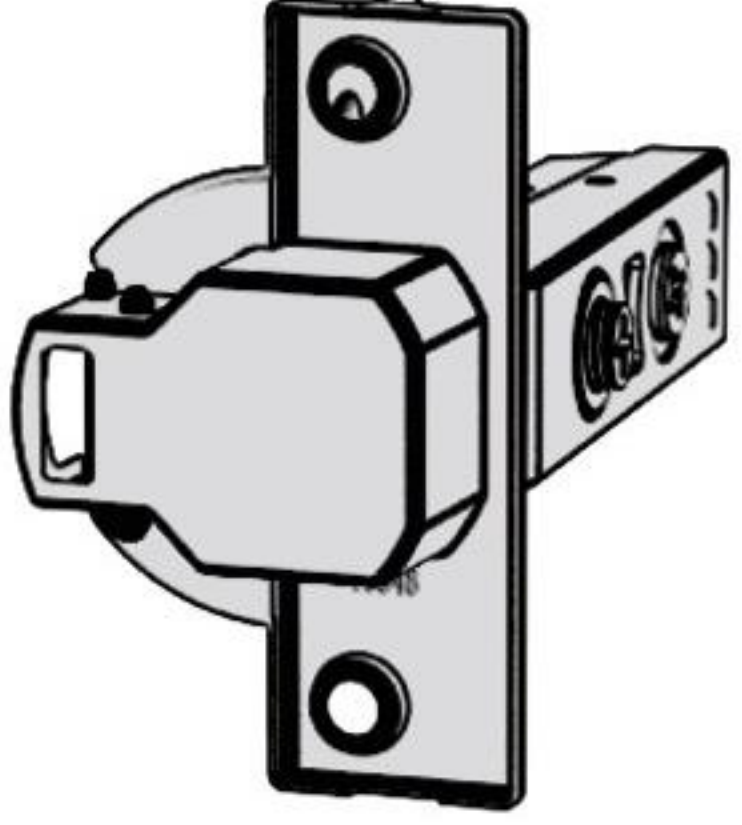

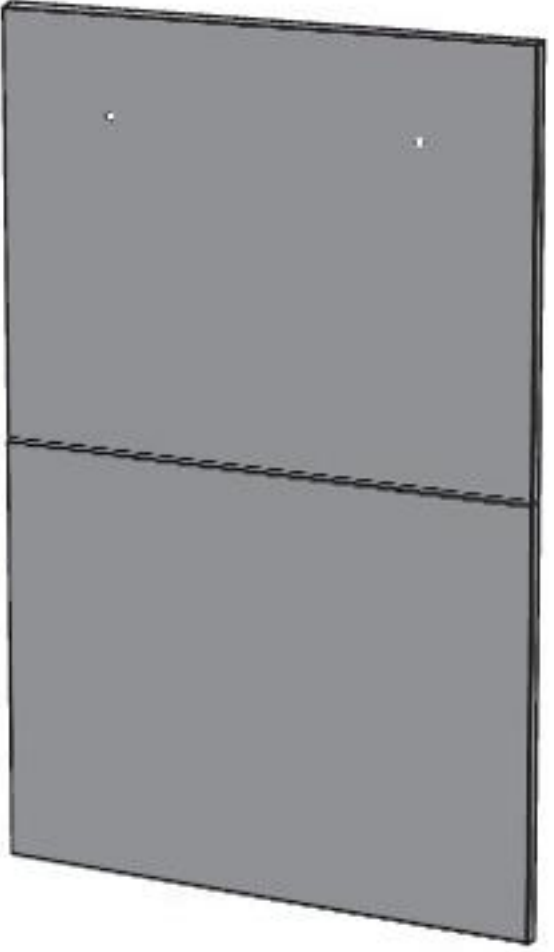

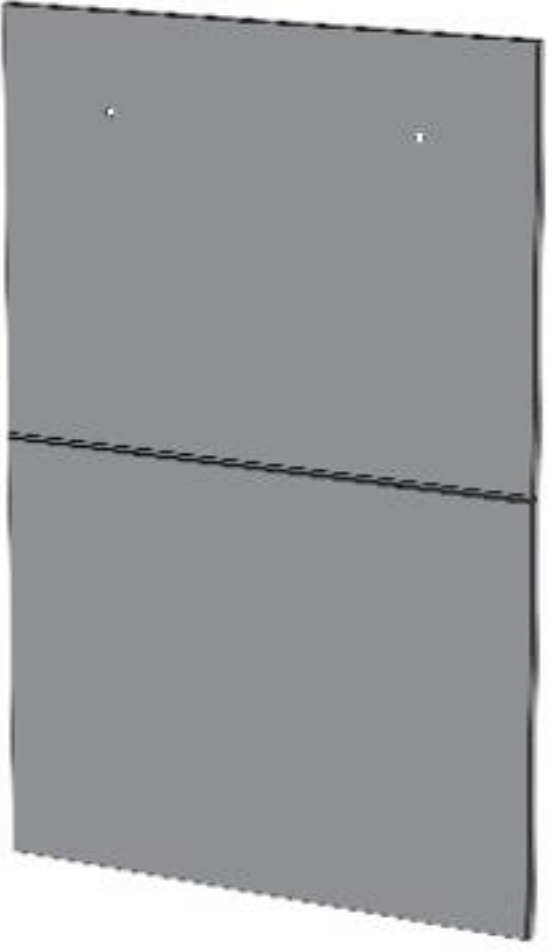



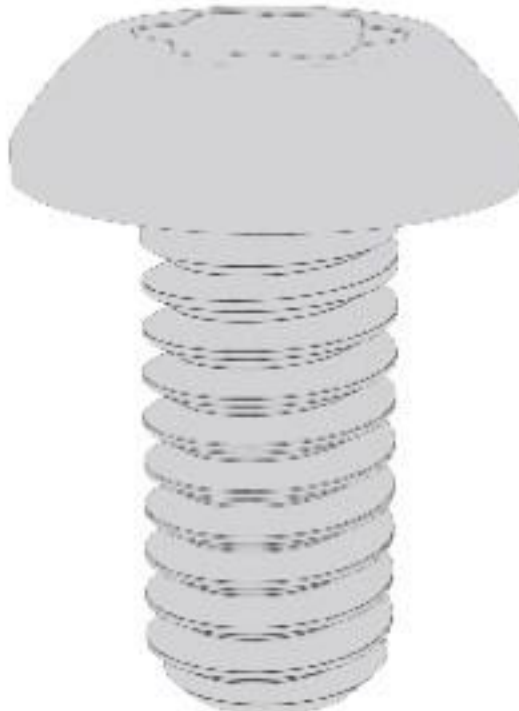
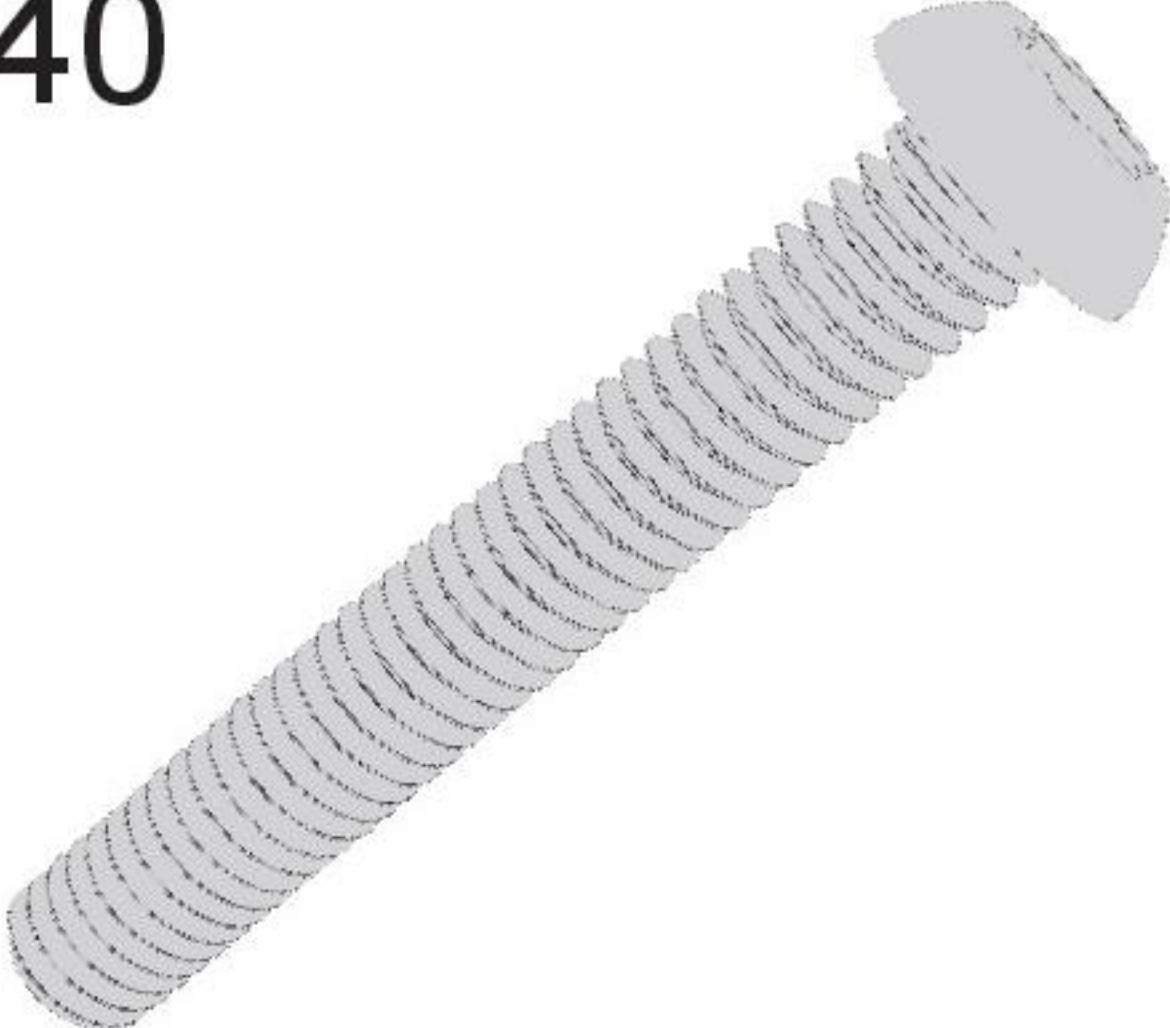



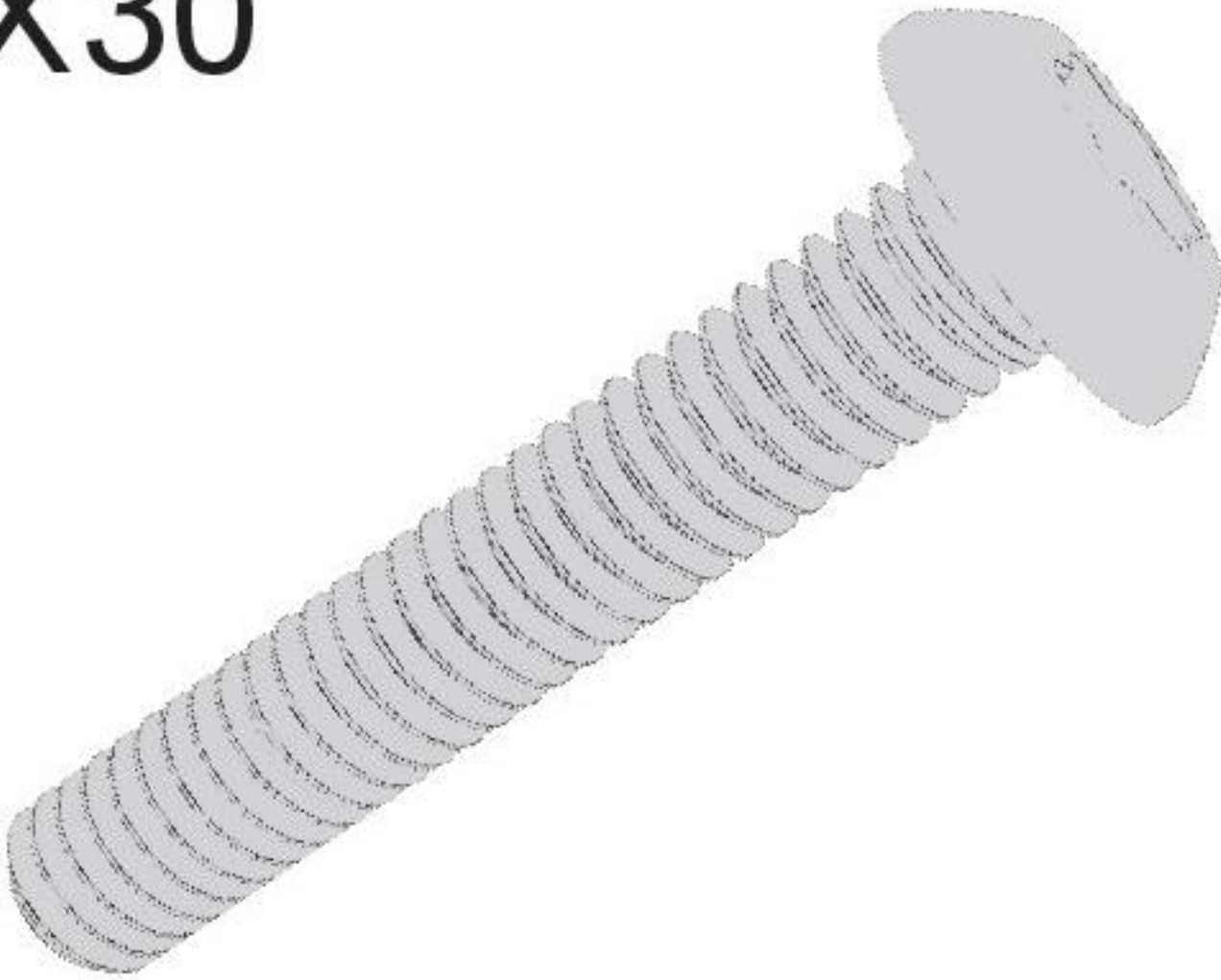

cozze[®]

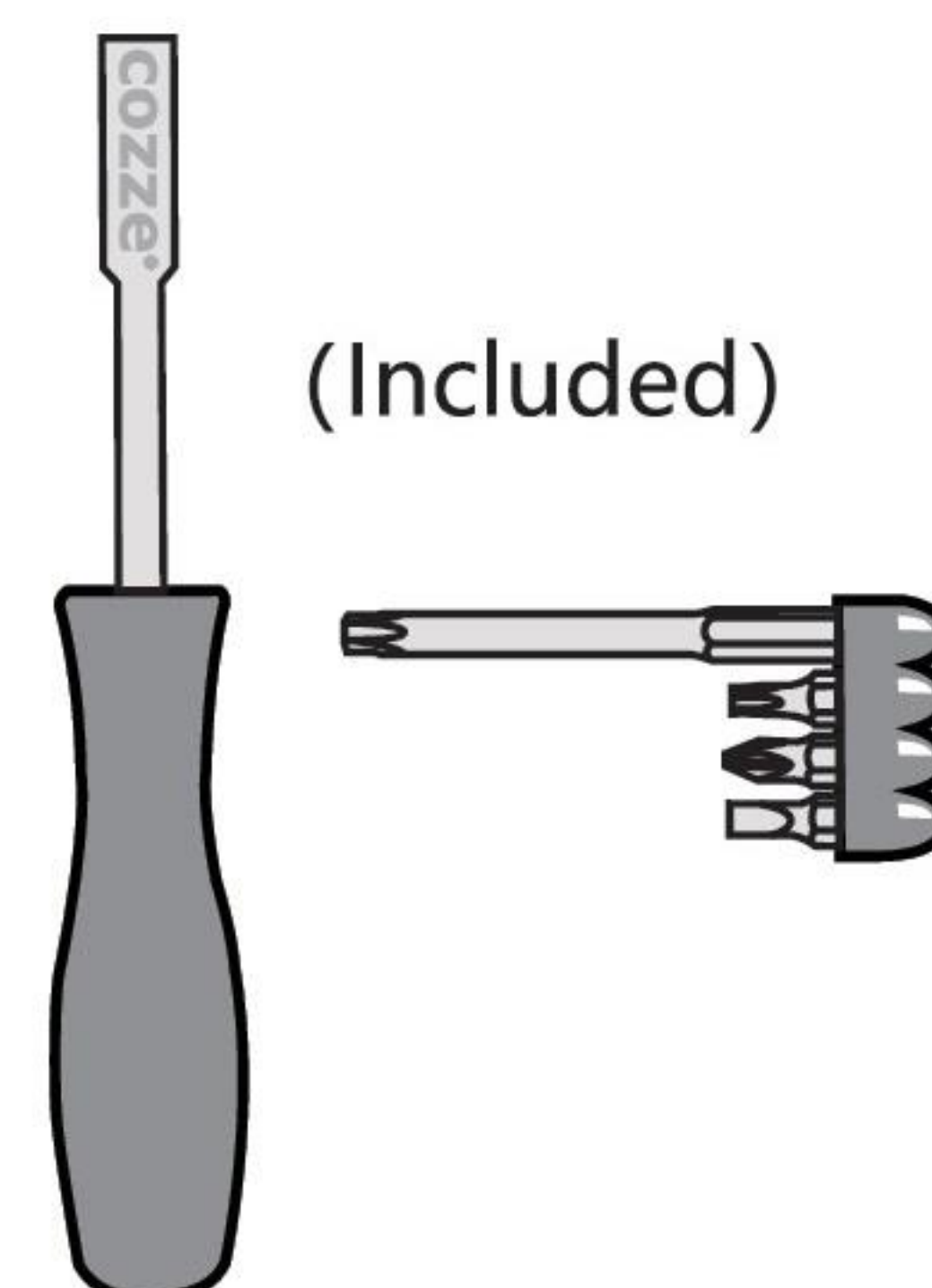
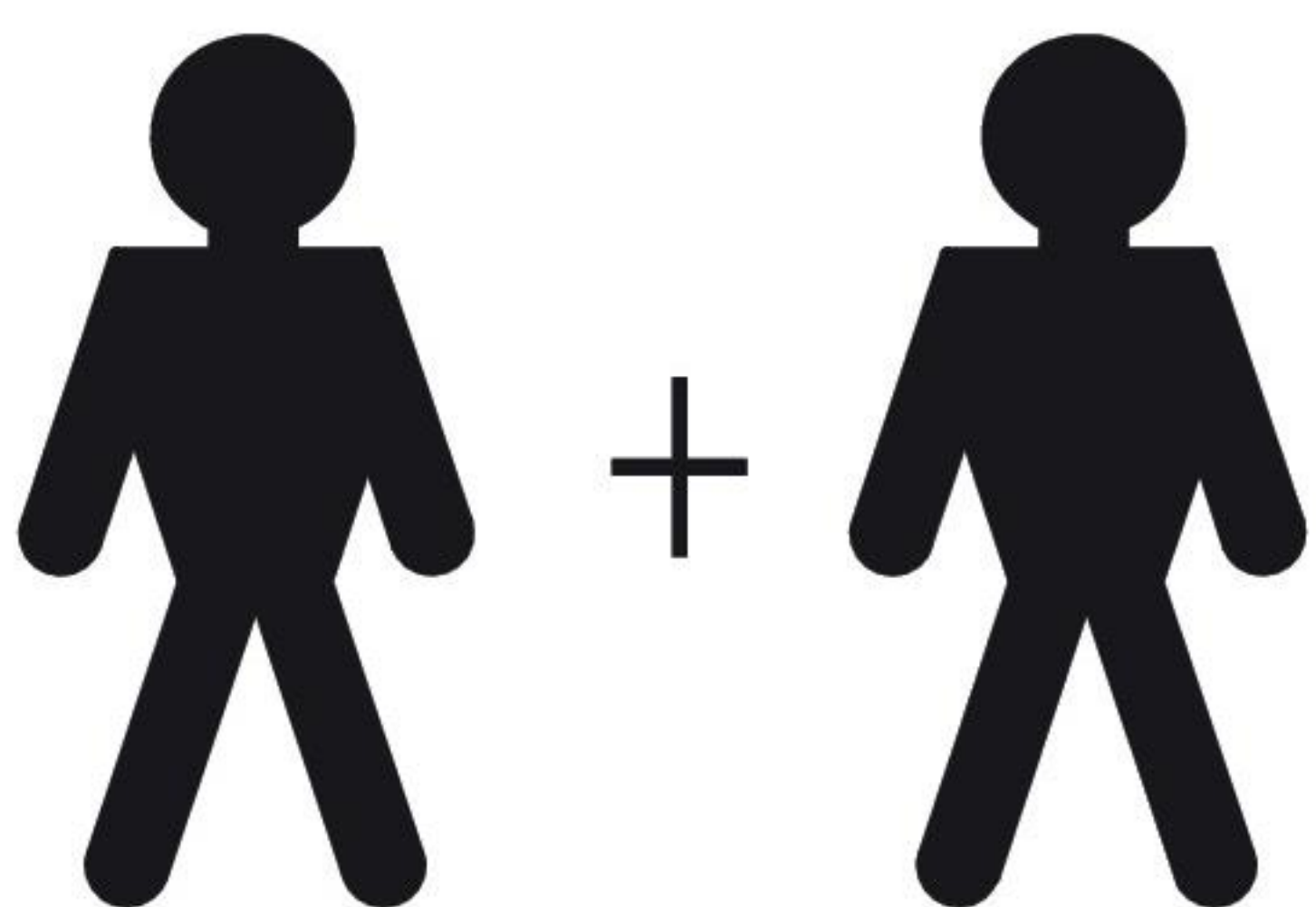


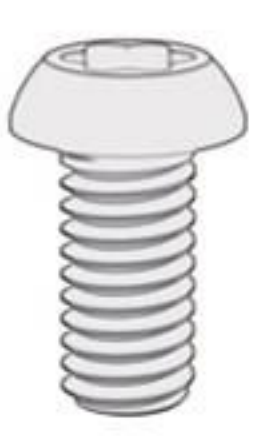


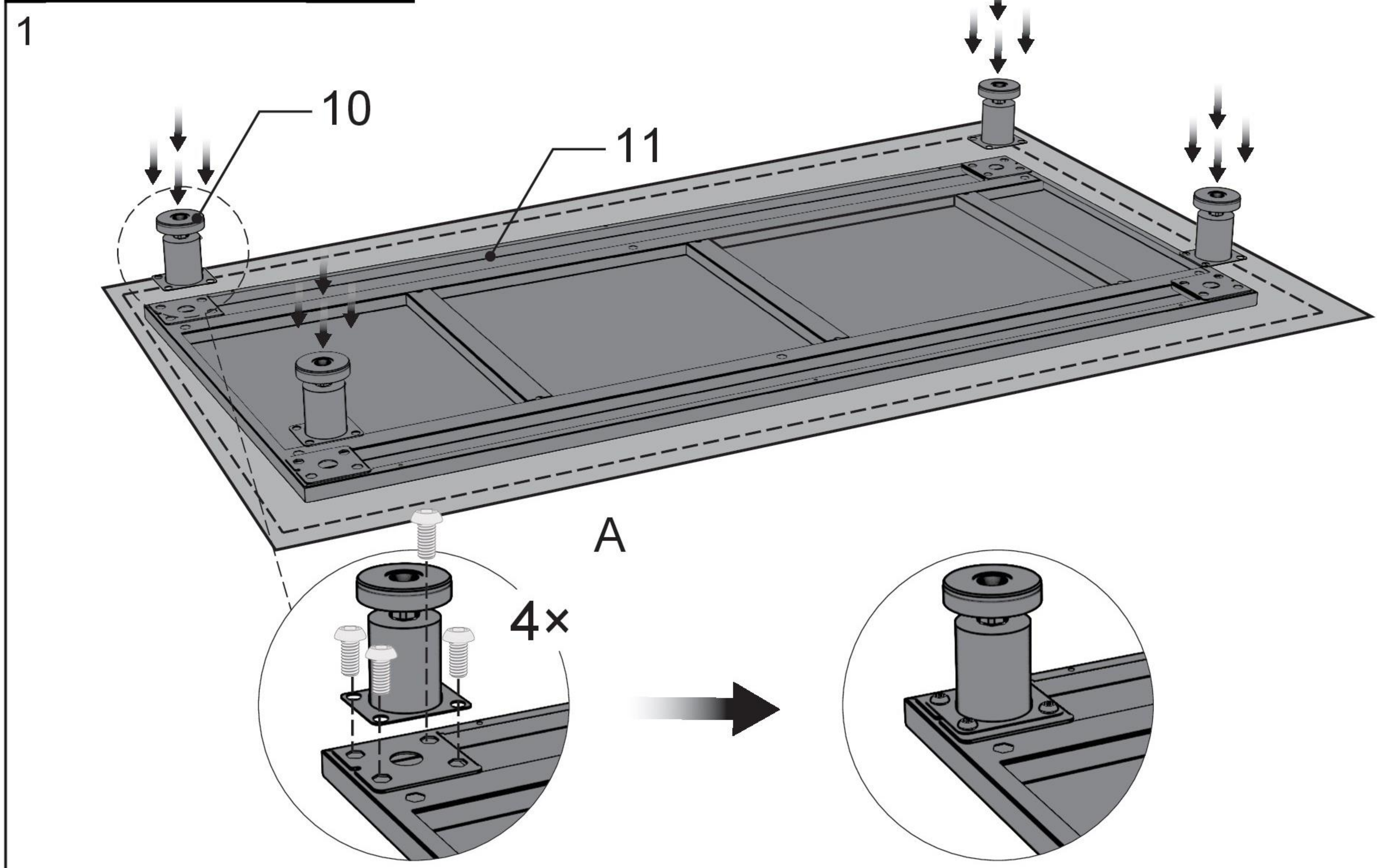
1		1pc.	7		1pc.
2		1pc.	8A		1pc.
3		1pc.	8B		1pc.
4	Independent unit, tabletop 	1pc.	9		1pc.
5		1pc.	10		4pcs.
6		1pc.	11		1pc.


12		1pc.	17		1pc.
13		1pc.	18		2pcs.
14		6pcs.	19		4pcs.
15		4pcs.	20		4pcs.
16A	Left 	1pc.	21		1pc.
16B	Right 	1pc.			

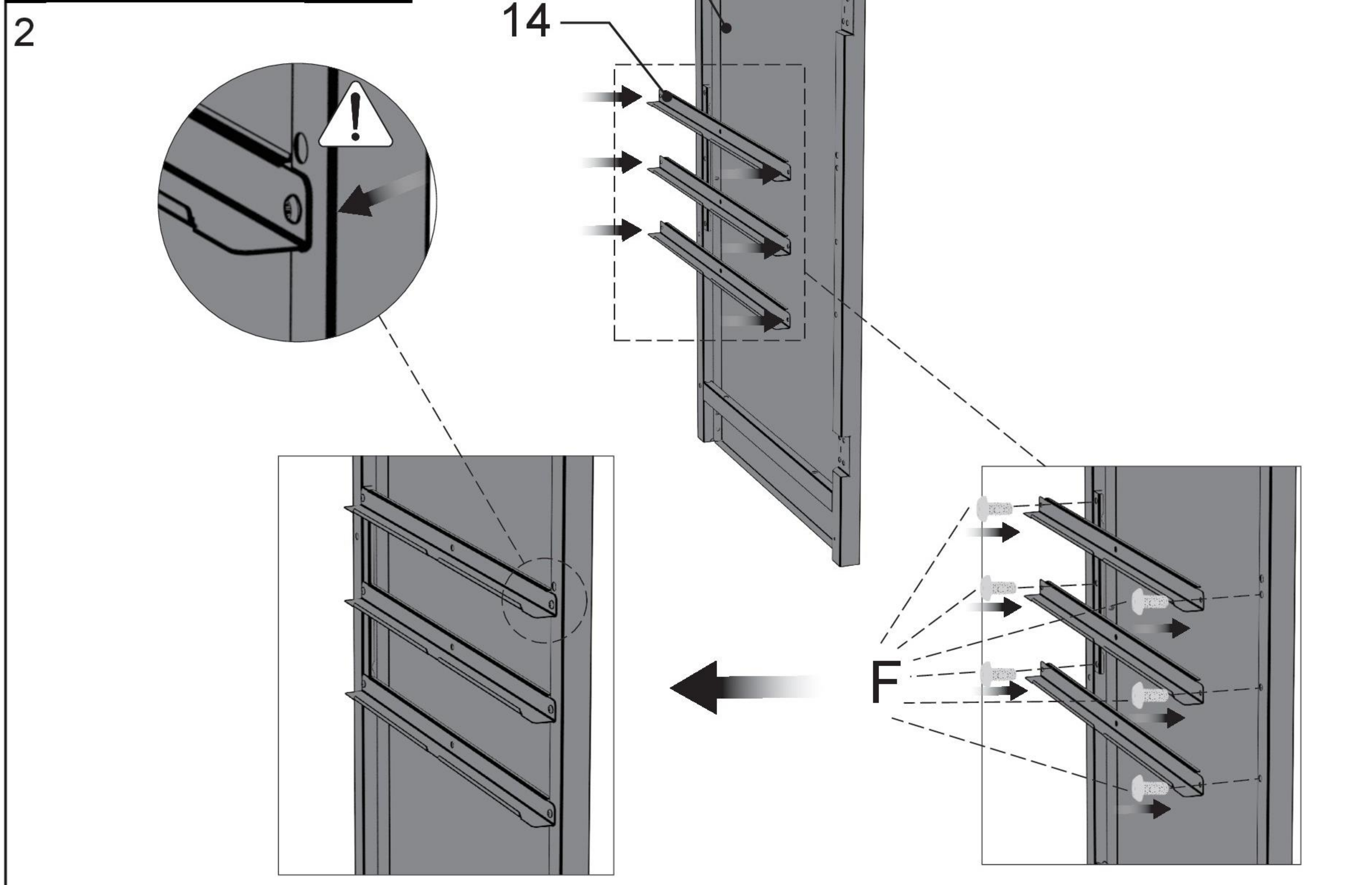
A	M6X12 	16pcs.	F	M4X8 	29pcs.
B	M6X40 	8pcs.	J	M6X12-SS 	4pcs.
C	ST4.2X10 	5pcs.	L	M4X12-SS 	24pcs.
I	M4X30 	4pcs.	D	Φ16XΦ6.5 	4pcs.




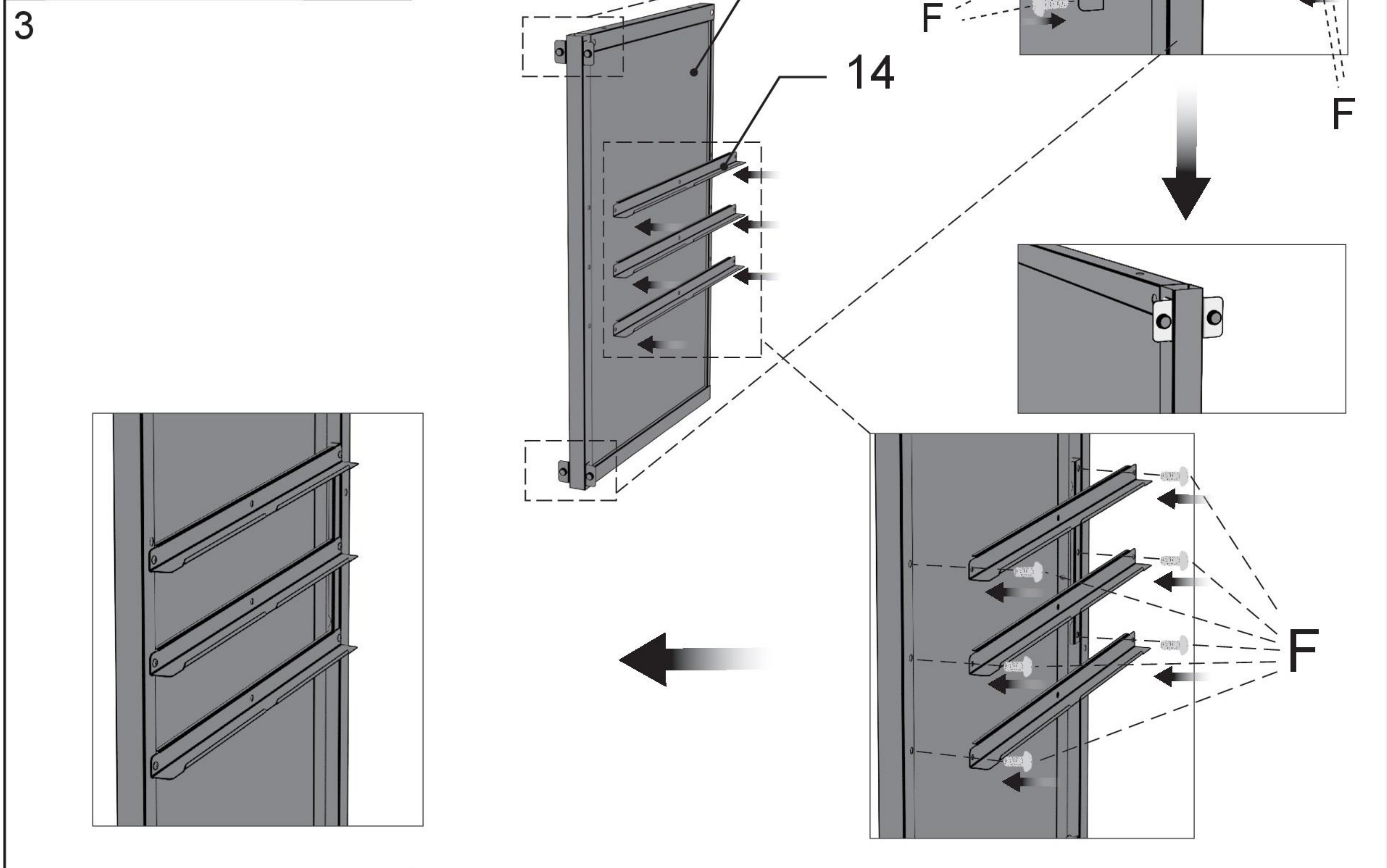
A	<p>M6X12</p> 	16pcs.
---	--	--------




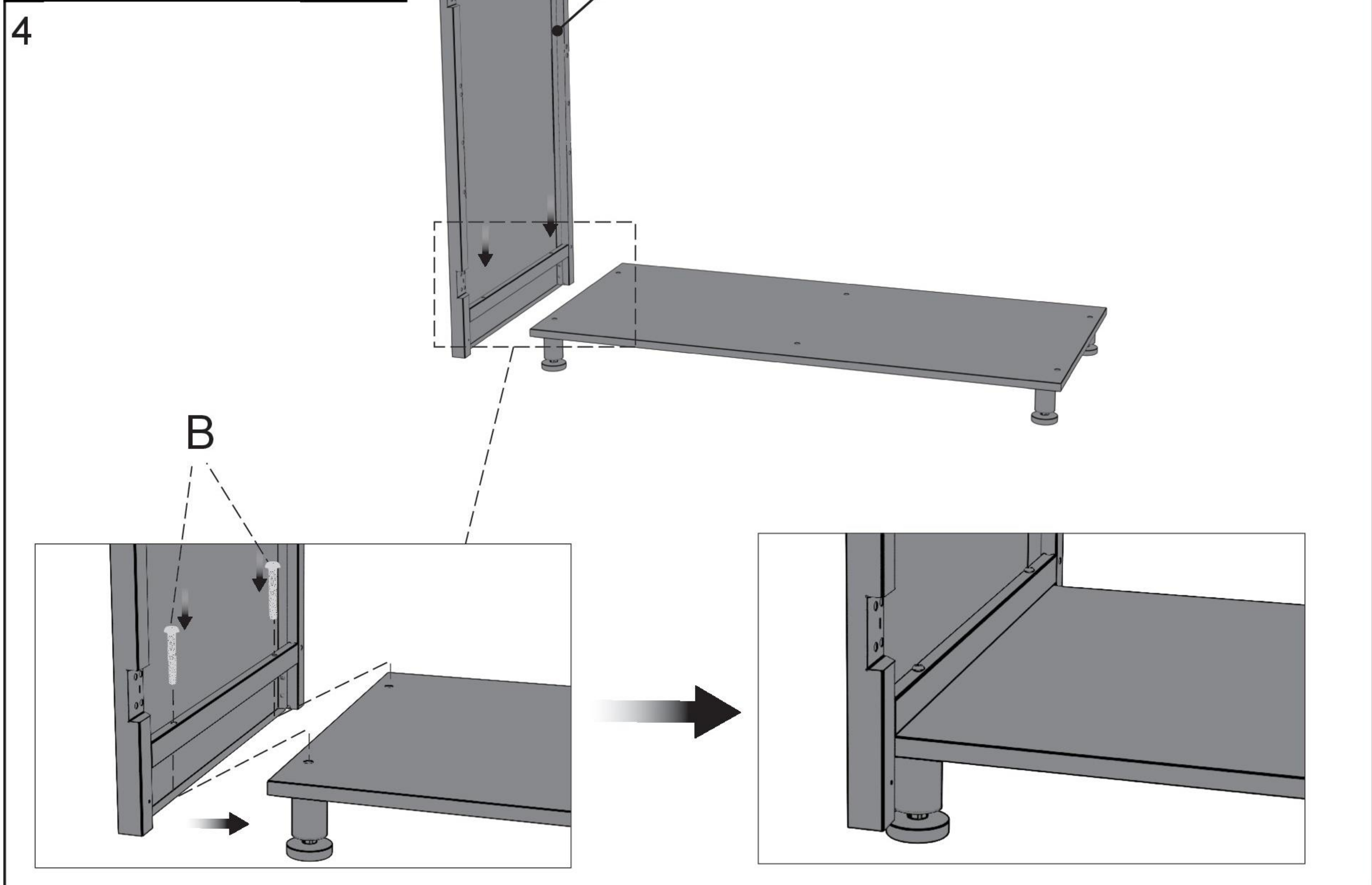
F	<p>M4X8</p> 	6pcs.
---	---	-------

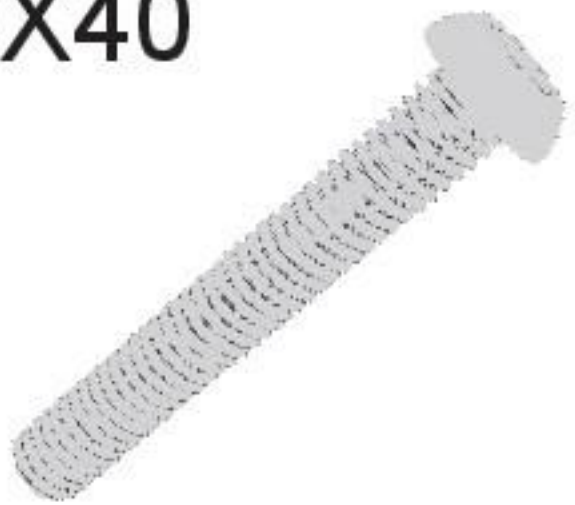


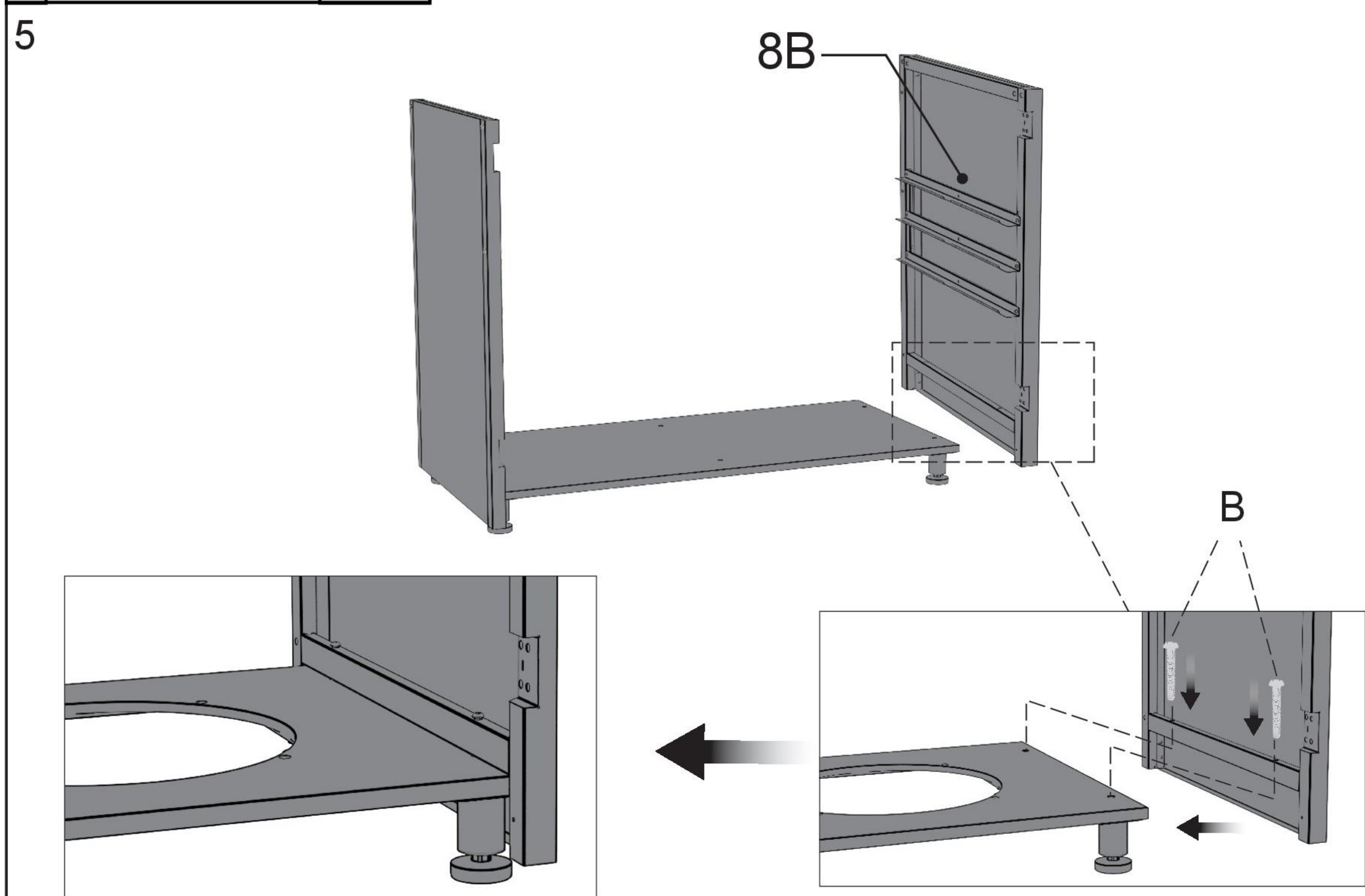
F	M4X8 	14pcs.
---	---	--------




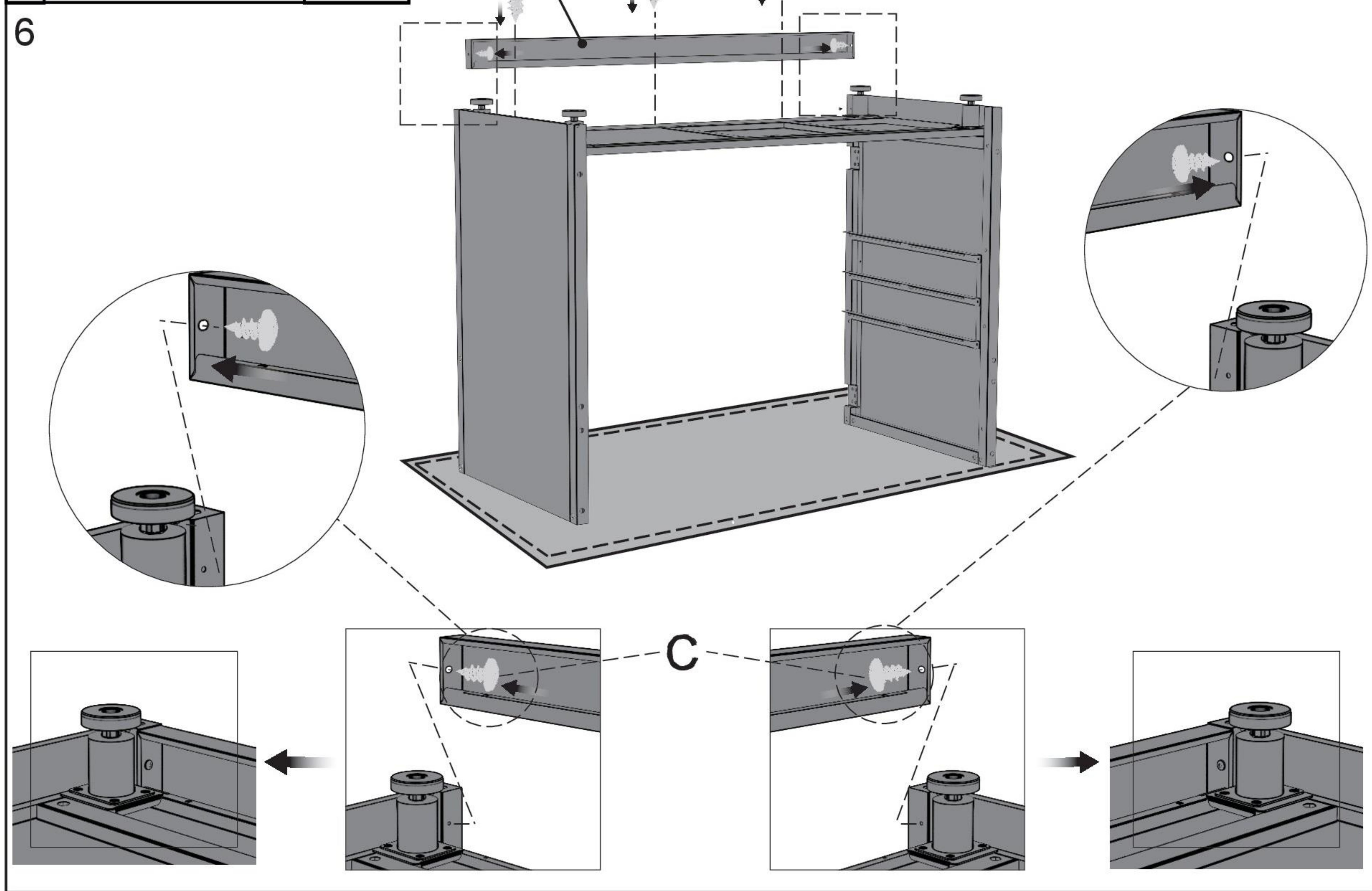
B	M6X40 	2pcs.
---	--	-------

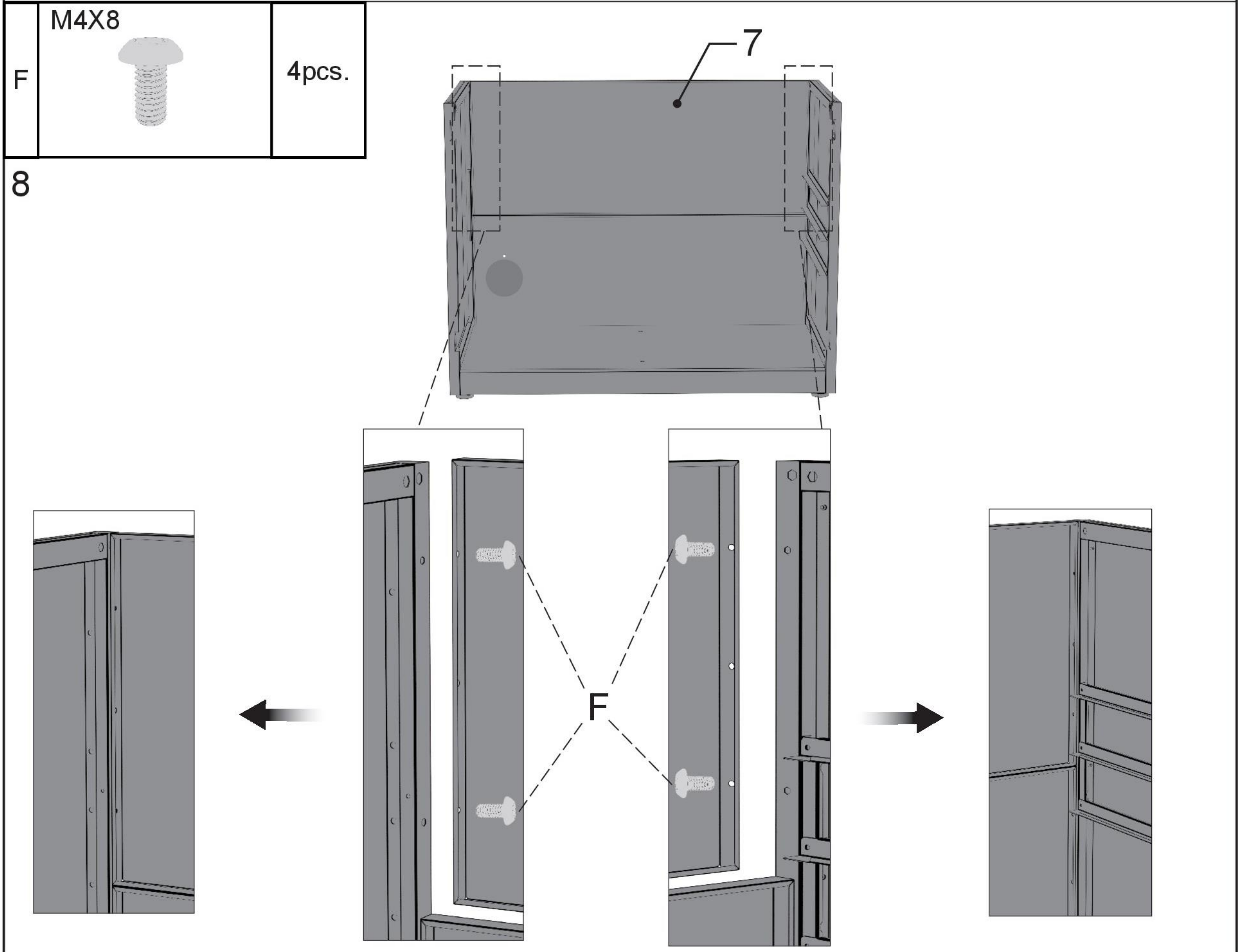
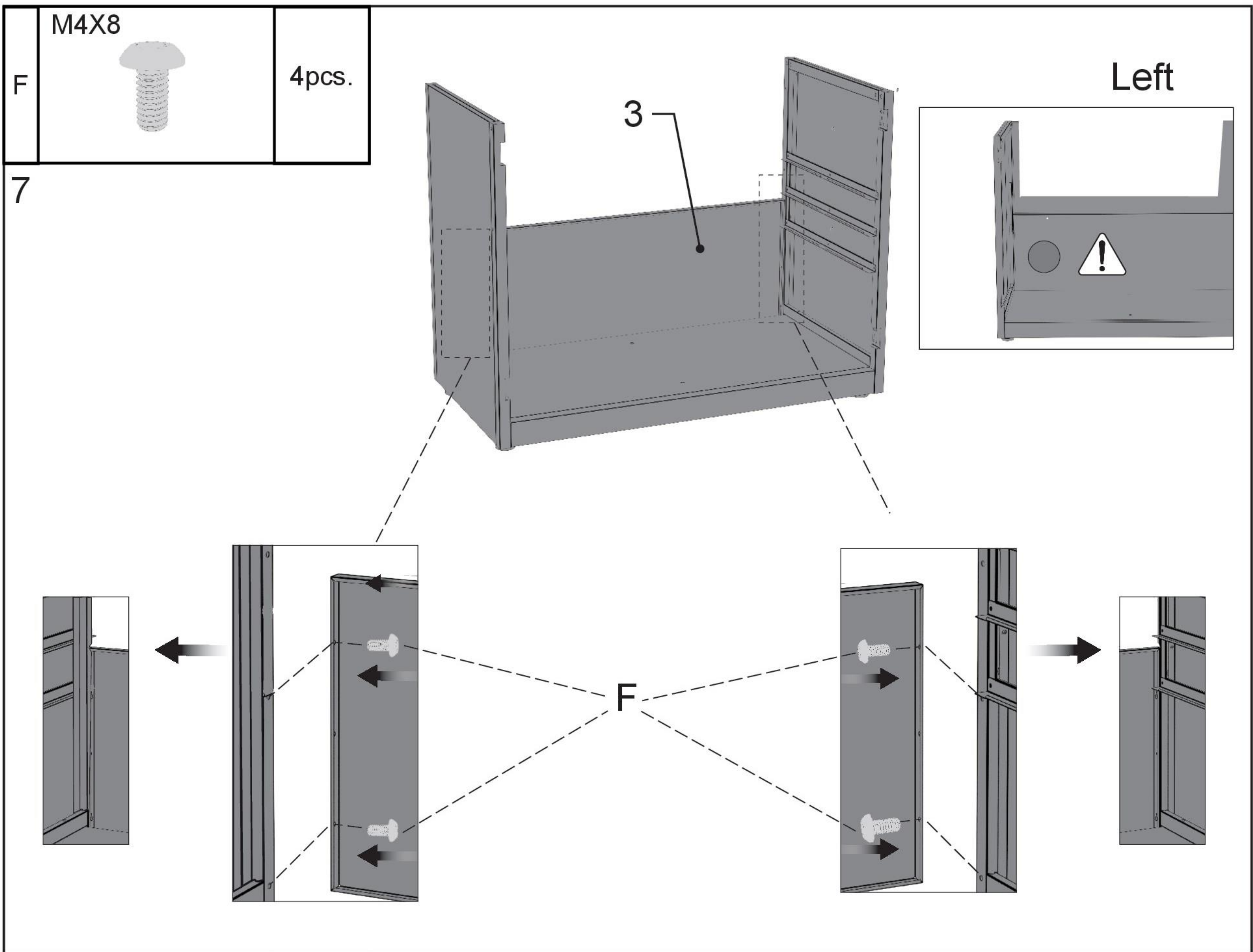



B	M6X40 	2pcs.
---	--	-------



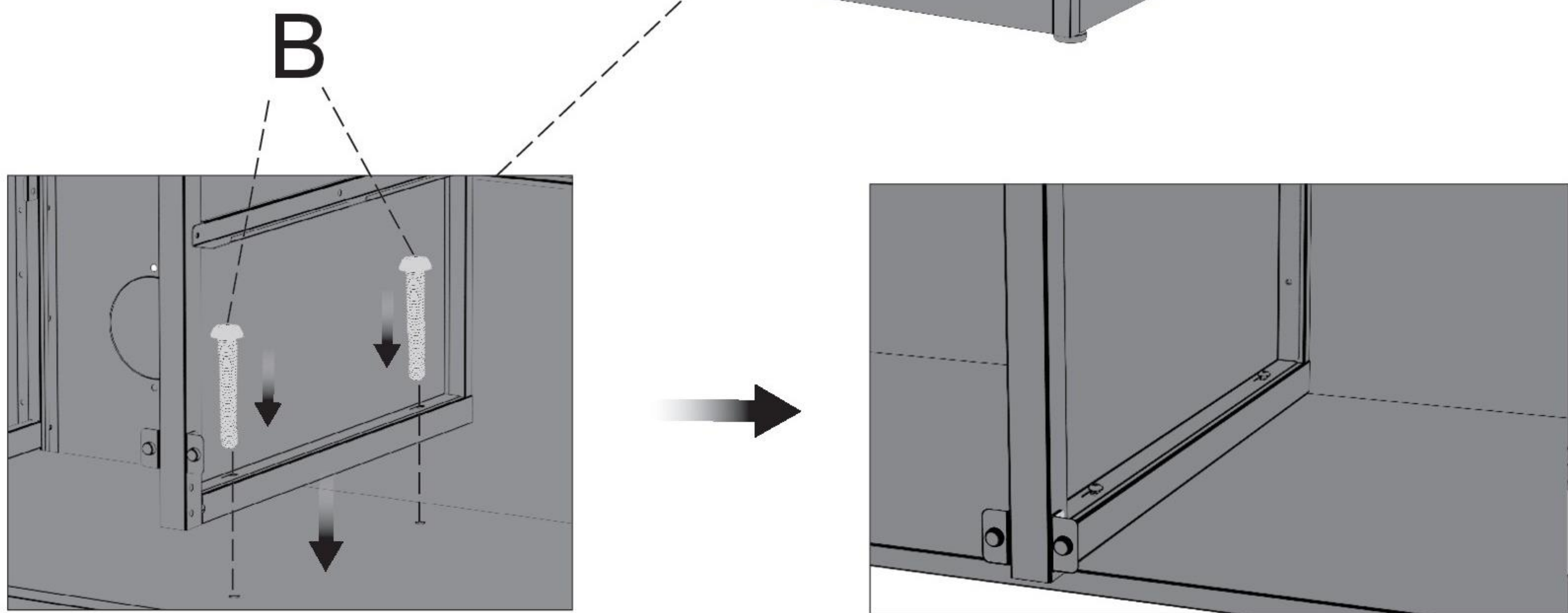
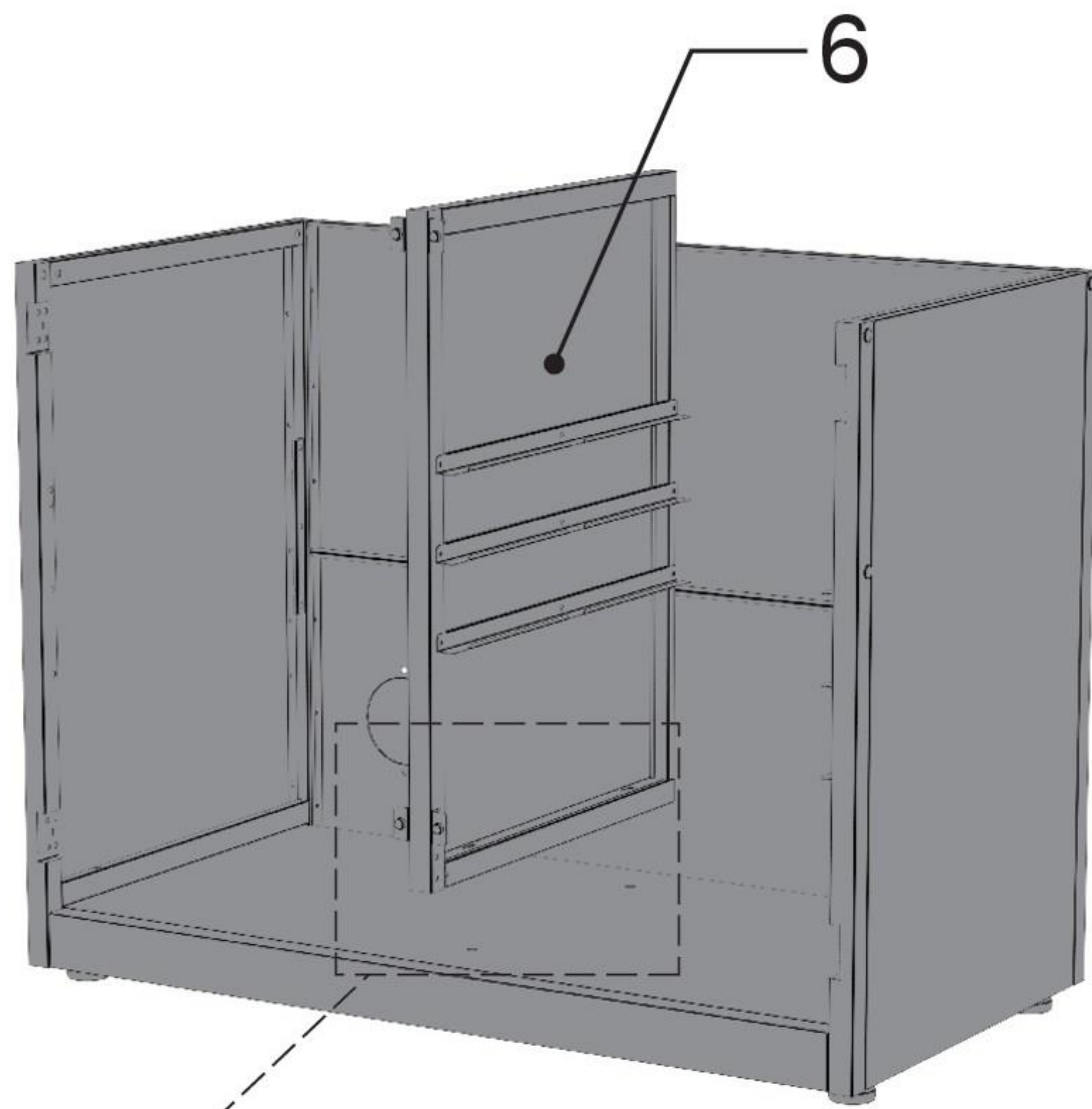
C	ST4.2X10 	5pcs.
---	---	-------








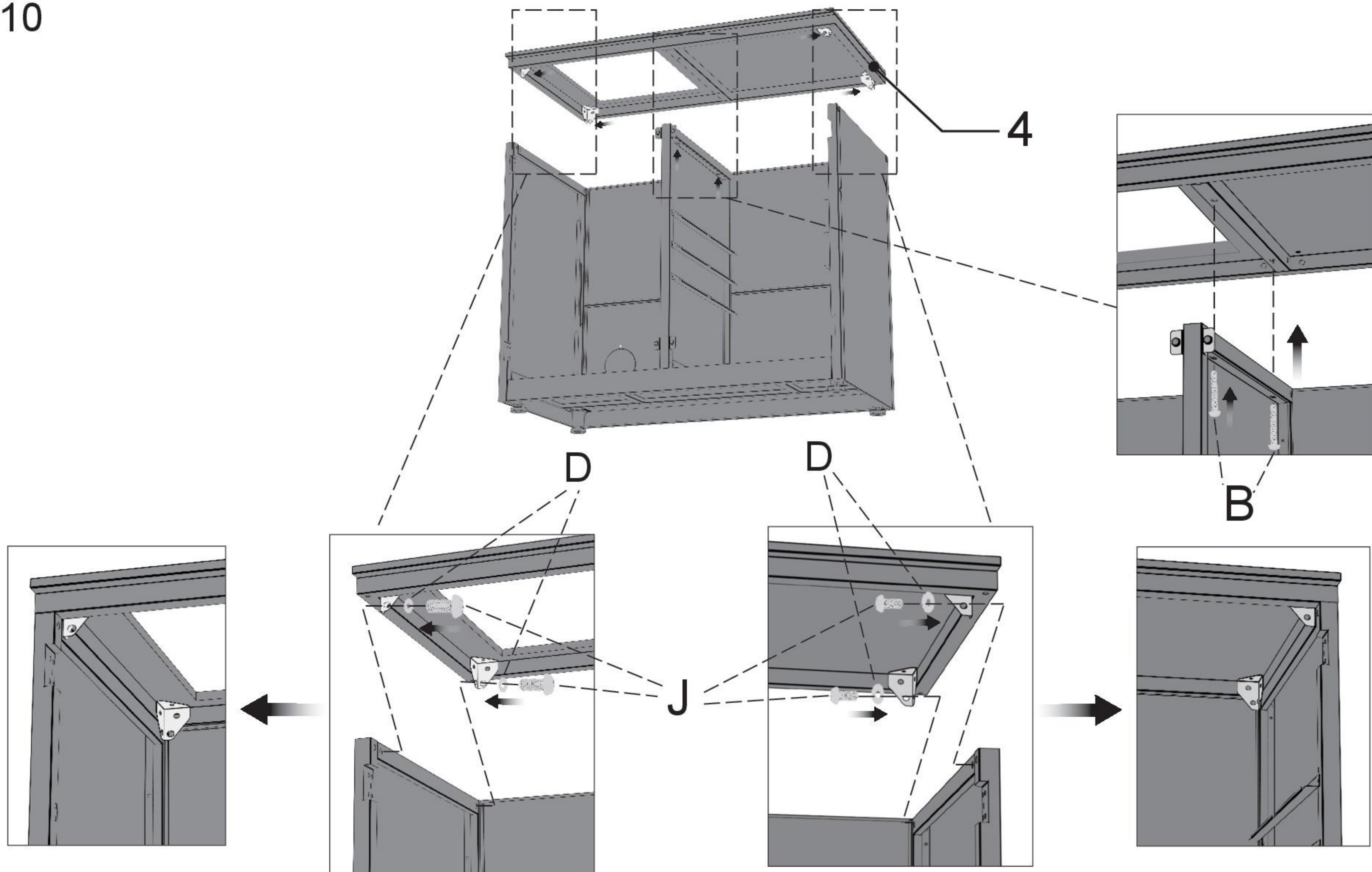
B	M6X40 	2pcs.
---	--	-------

9

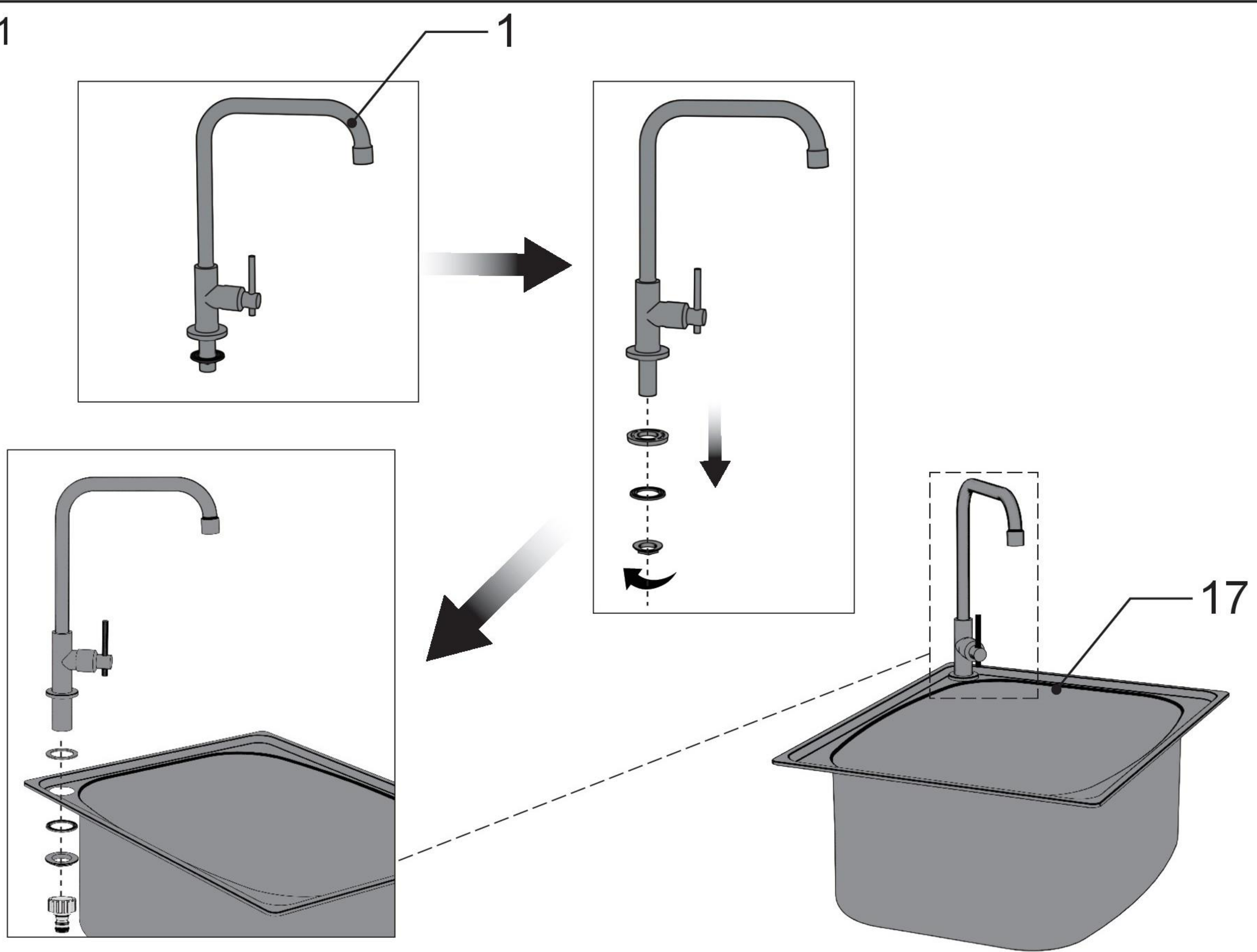


J	M6X12-SS 	4pcs.	B	M6X40 	2pcs.	D	$\phi 16 \times \phi 6.5$ 	4pcs.
---	---	-------	---	---	-------	---	--	-------

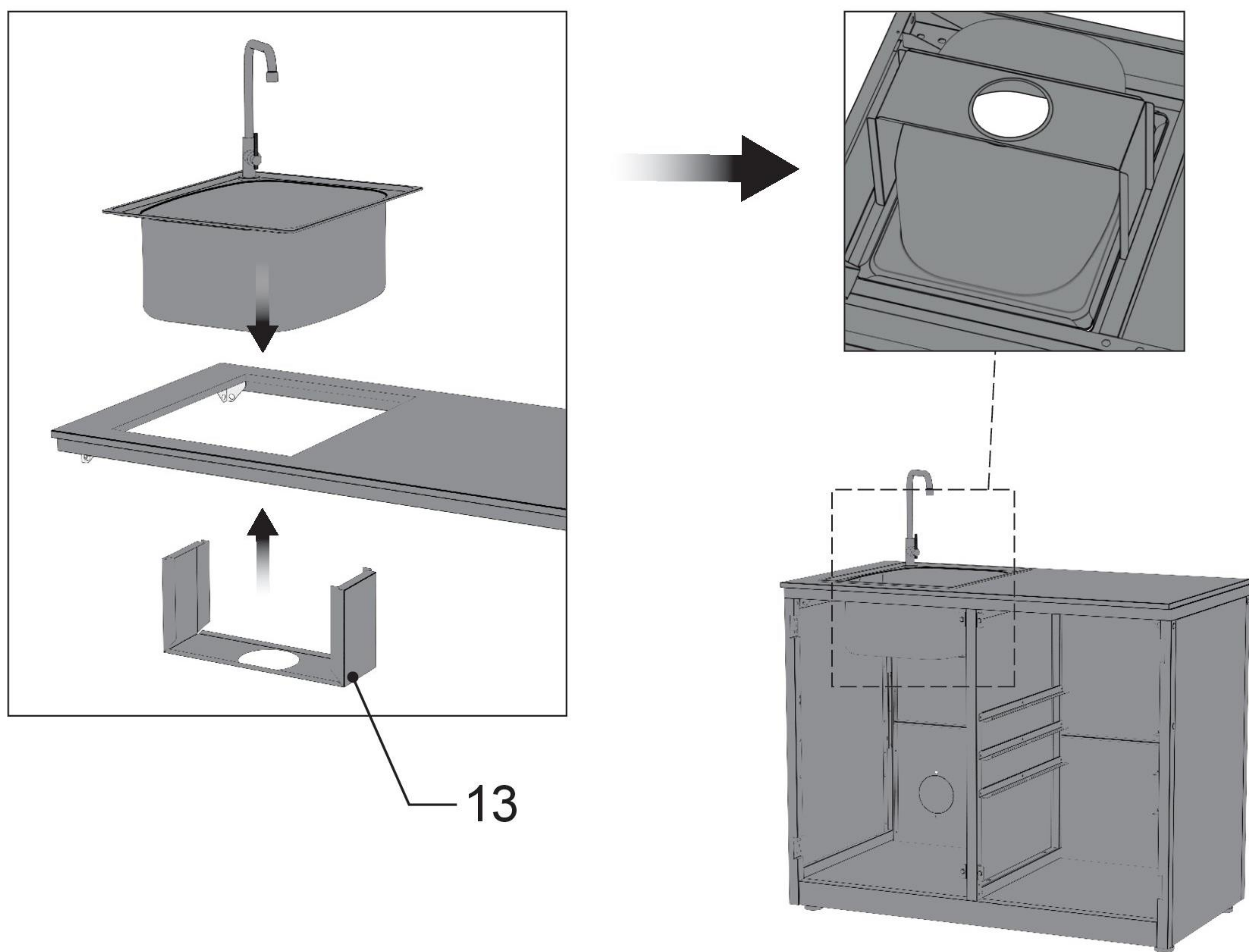
10



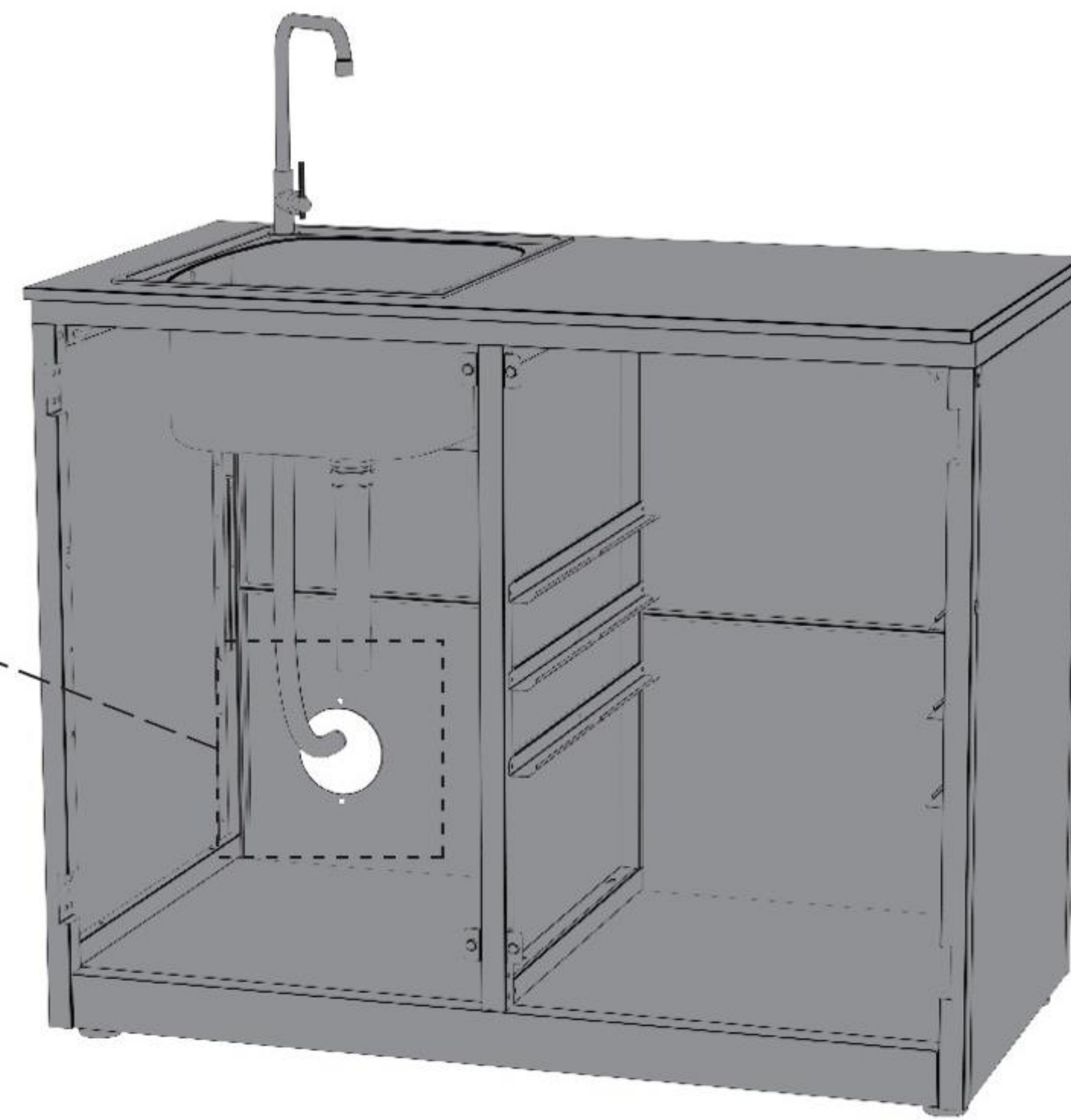
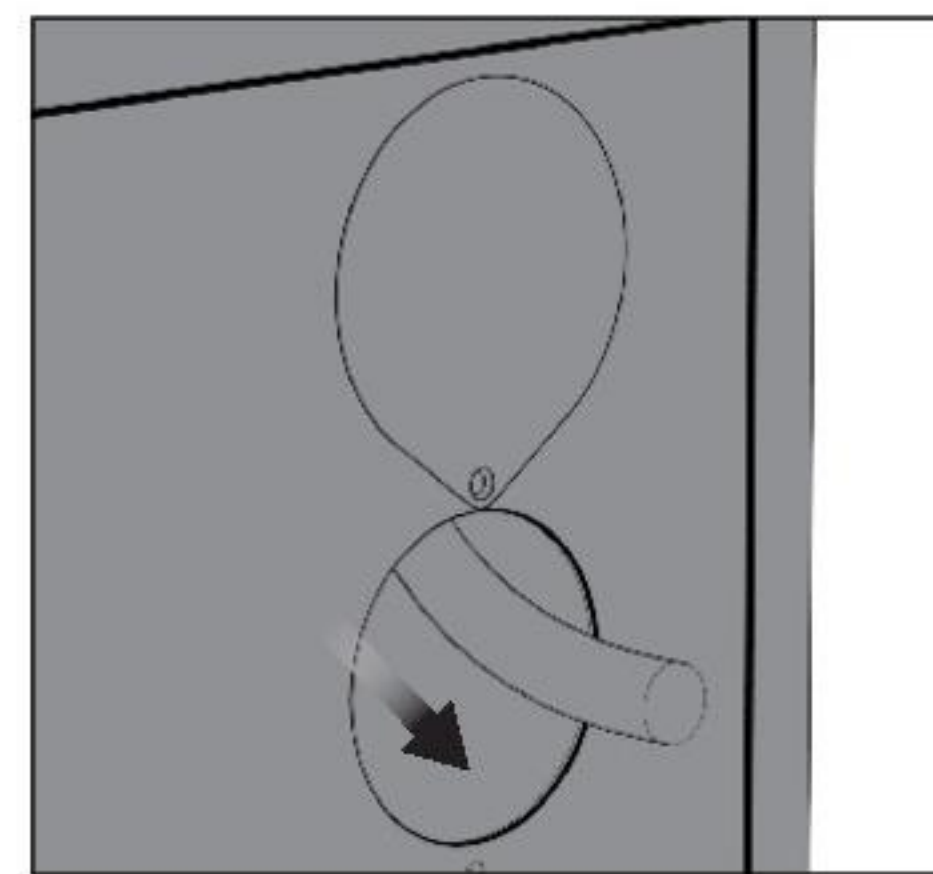
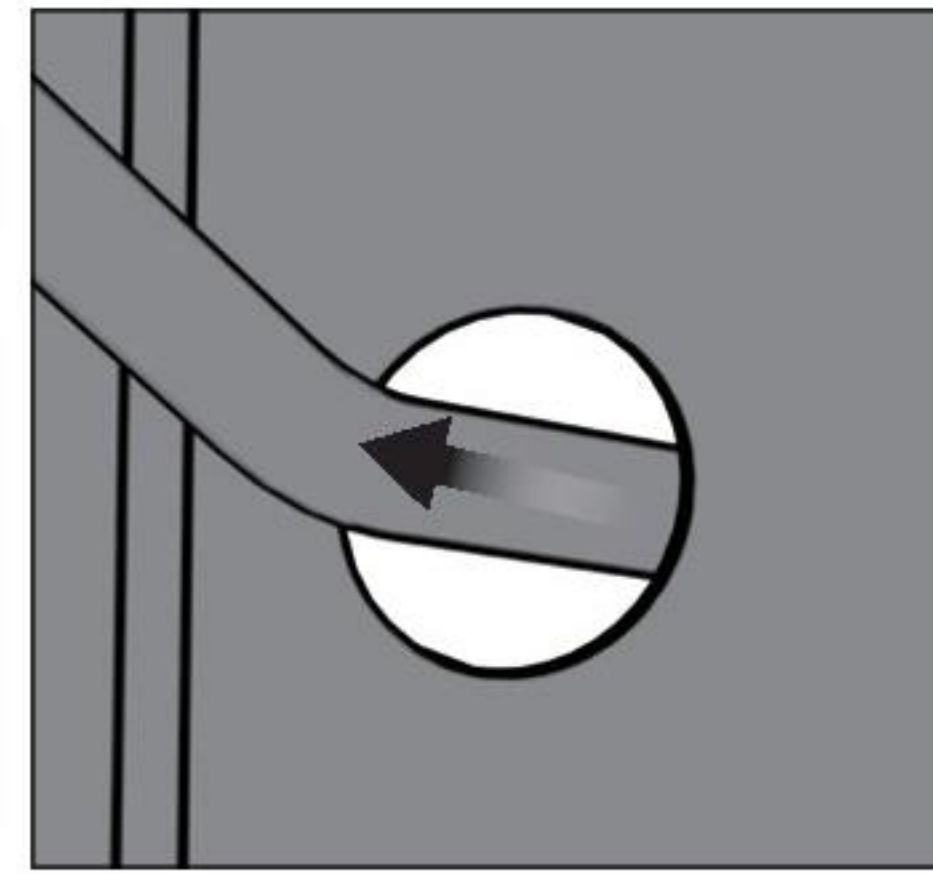
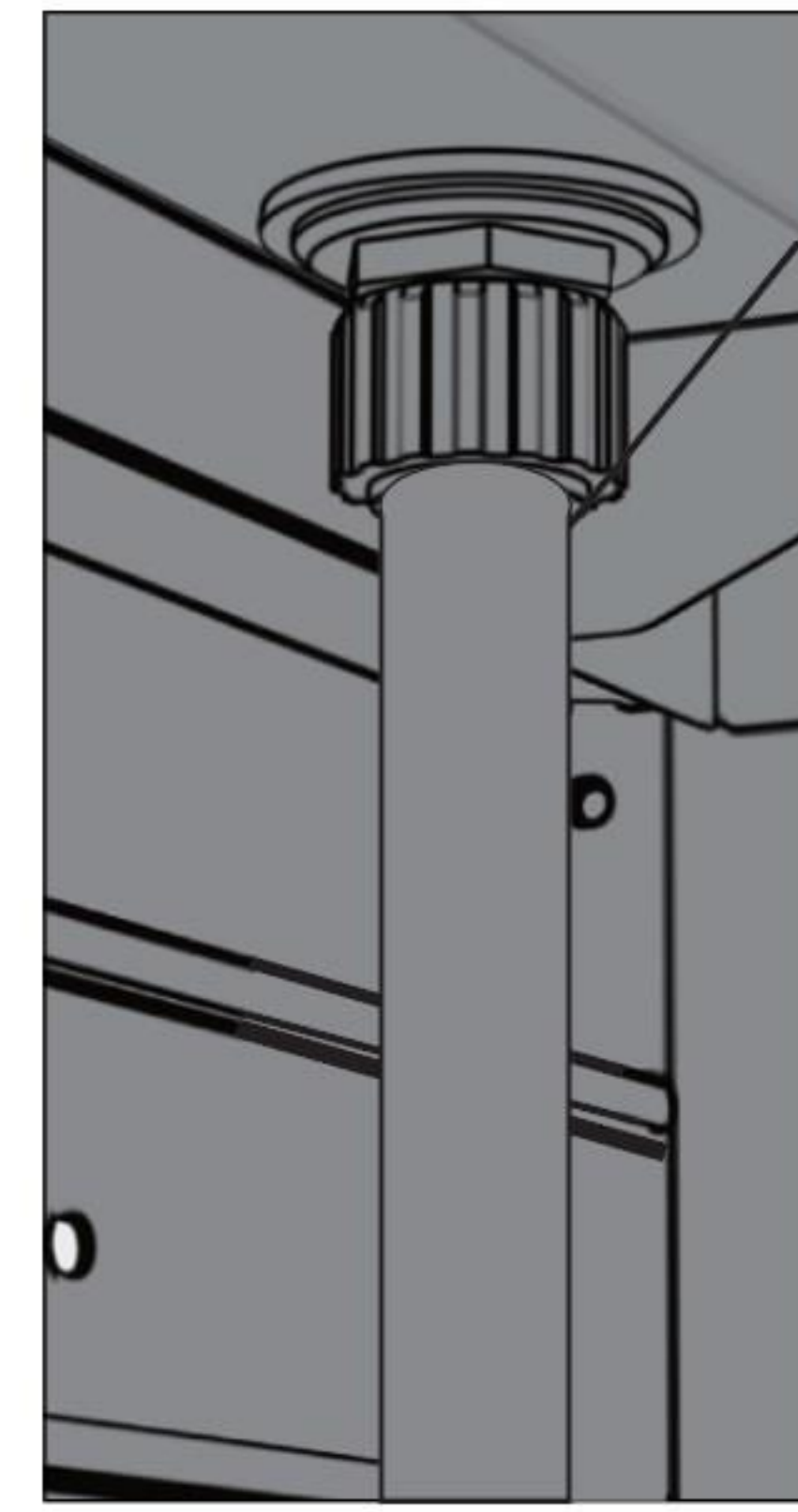
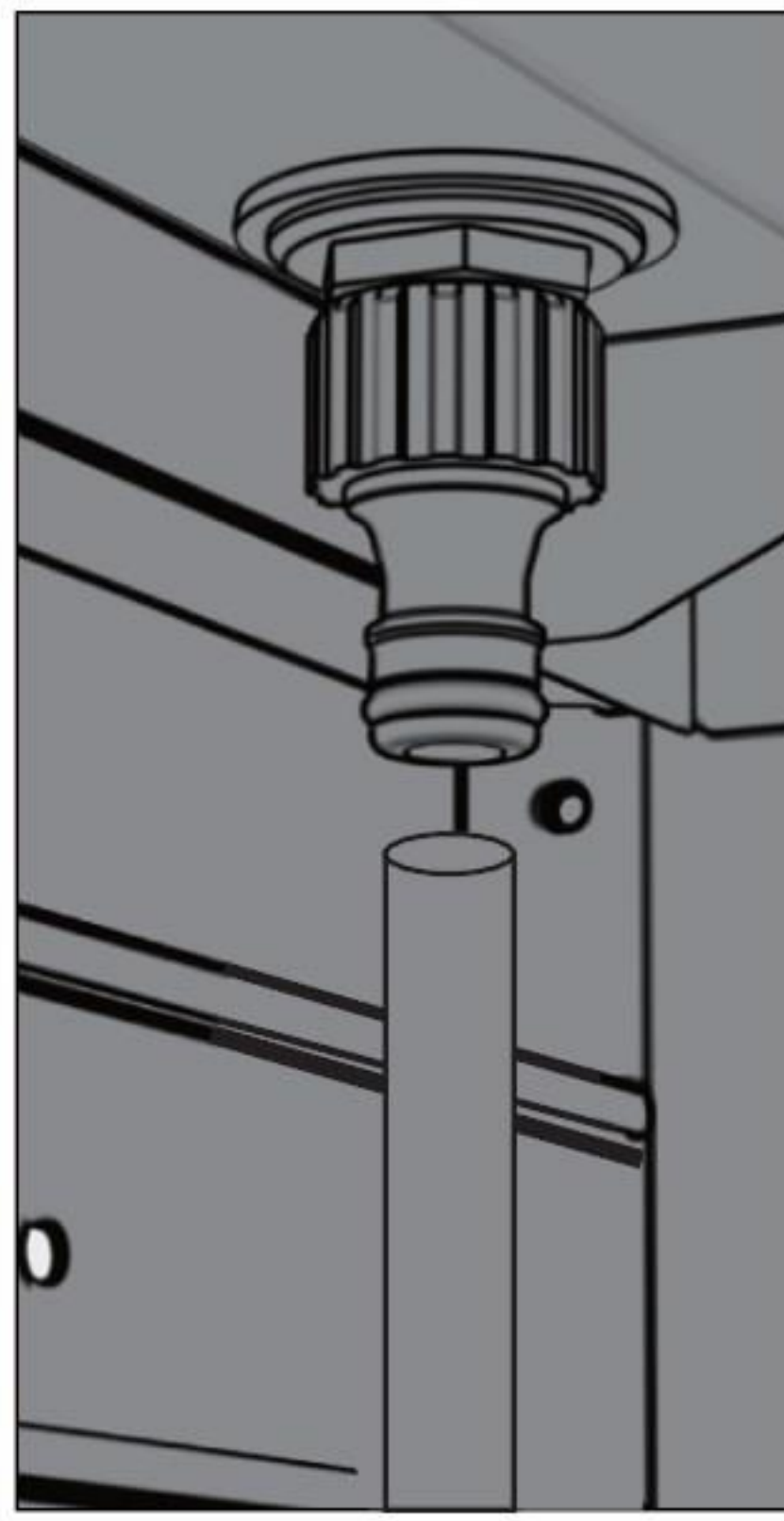
11



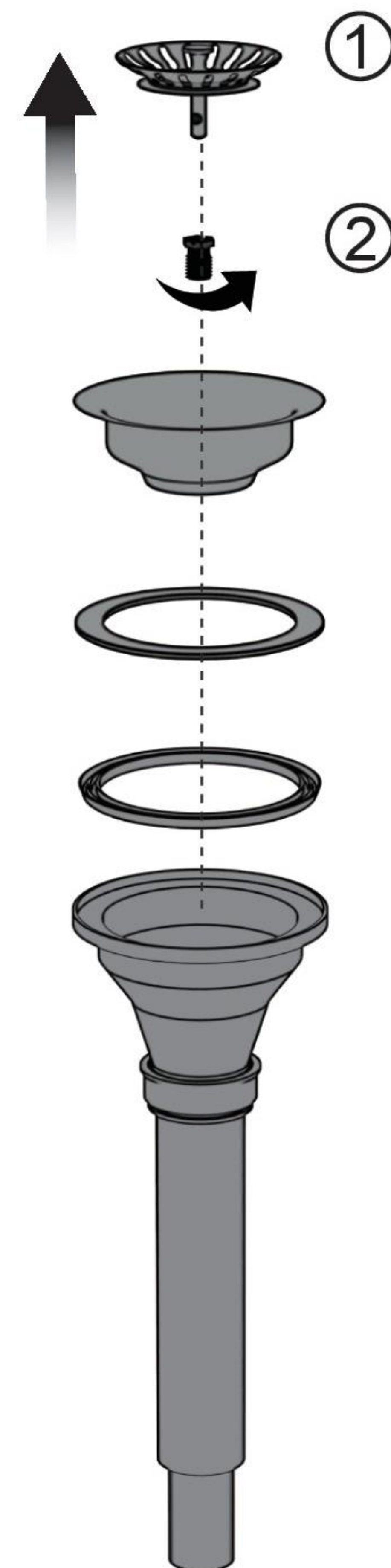
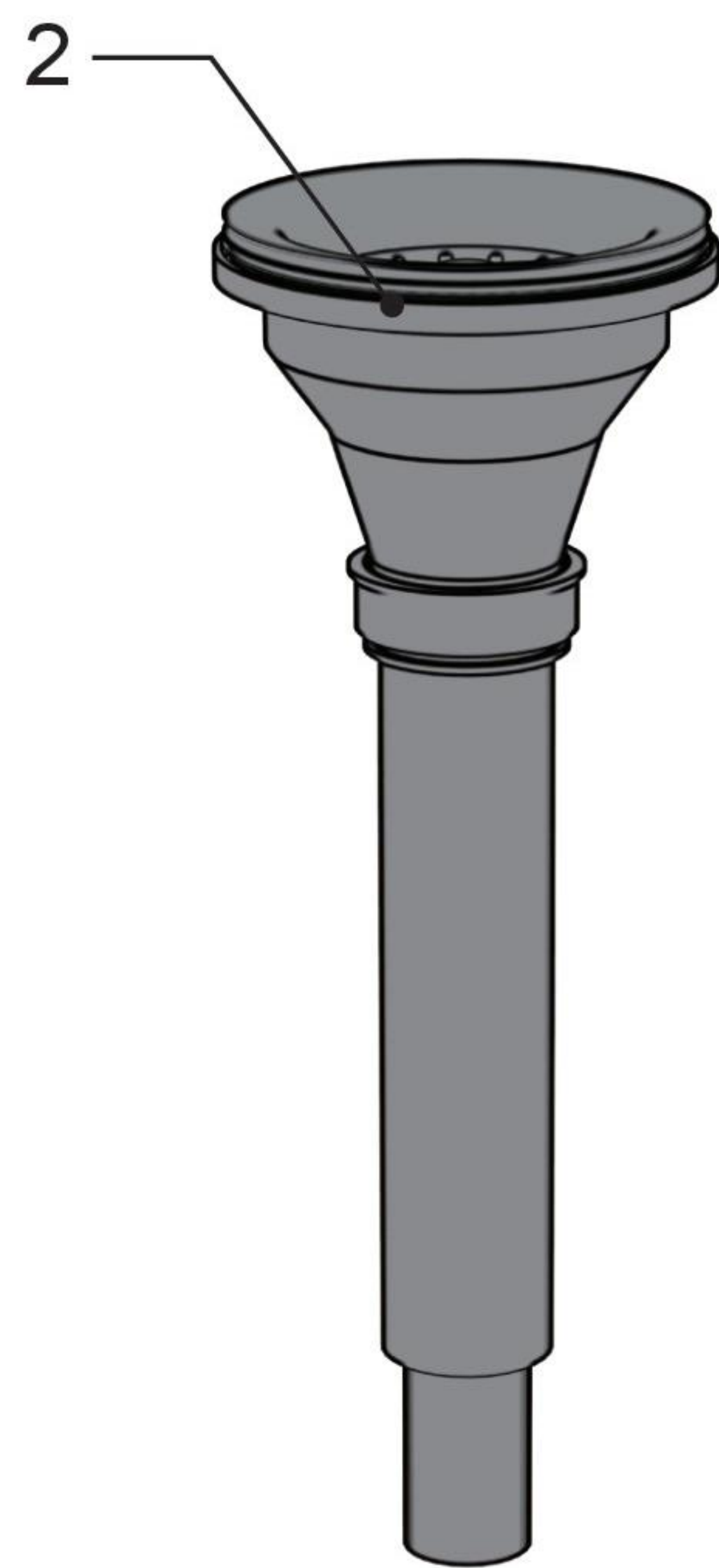
12



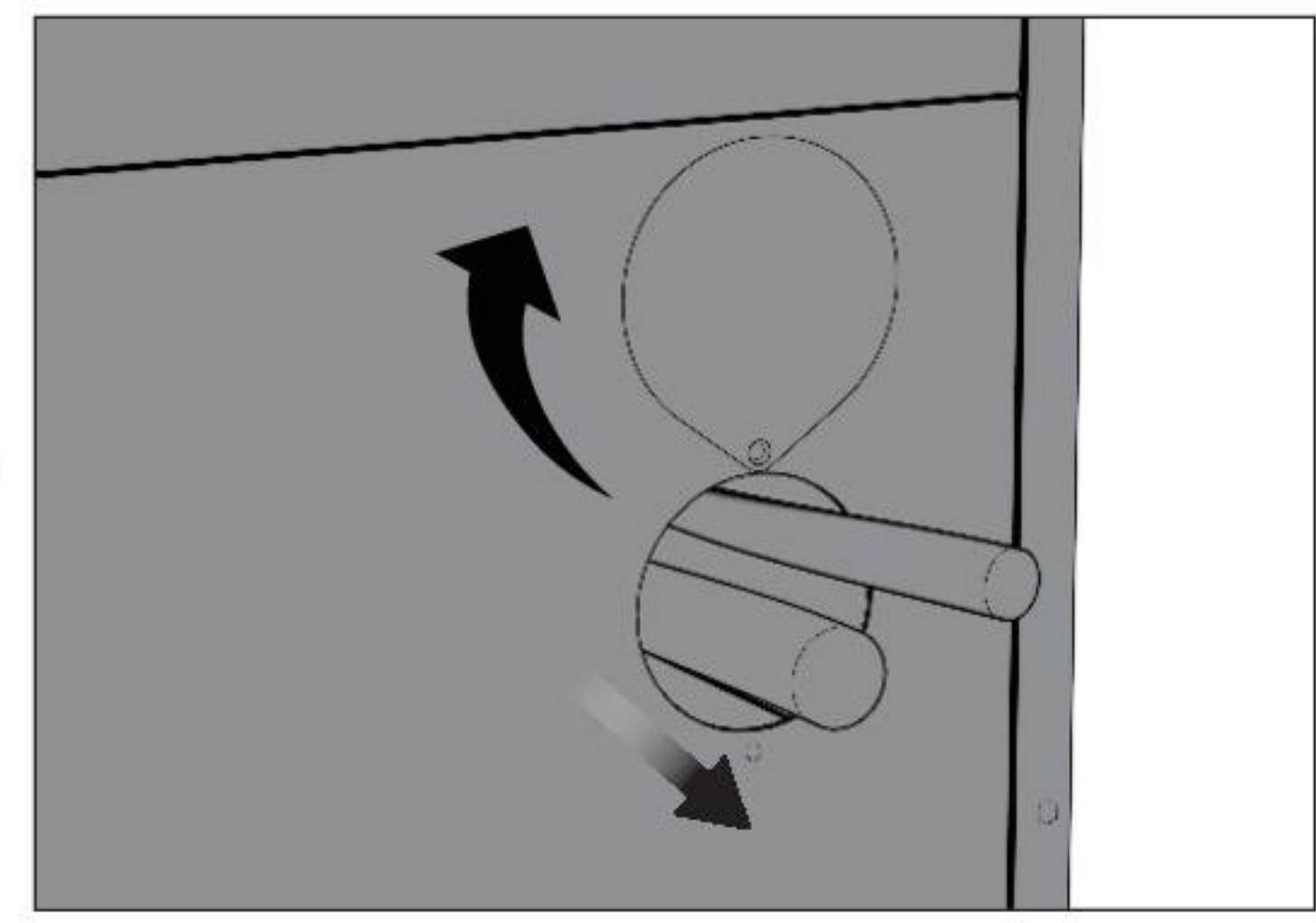
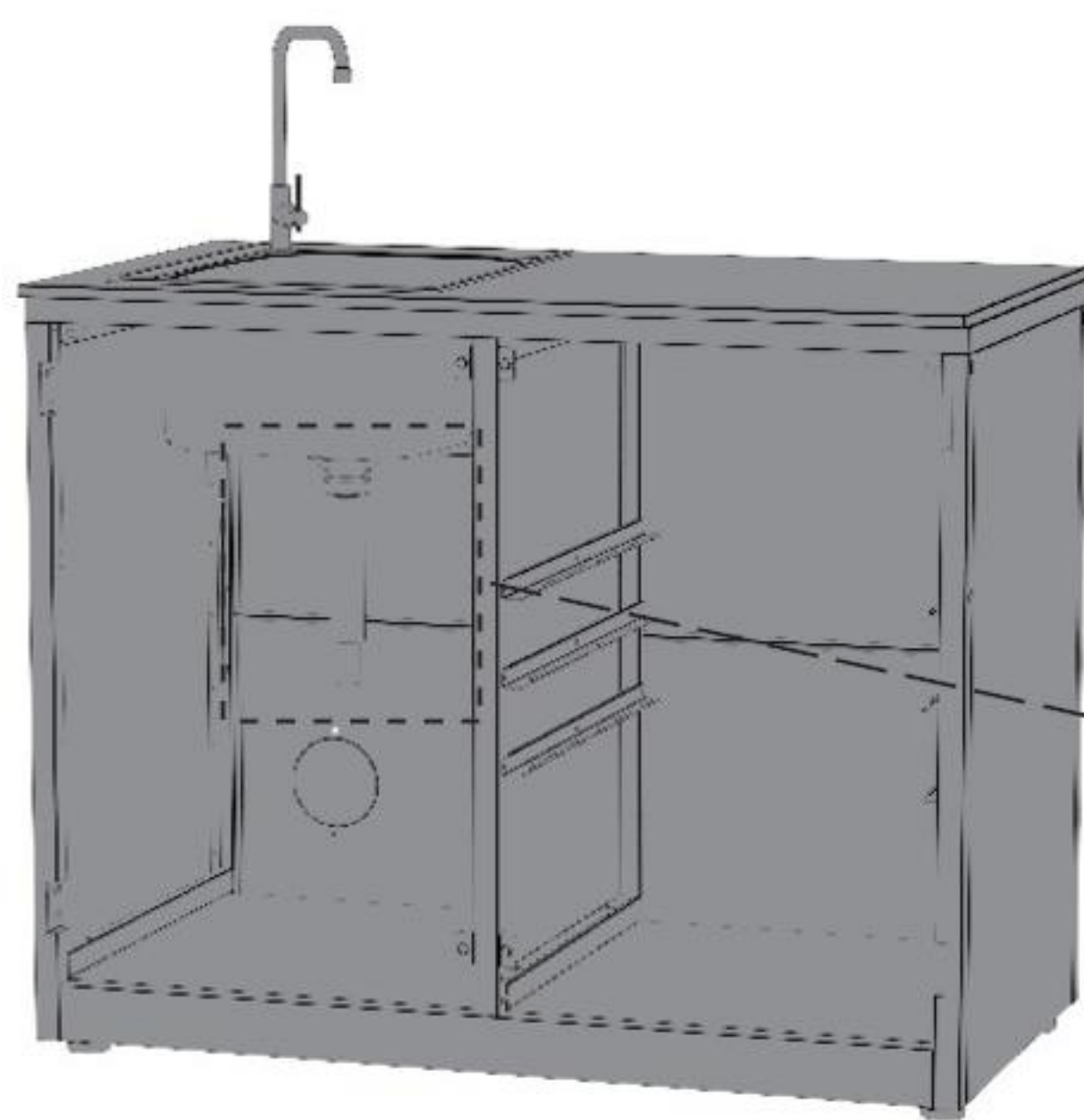
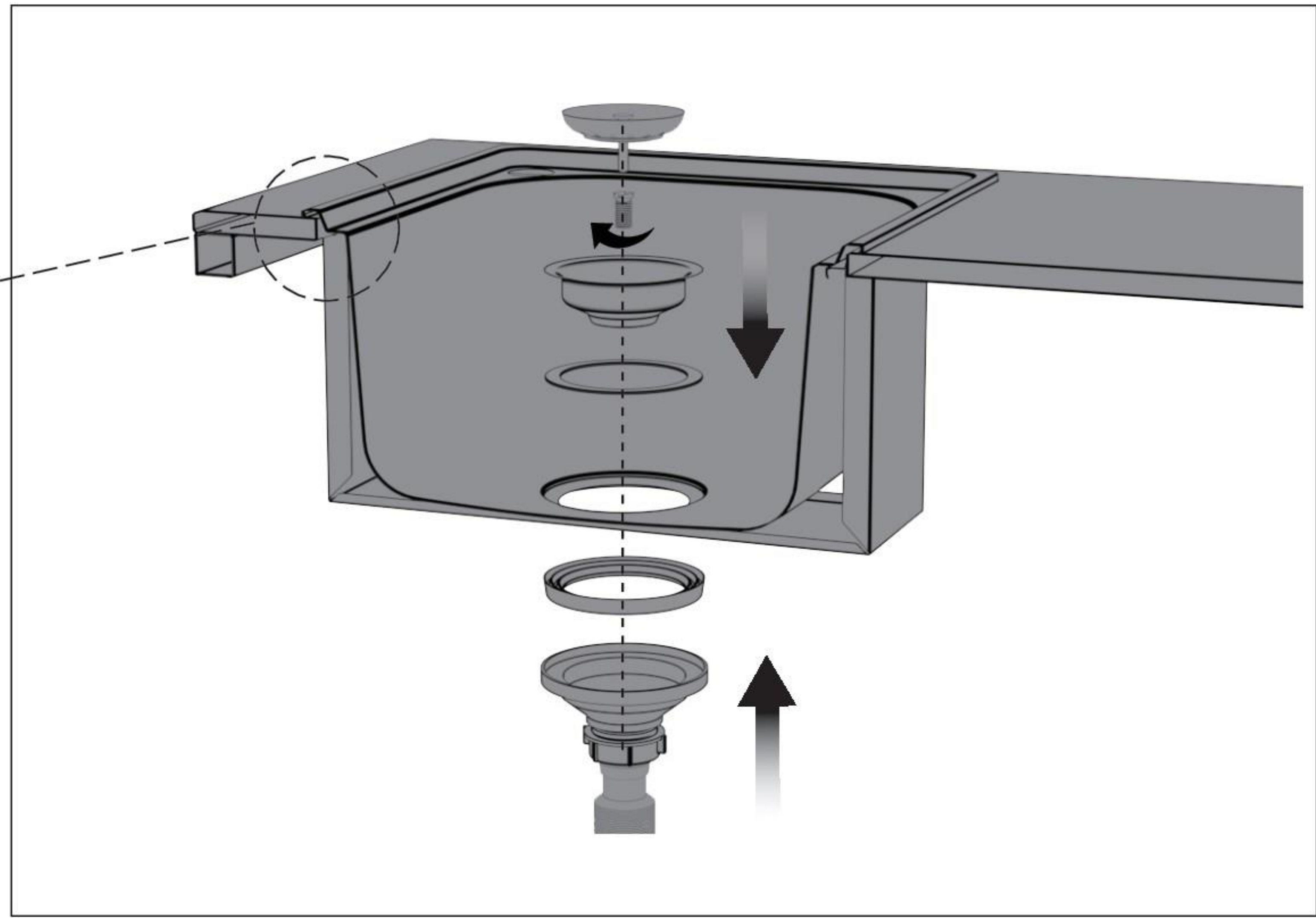
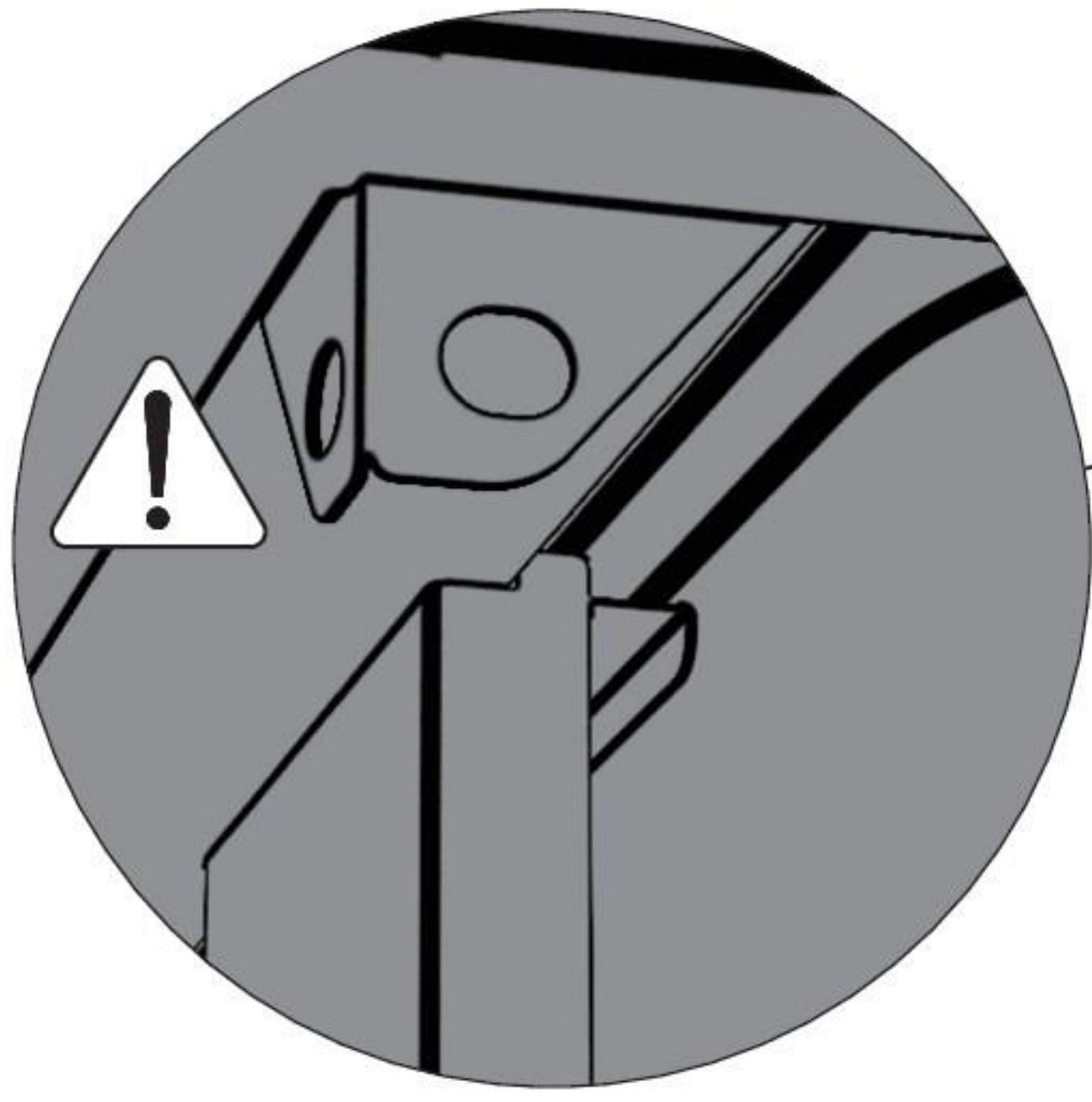
13



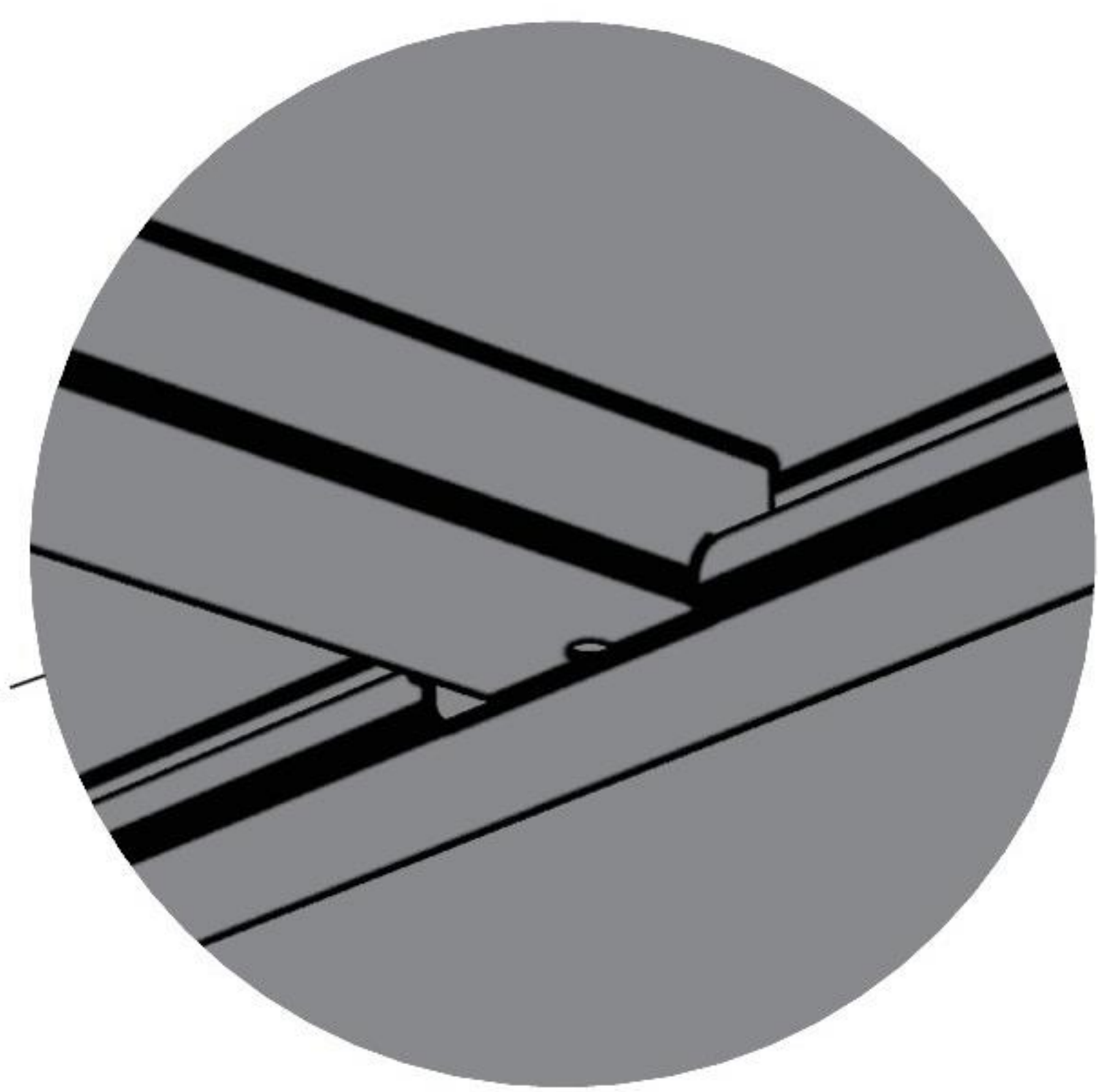
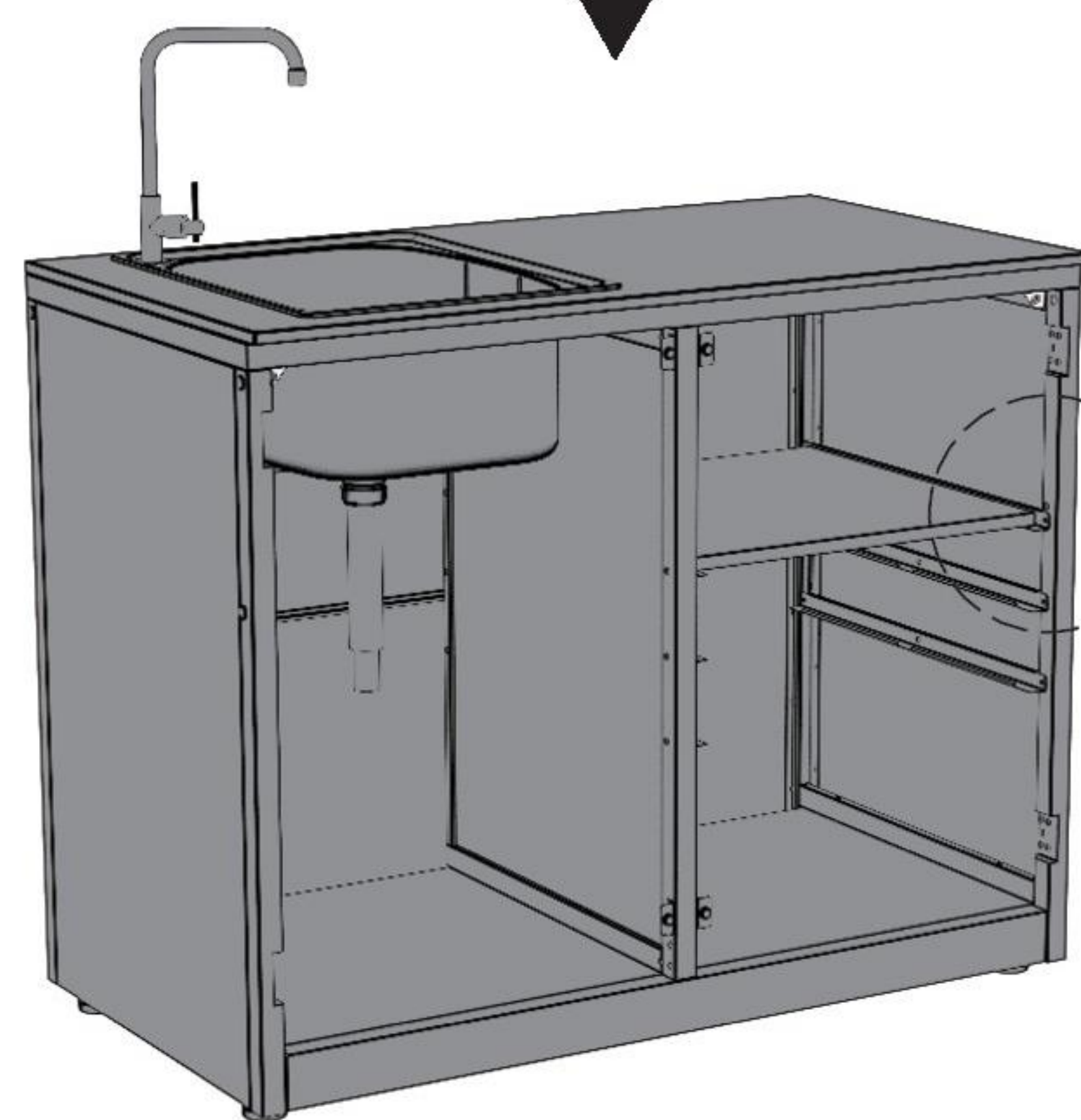
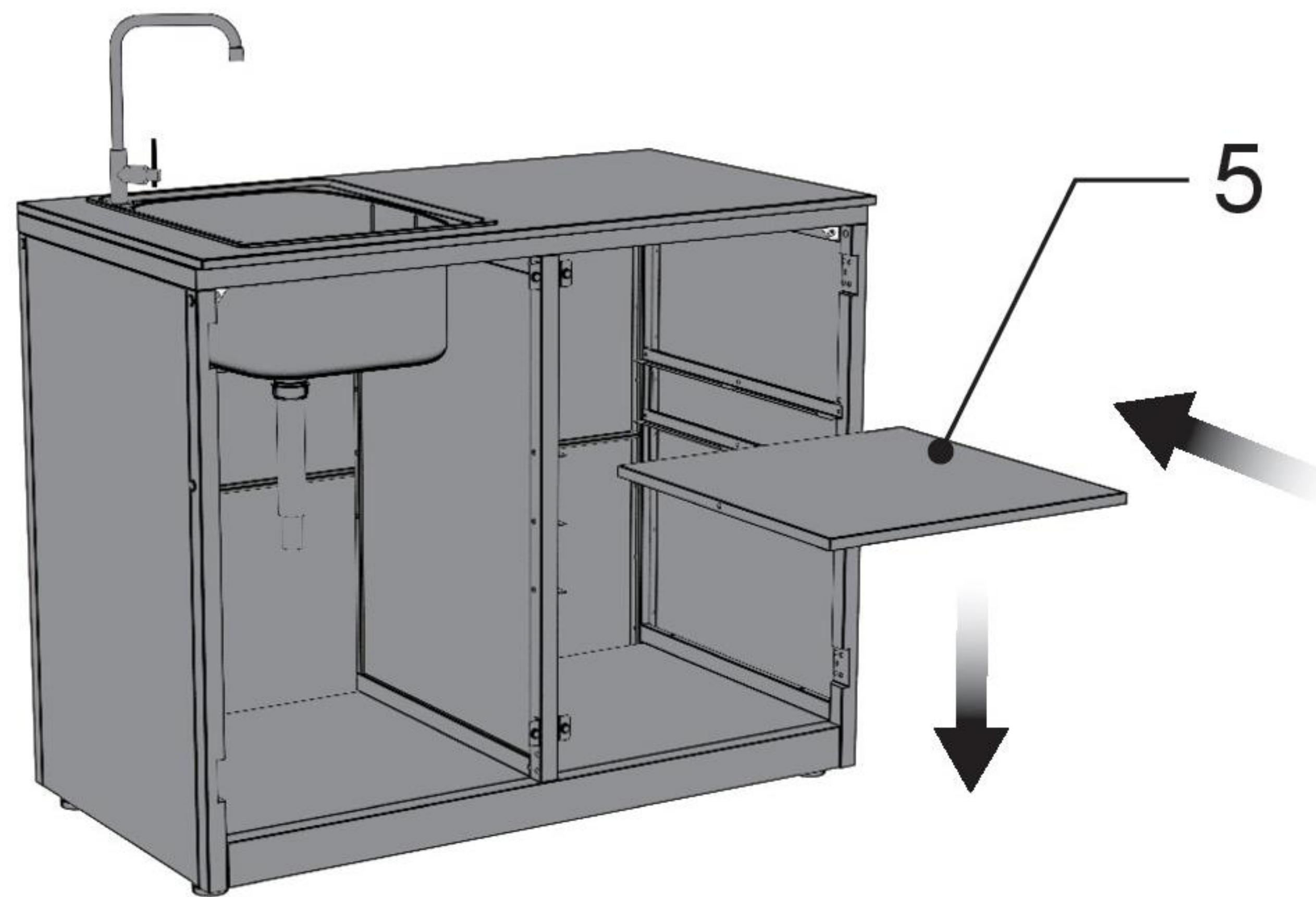
14




15

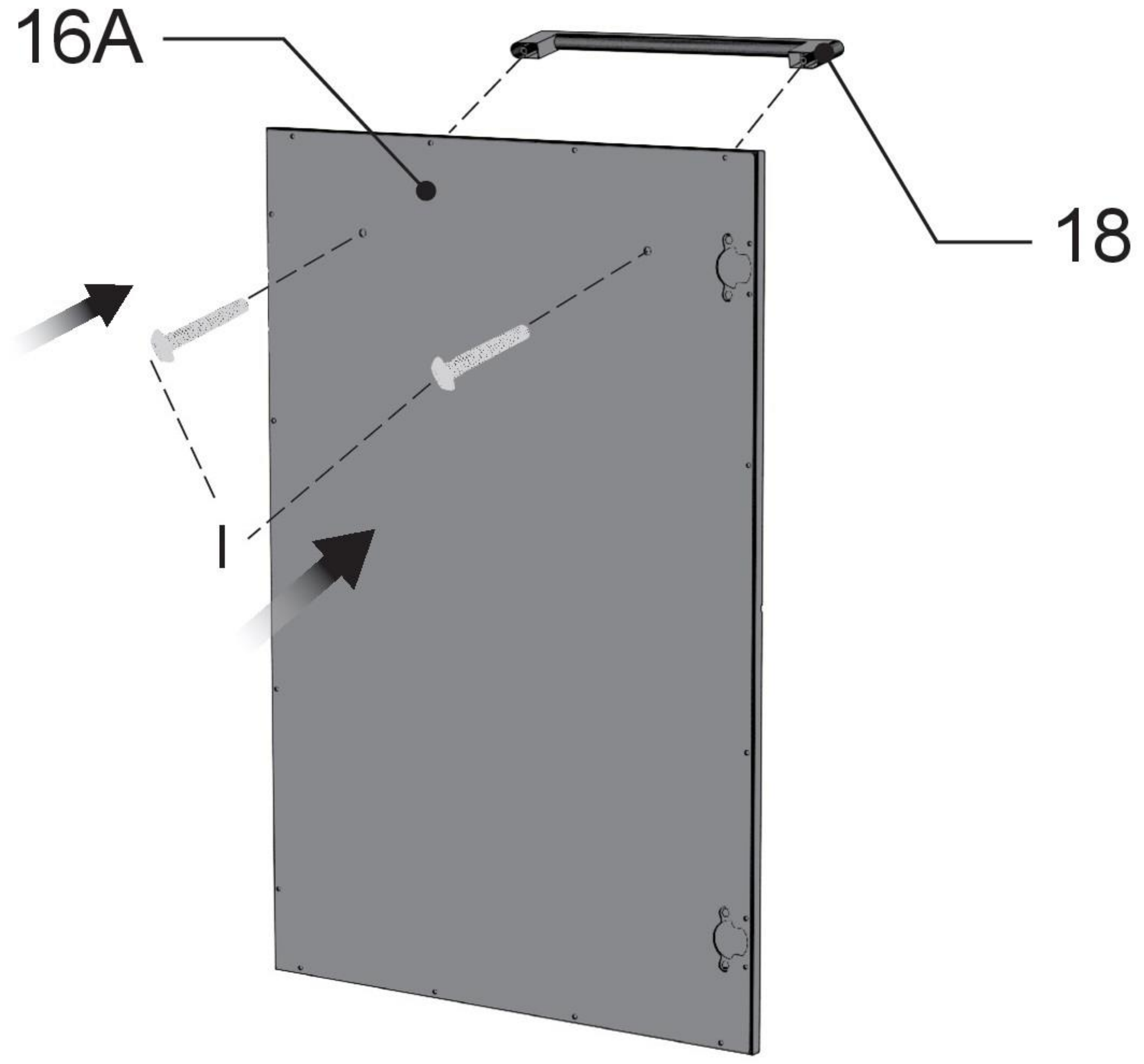



16



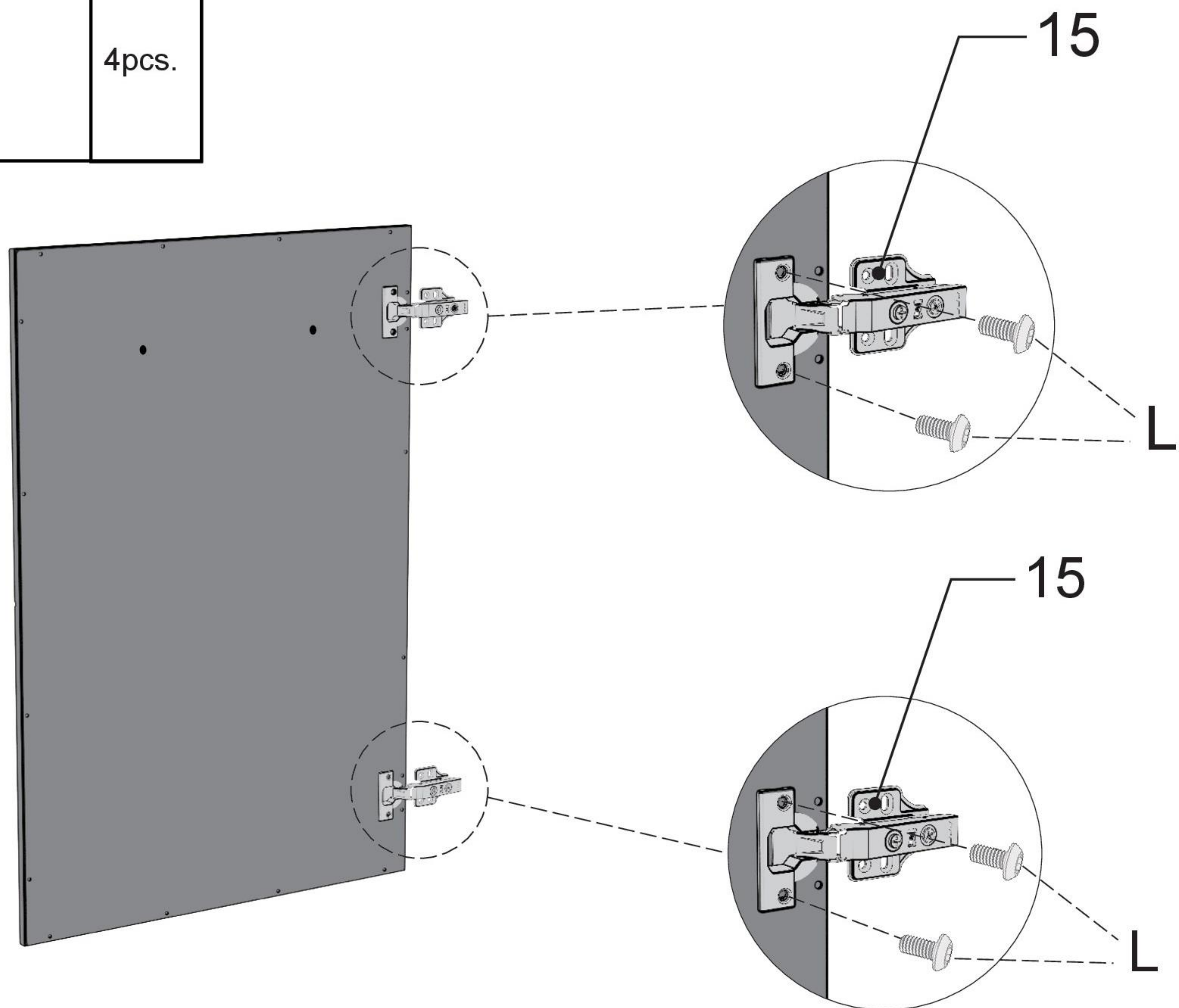
I	M4X30 	2pcs.
---	--	-------



17

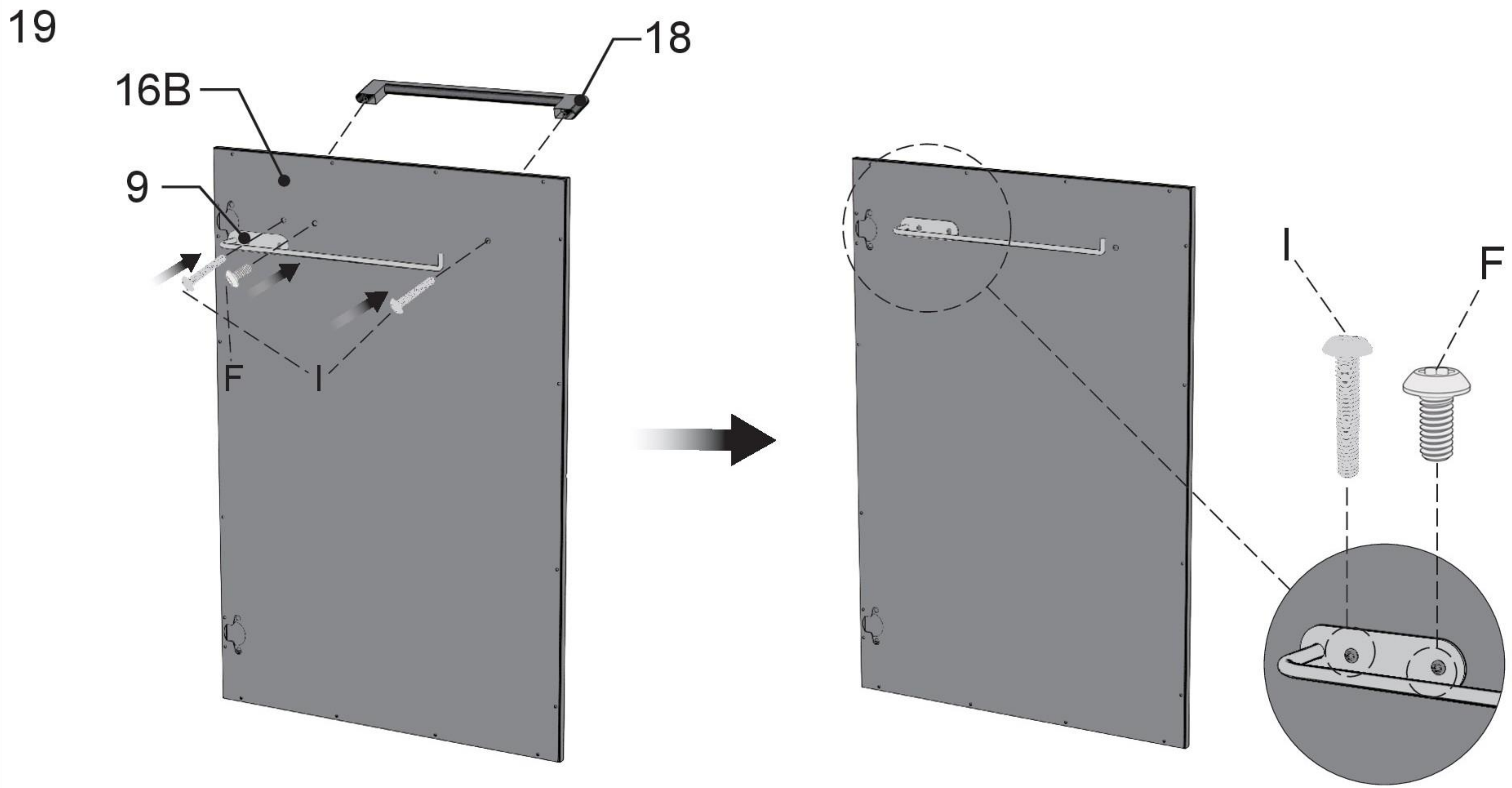



L	M4X12-SS 	4pcs.
---	---	-------

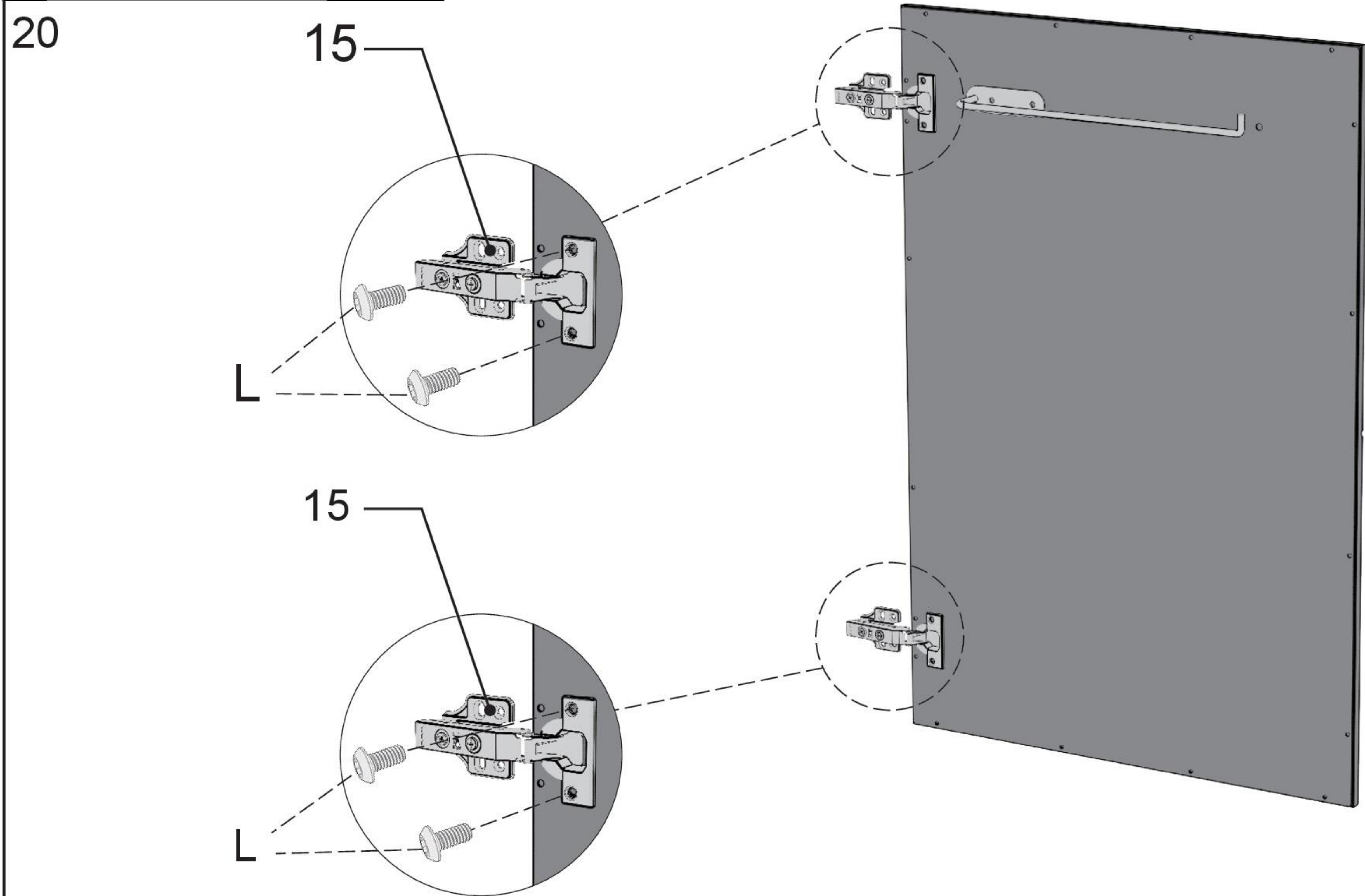
18




I	M4X30 	2pcs.	F	M4X8 	1pc.
---	--	-------	---	---	------



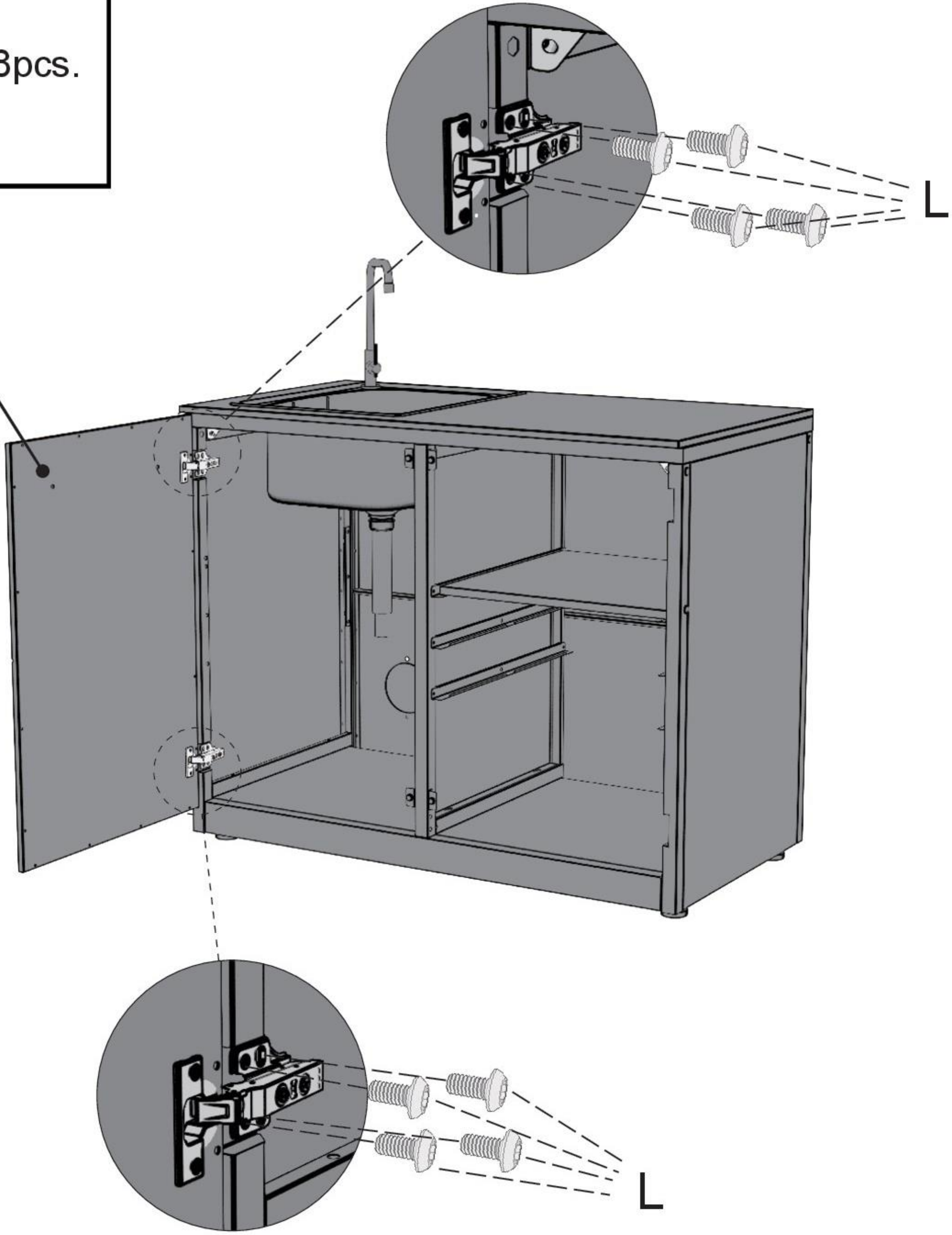
L	M4X12-SS 	4pcs.
---	---	-------




	M4X12-SS	
L		8pcs.

21

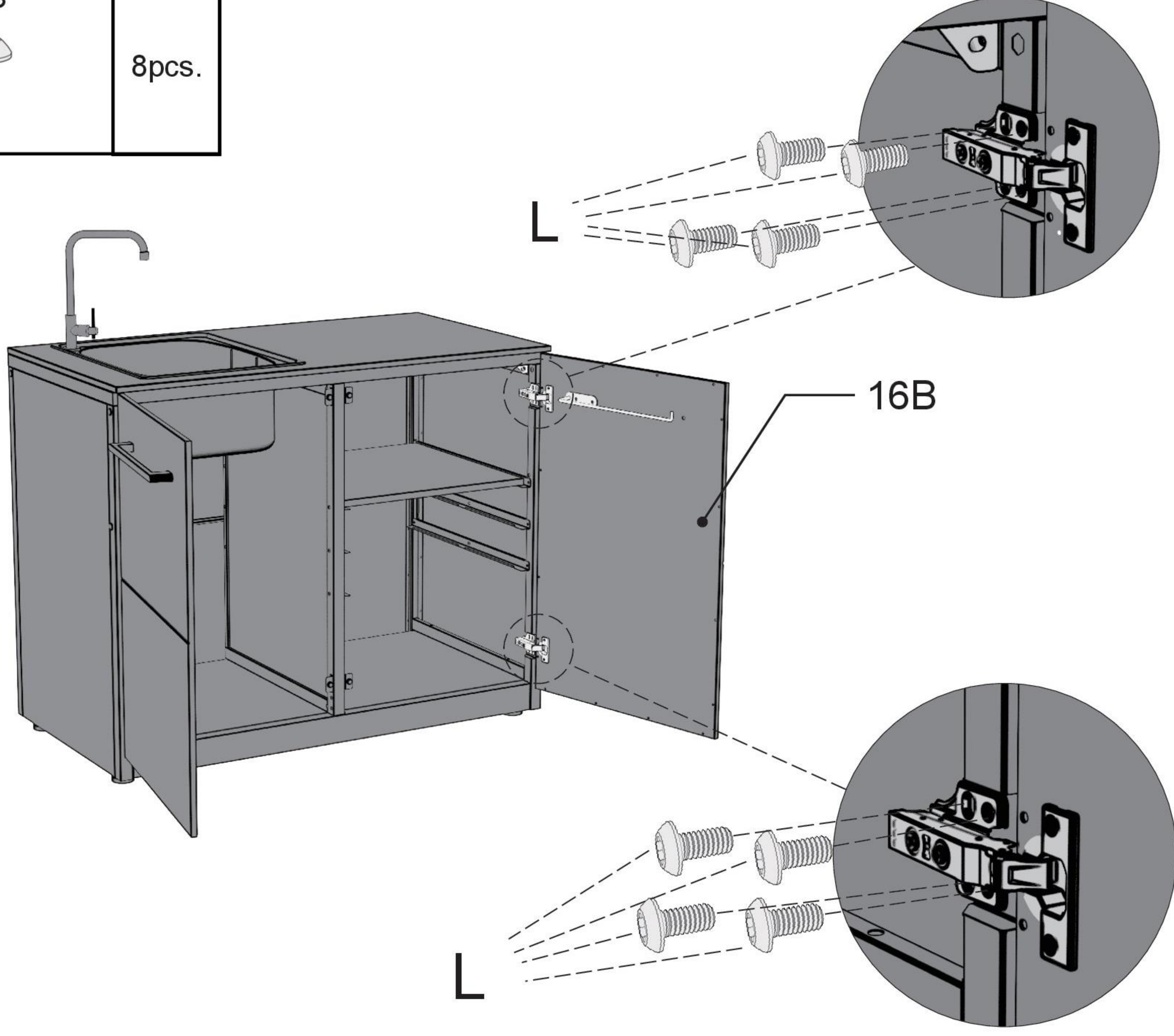
16A



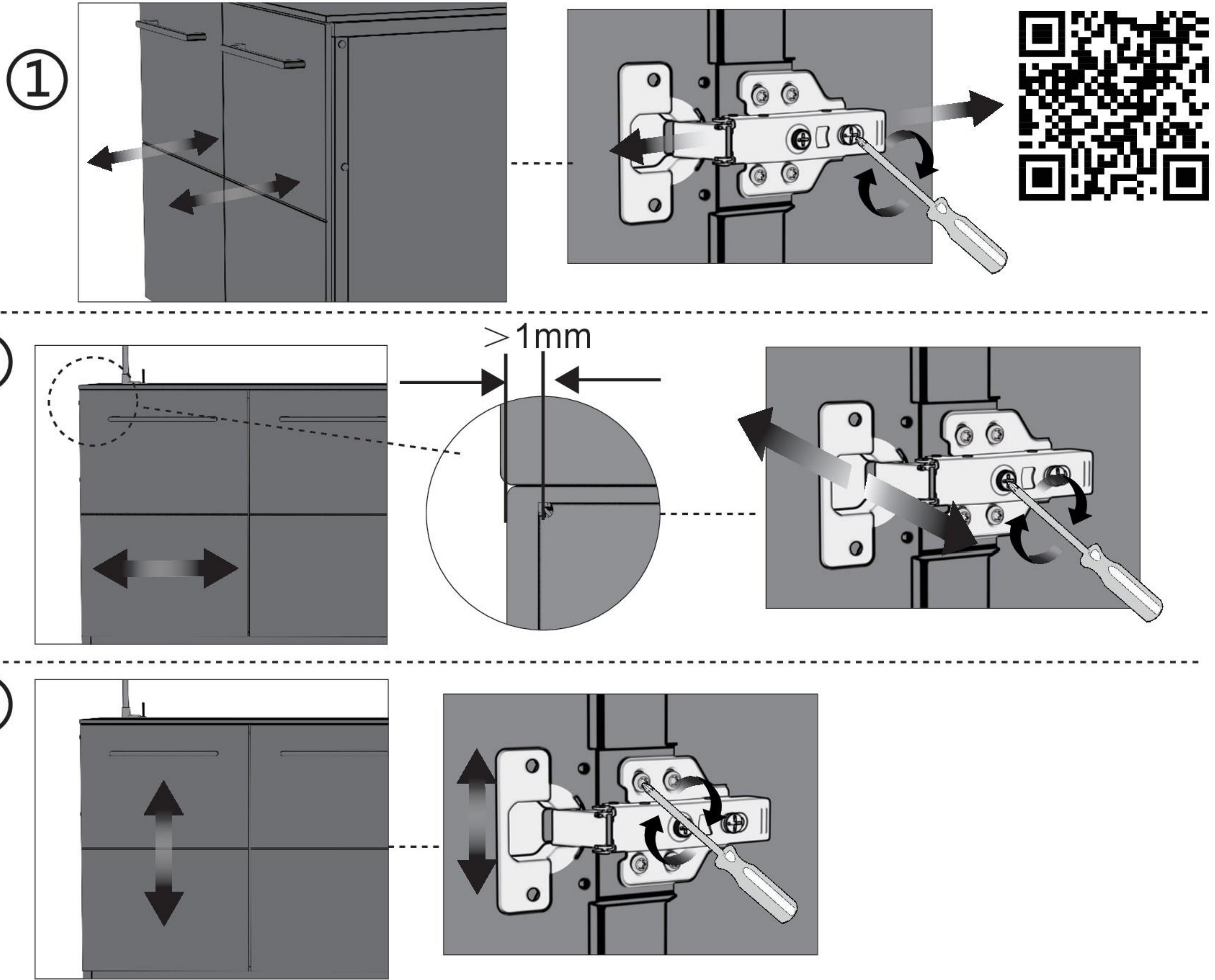
	M4X12-SS	
L		8pcs.

22

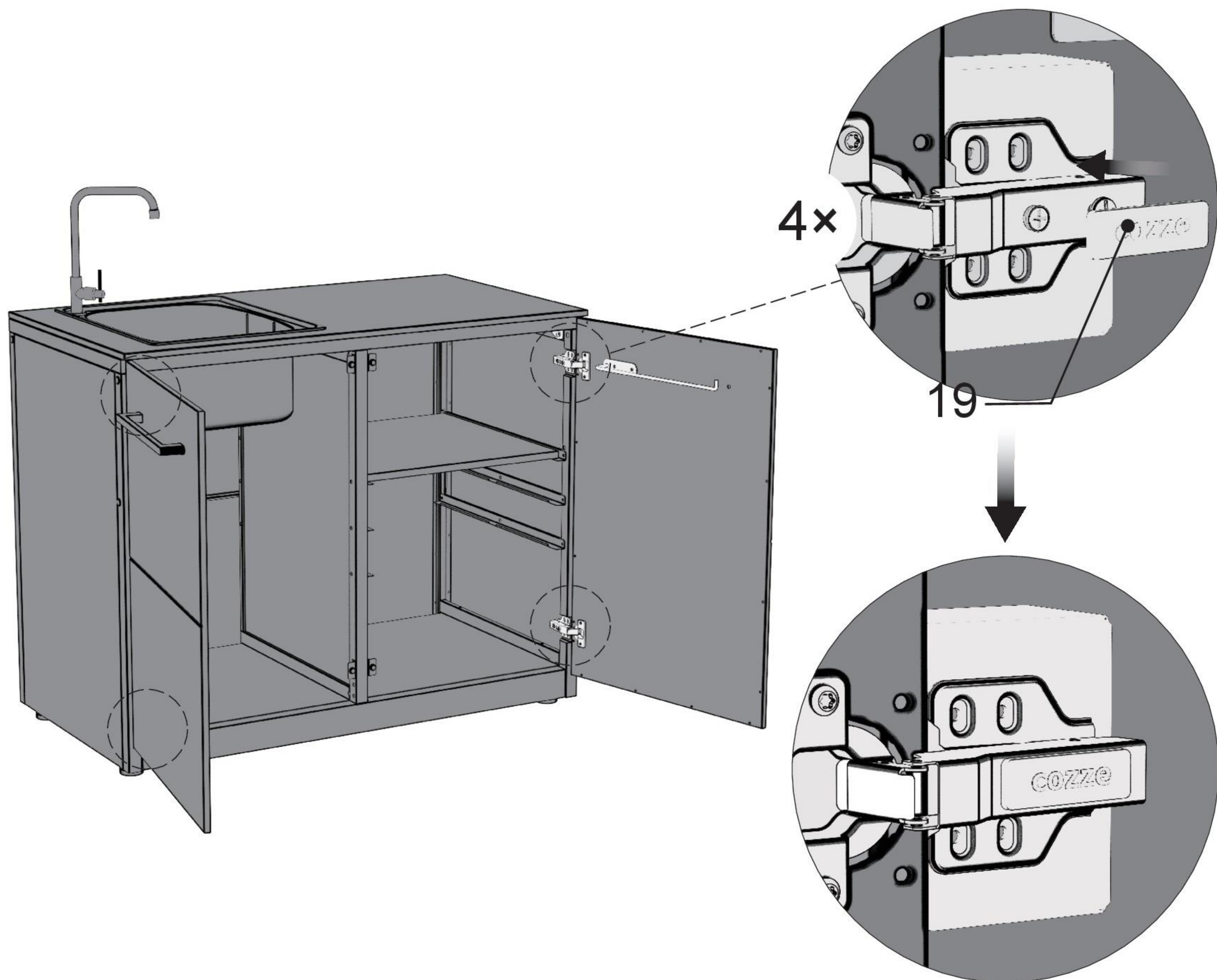
16B



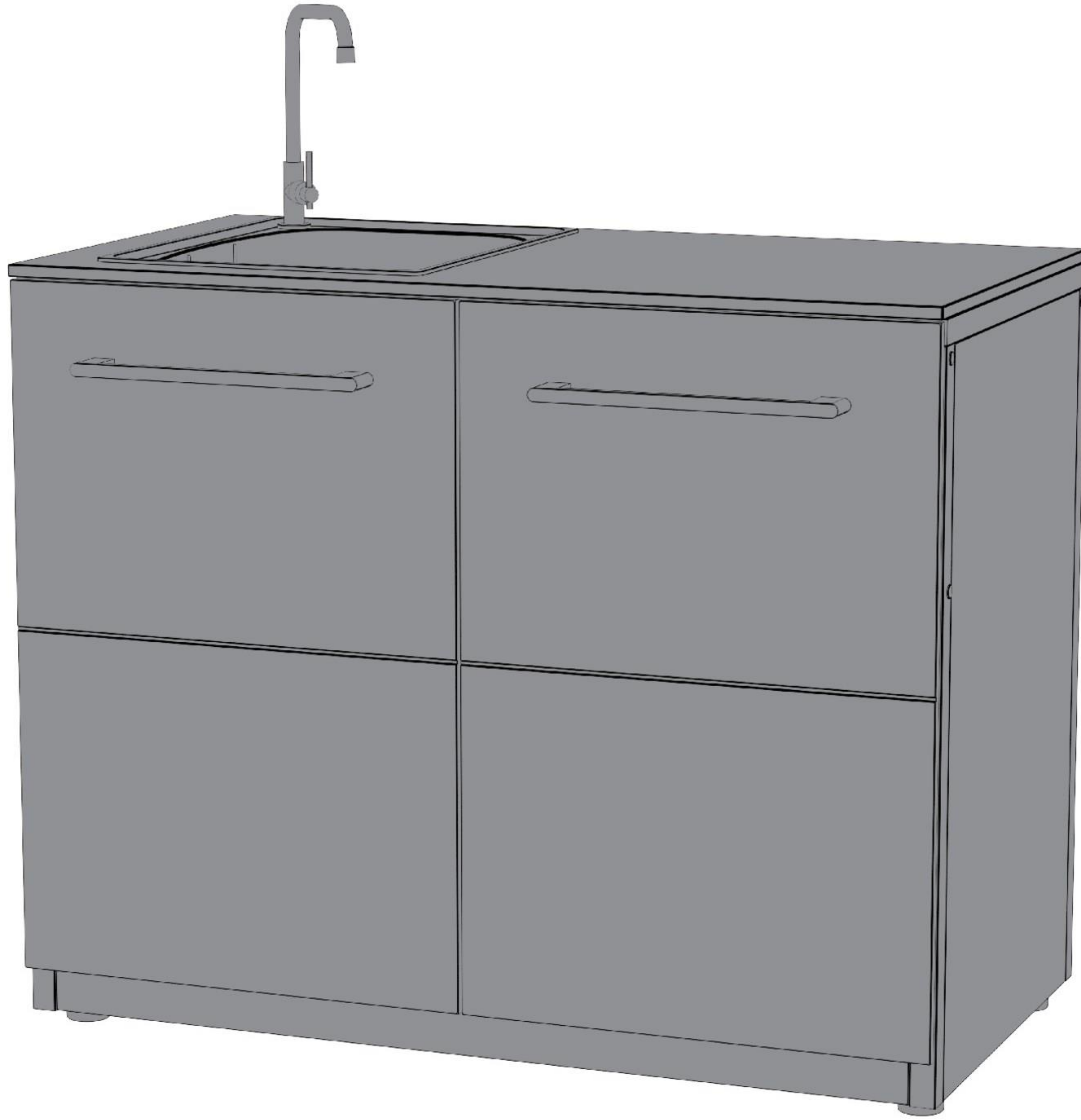
23



24



25



OK

90212



FIND MORE INSPIRATION
AT COZZEBBQ.COM



Manufactured by
Millarco International A/S
Rokhoj 26, 8520 Lystrup - Denmark
www.millarco.com
www.cozzebbq.com



cozze®