

90201

ASSEMBLY INSTRUCTIONS FOR BBQ STATION

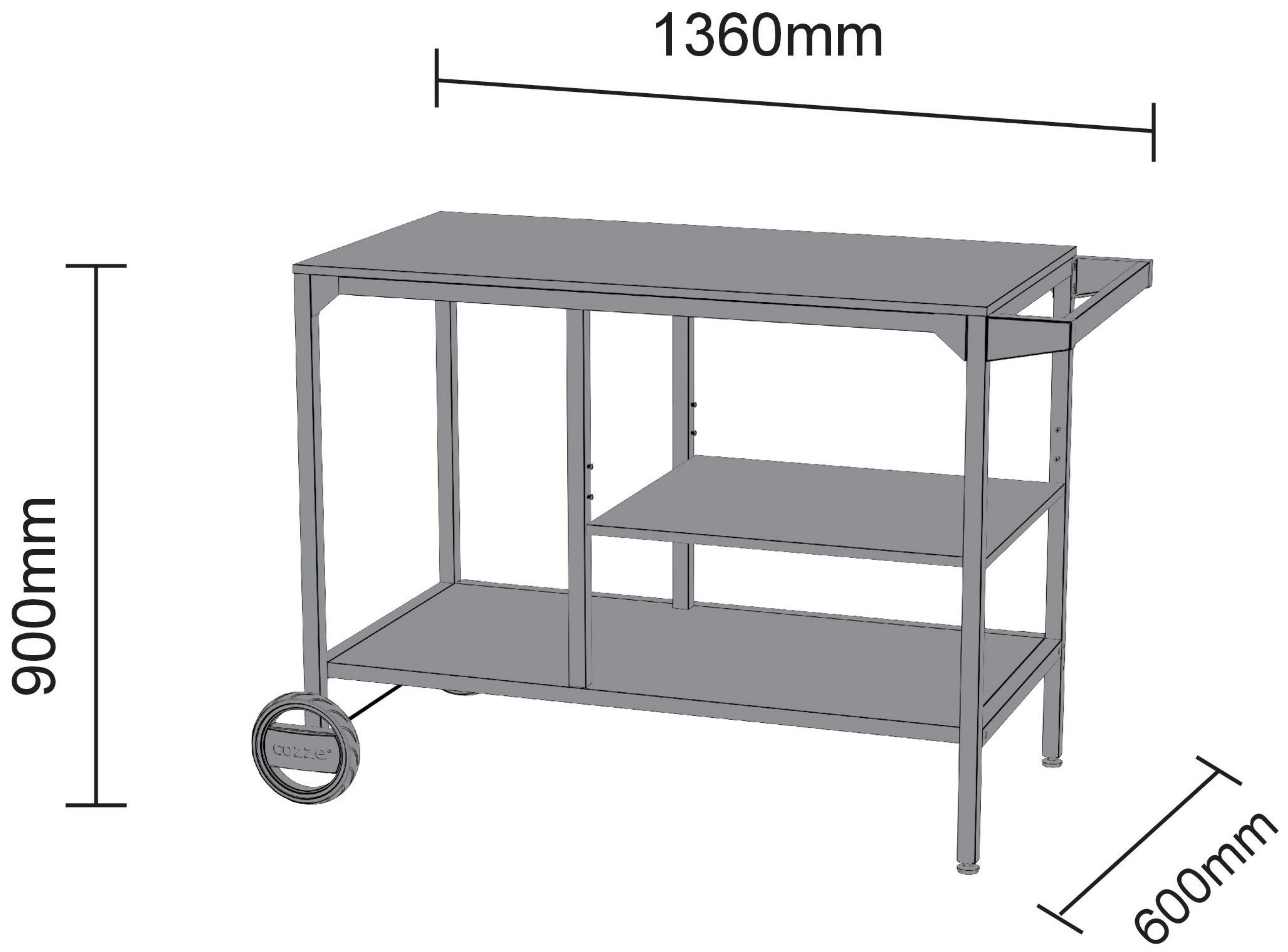
OUTSTANDING
★
DANISH
DESIGN

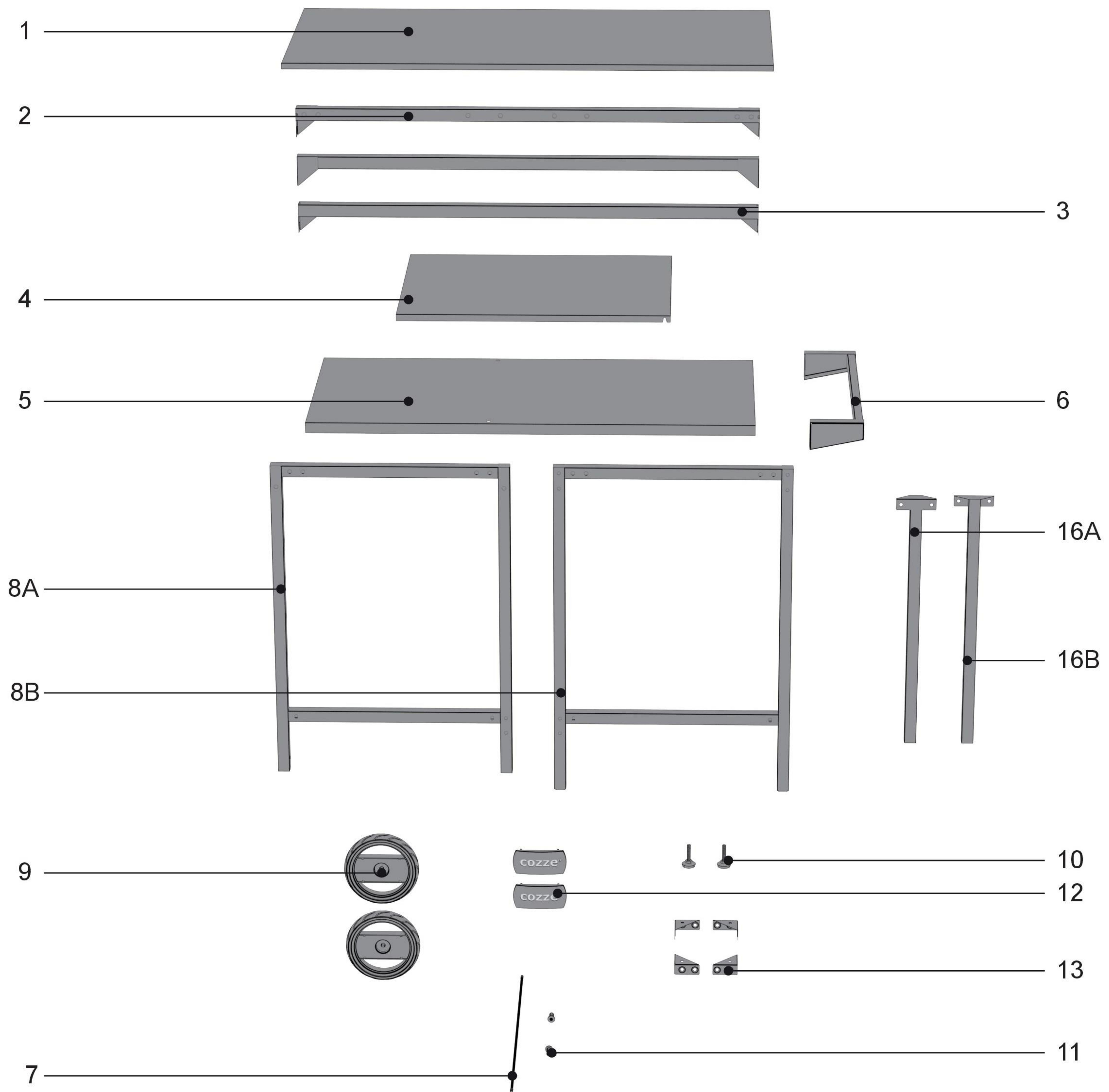





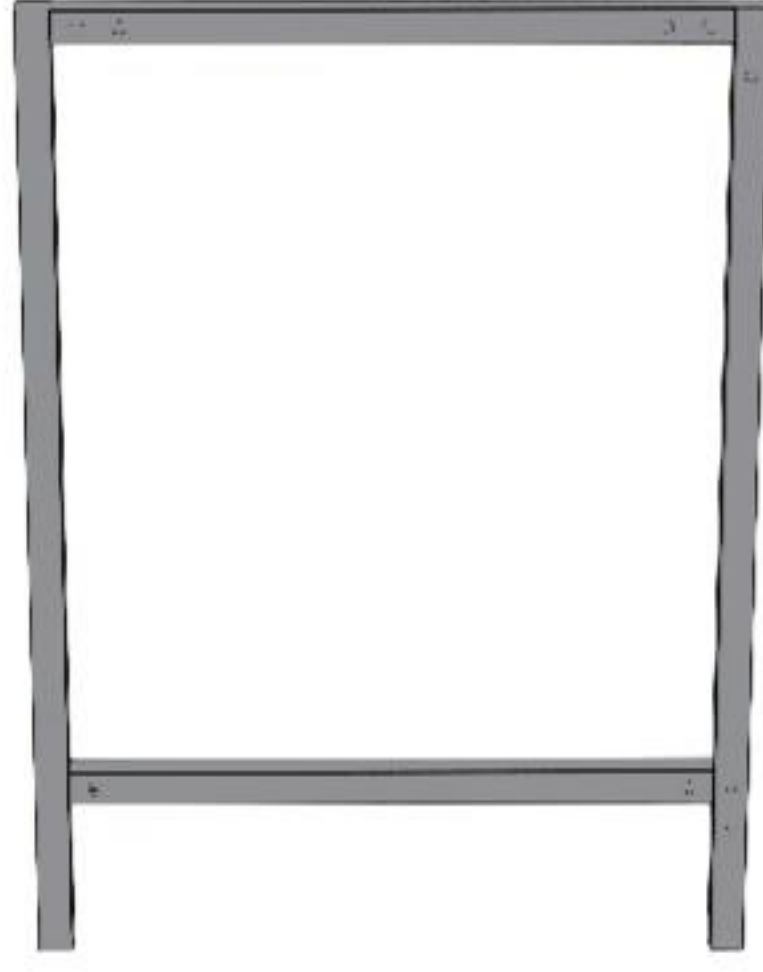

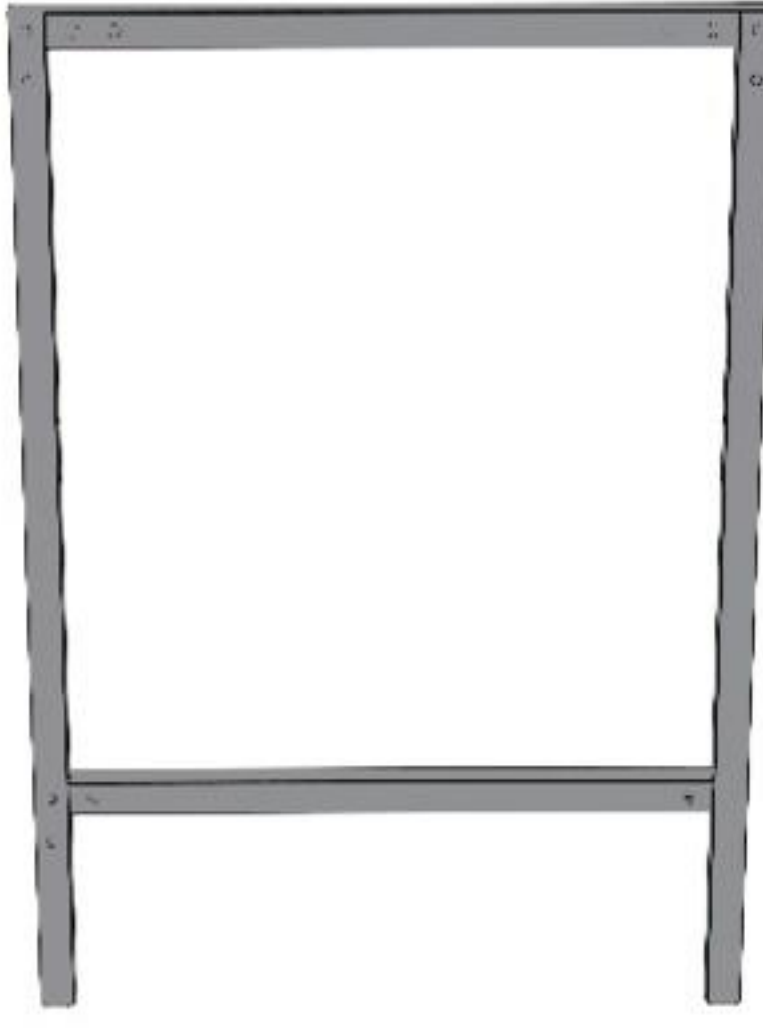
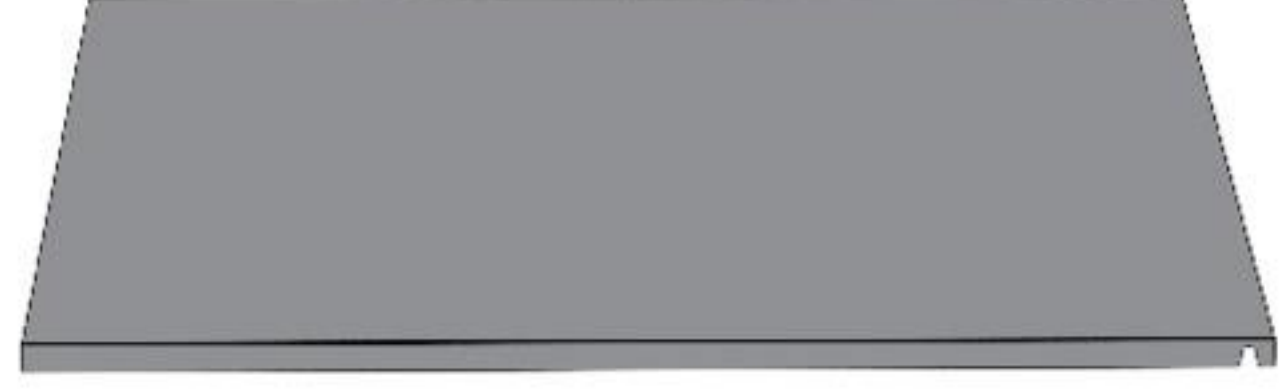


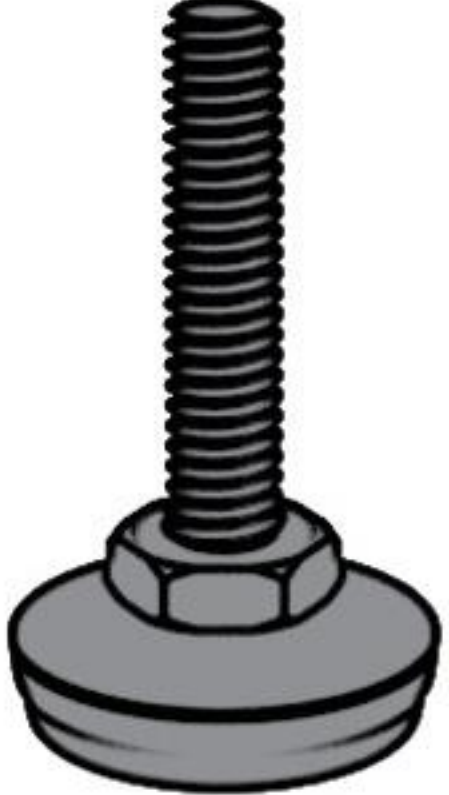

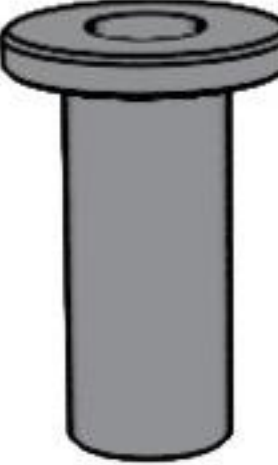
FIND A VIDEO ON HOW TO
ASSEMBLE THE TABLE AT
COZZEBBQ.COM/ASSEMBLY



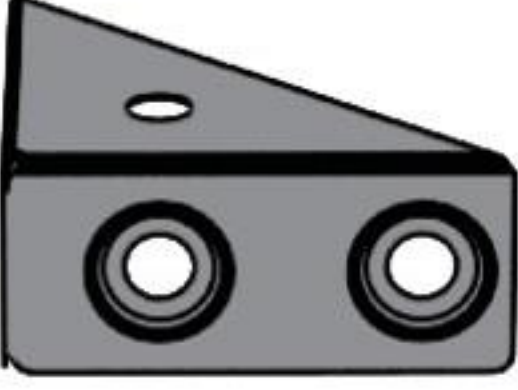
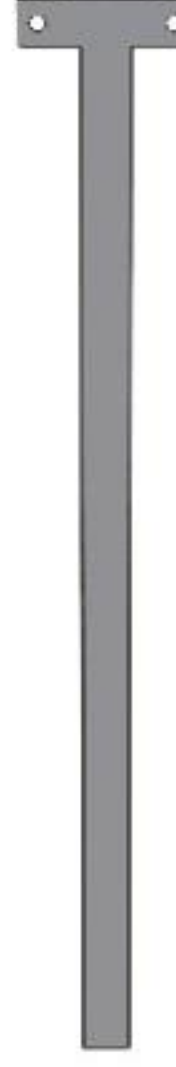


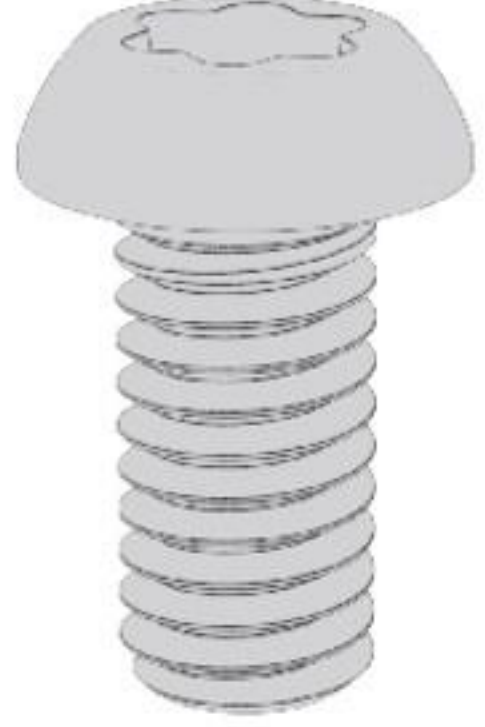
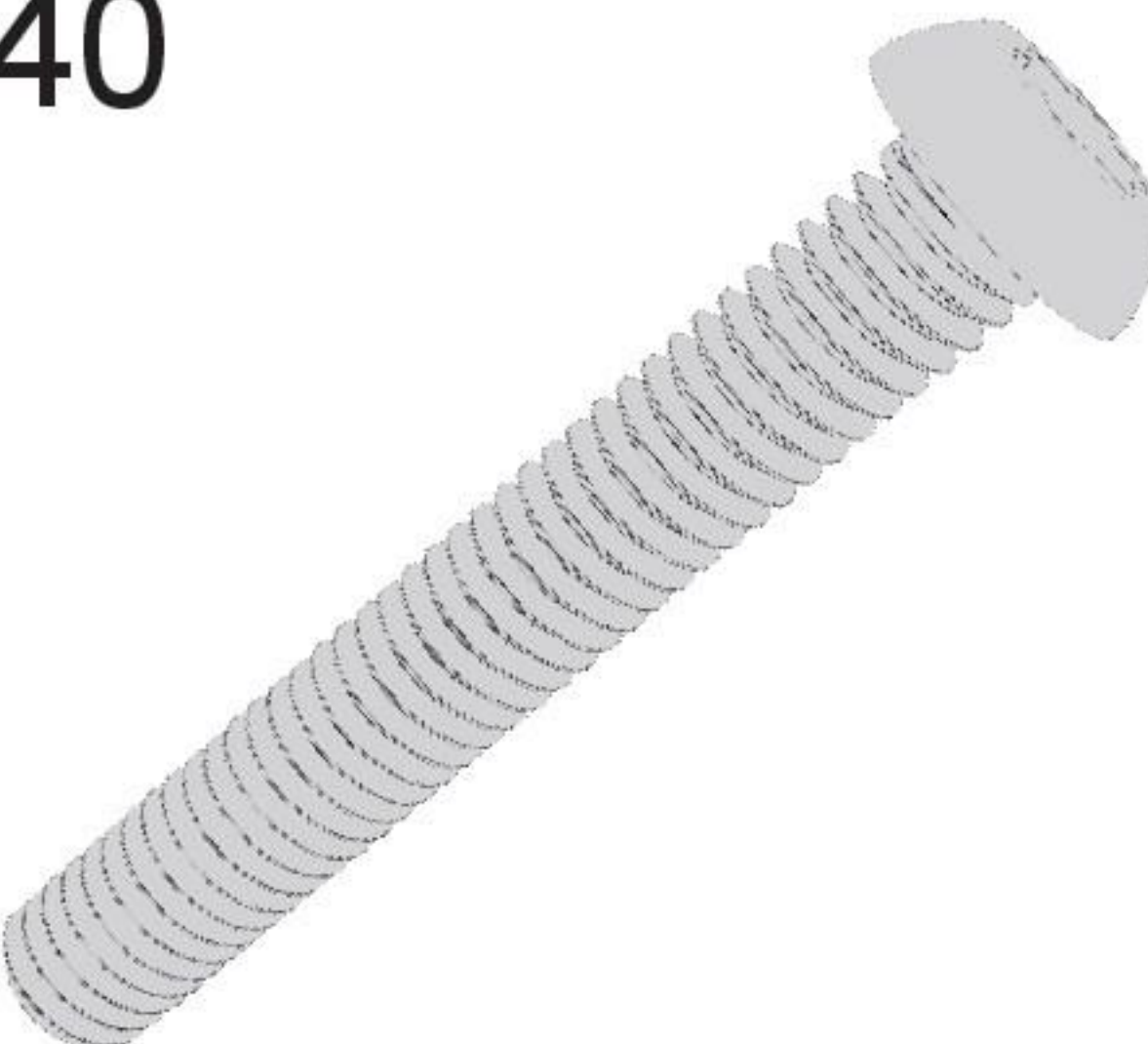
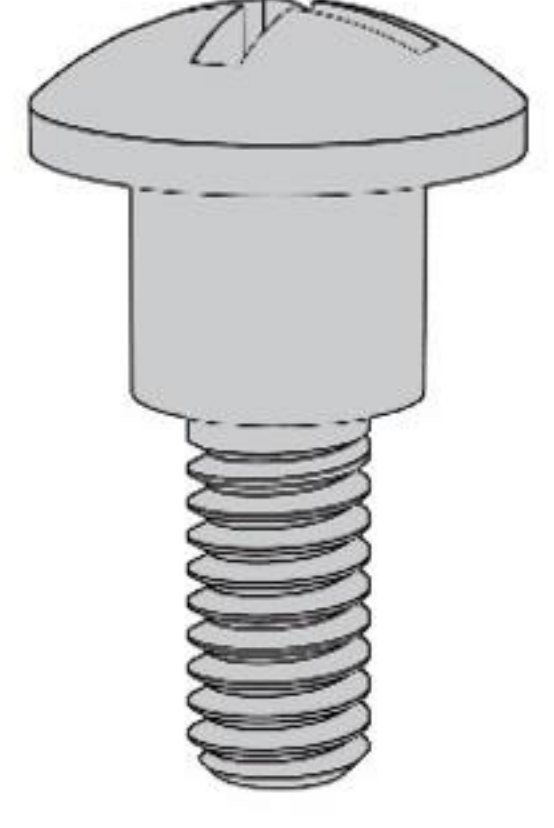

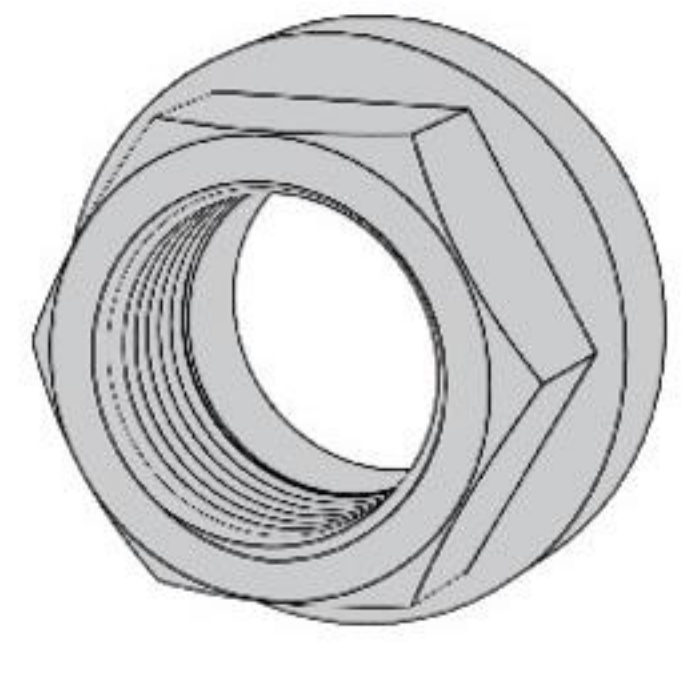
cozze®

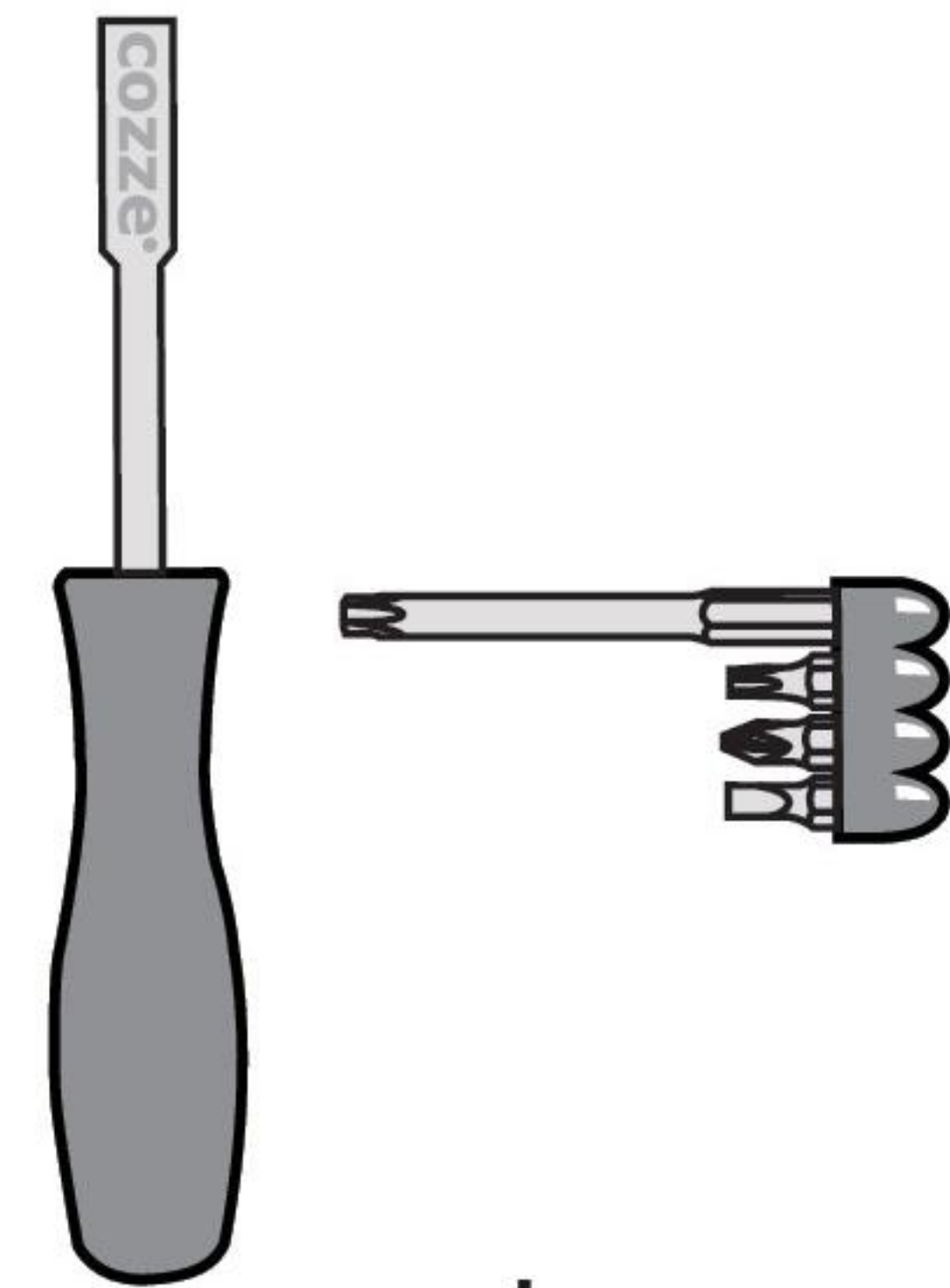
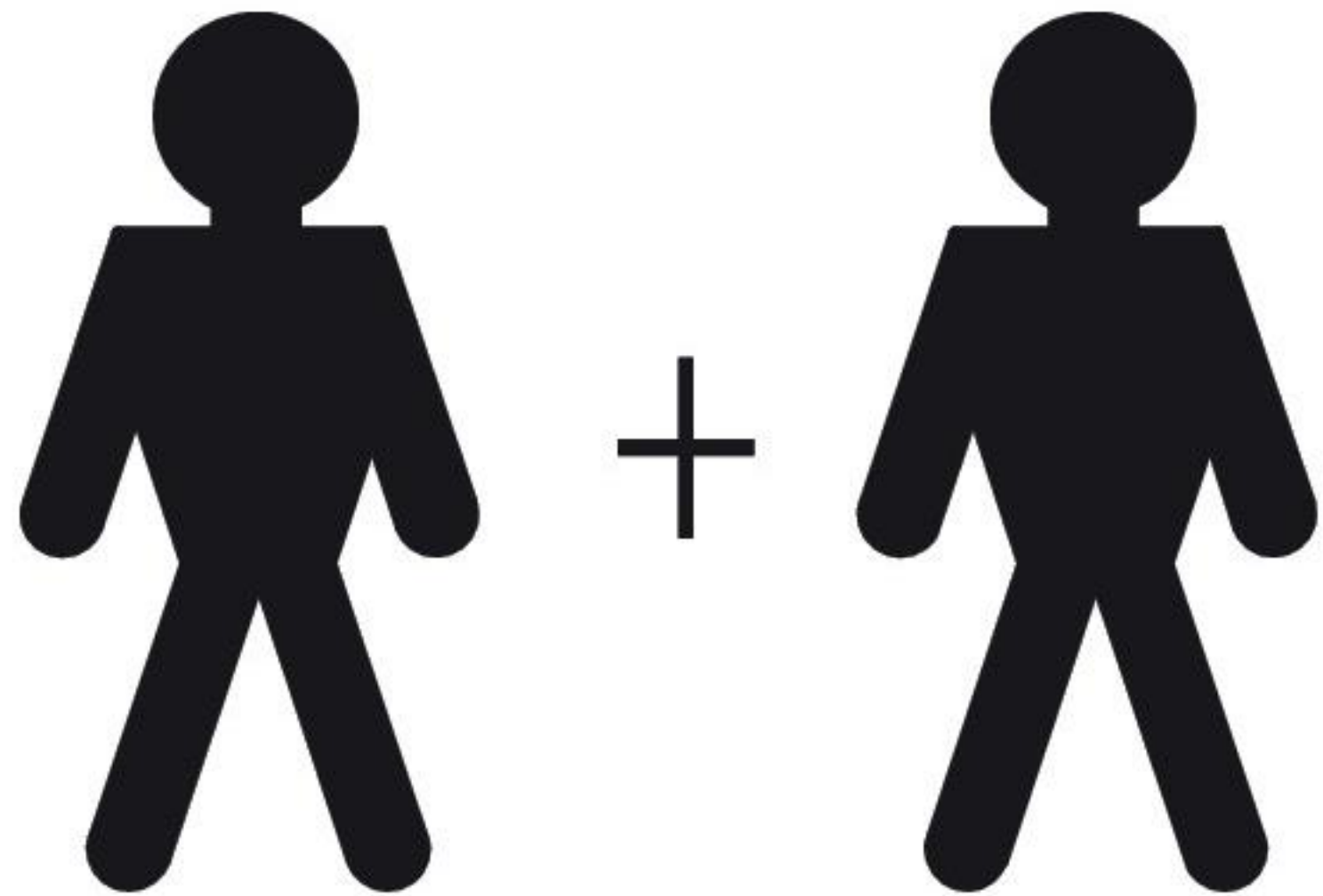




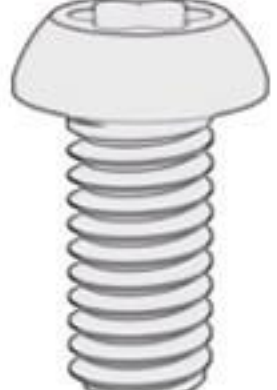
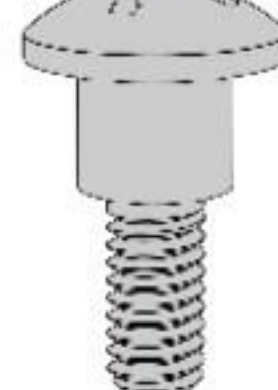
1		1pc.	7		1pc.
2		2pcs.	8A		1pc.
3		1pc.	8B		1pc.
4		1pc.	9		2pcs.
5		1pc.	10		2pcs.
6		1pc.	11		2pcs.

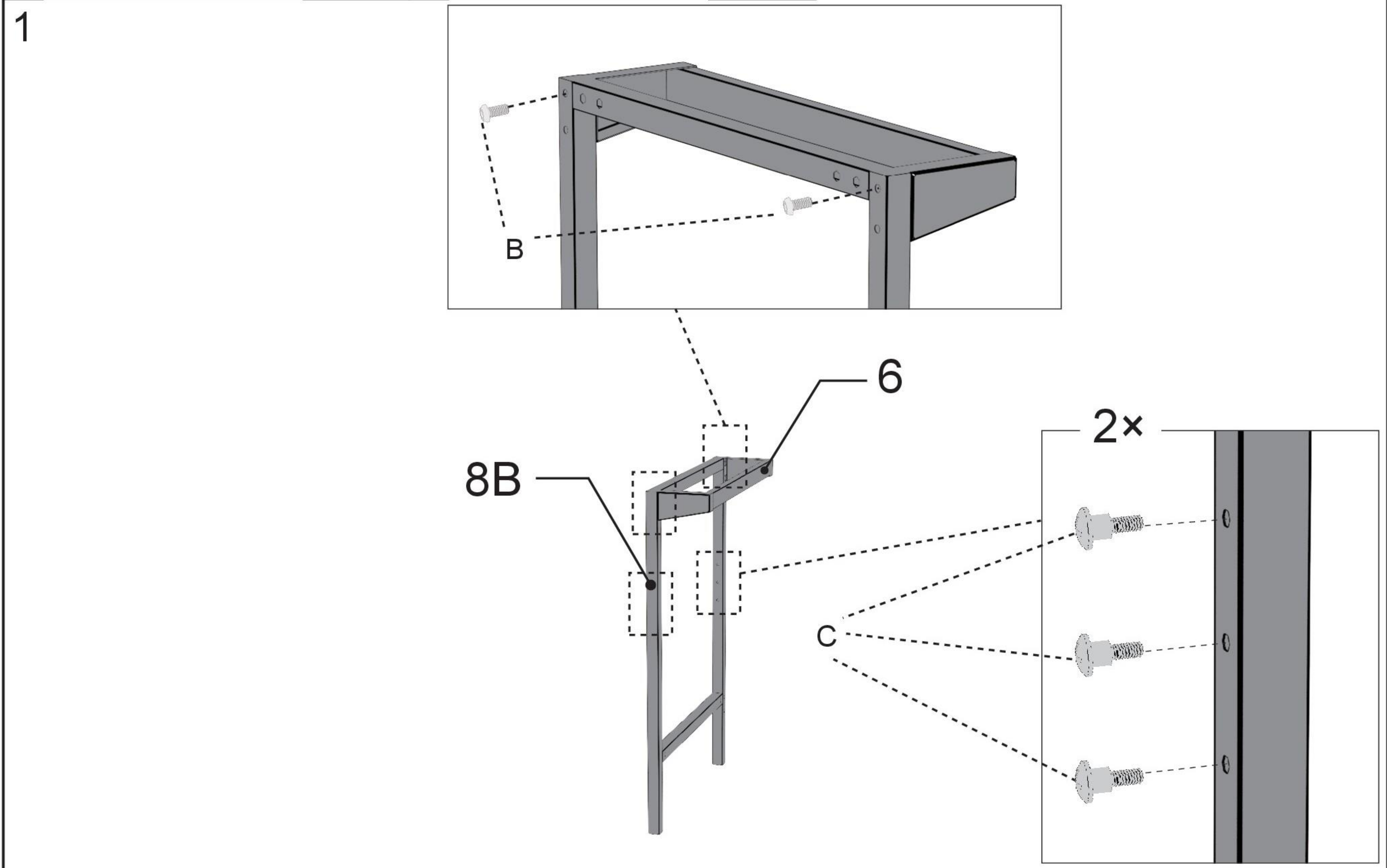
12		2pcs.	16A		1pc.
13		4pcs.	16B		1pc.



A	M6X12 	28pcs.	B	M6X40 	12pcs.
C	M4X8 	12pcs.	H	Φ16 	4pcs.
I	M8 	2pcs.			

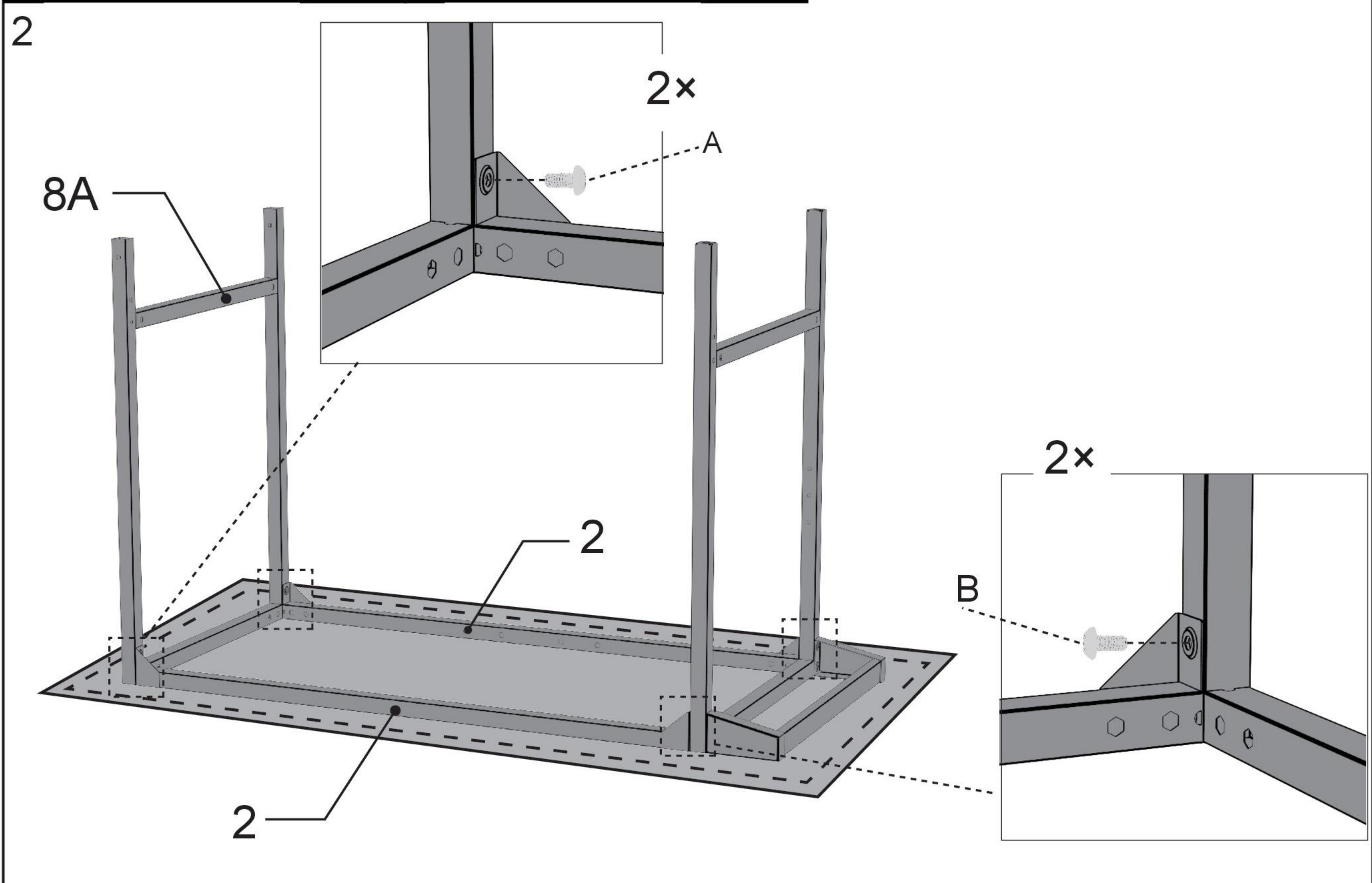


(Included)

B	M6X40 	2pcs.	C	M4X8 	6pcs.
---	--	-------	---	---	-------

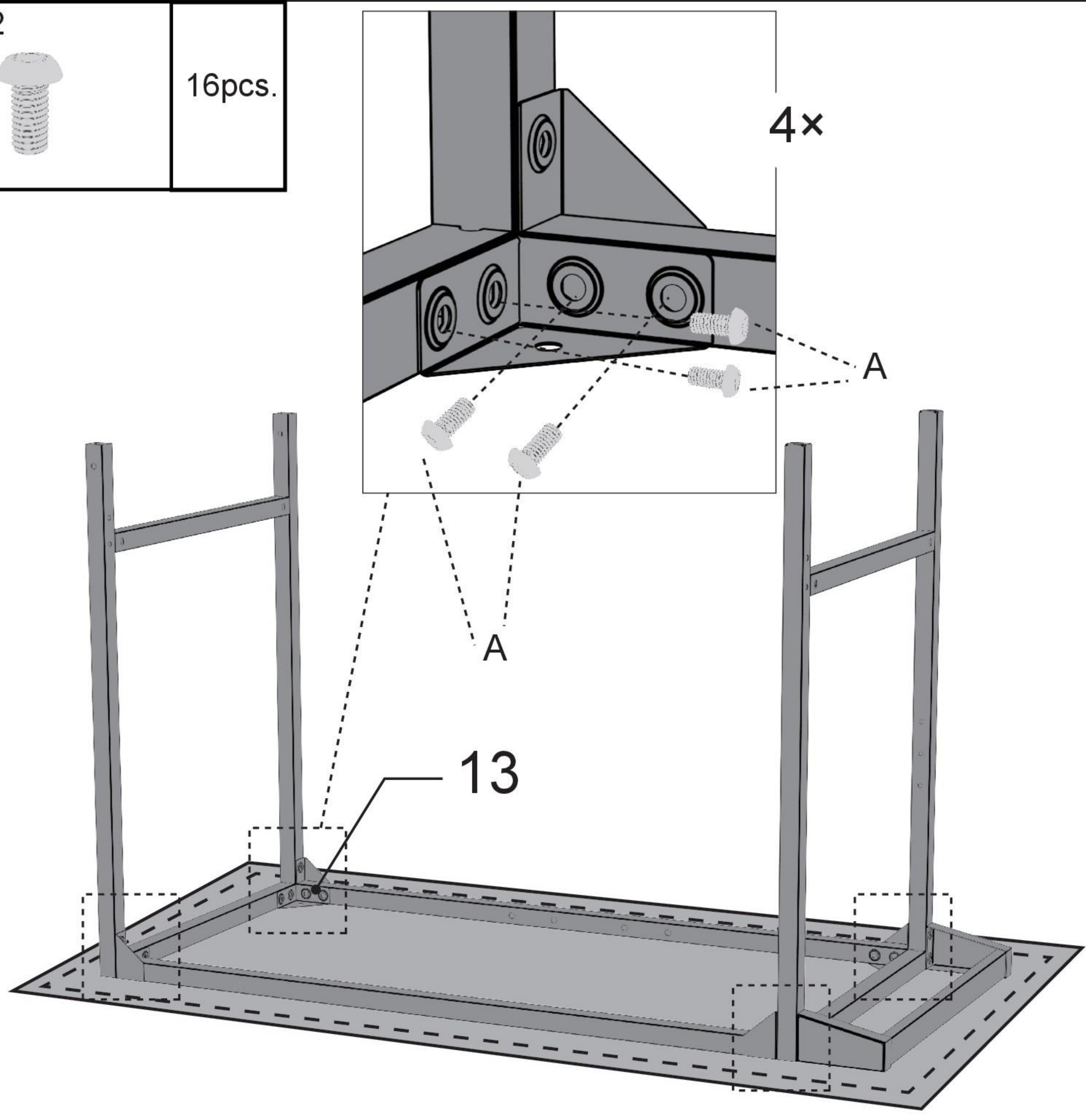



A	M6X12 	2pcs.	B	M6X40 	2pcs.
---	--	-------	---	--	-------



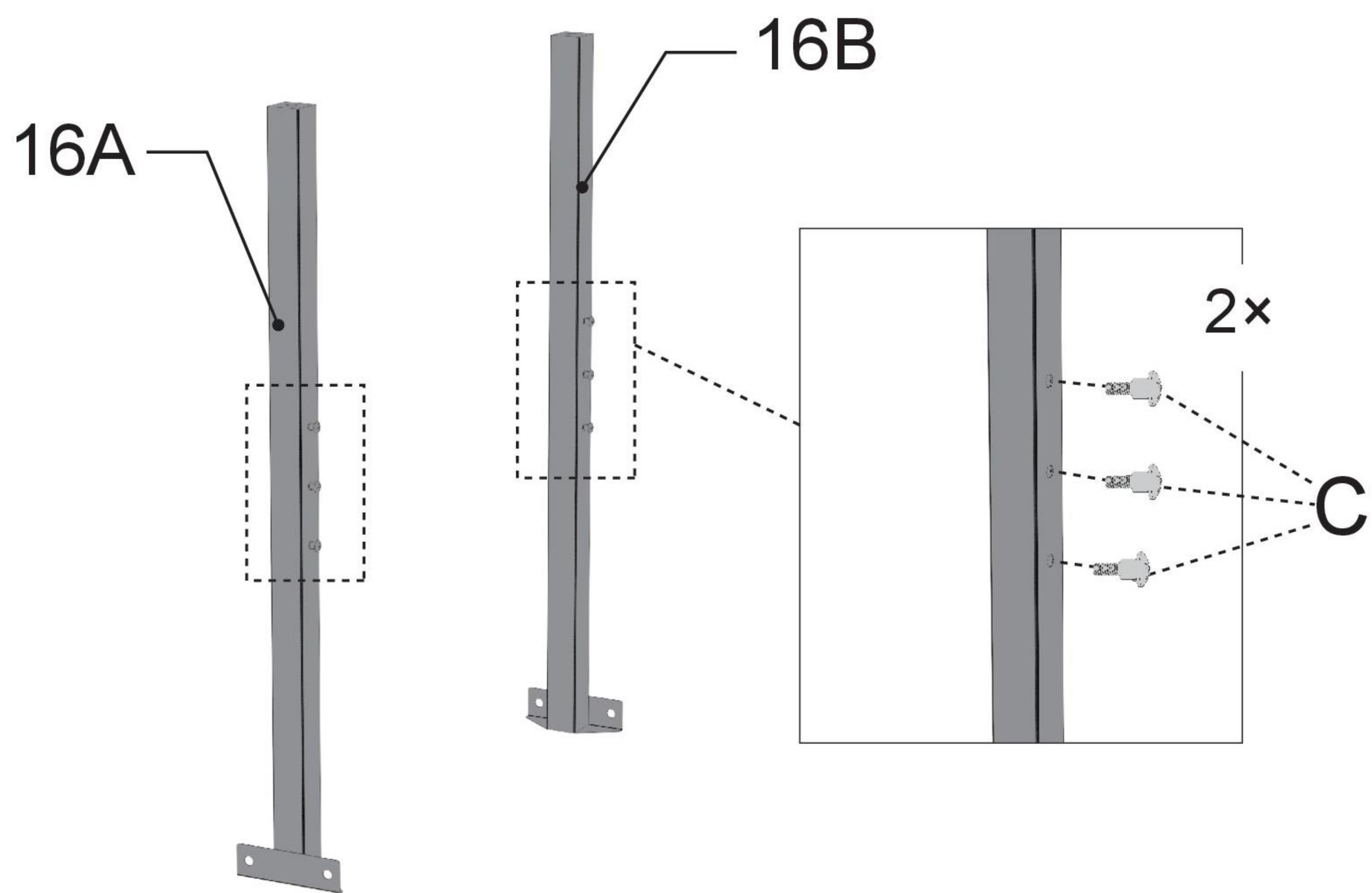
A	M6X12 	16pcs.
---	--	--------


3

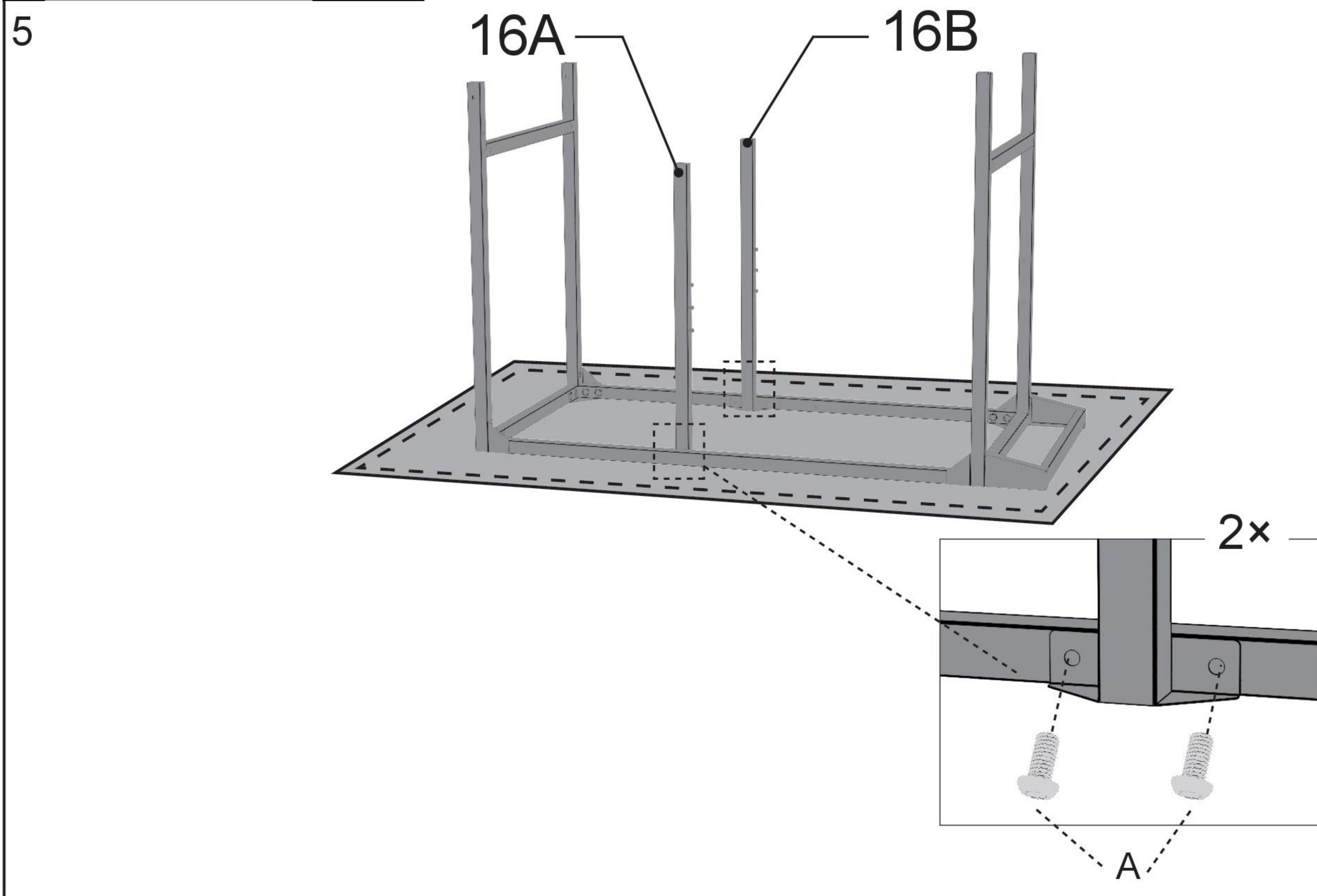


C	M4X8 	6pcs.
---	---	-------

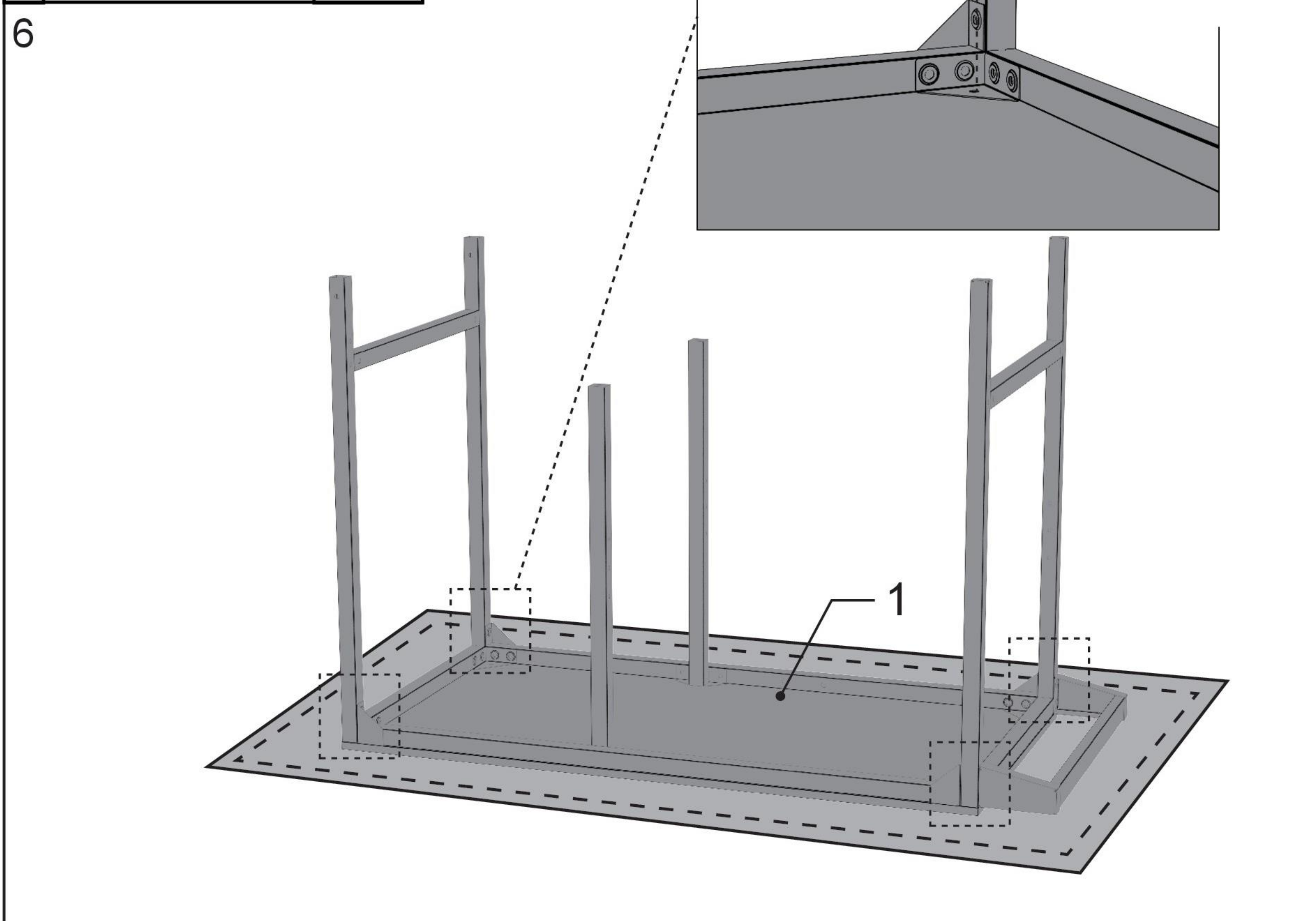
4


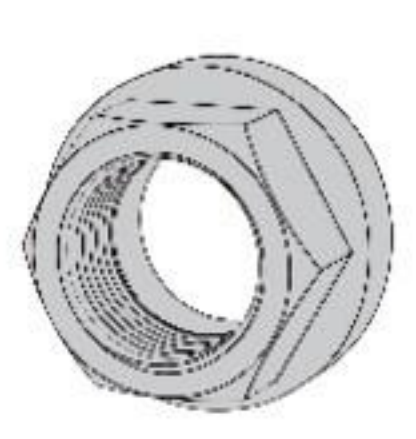


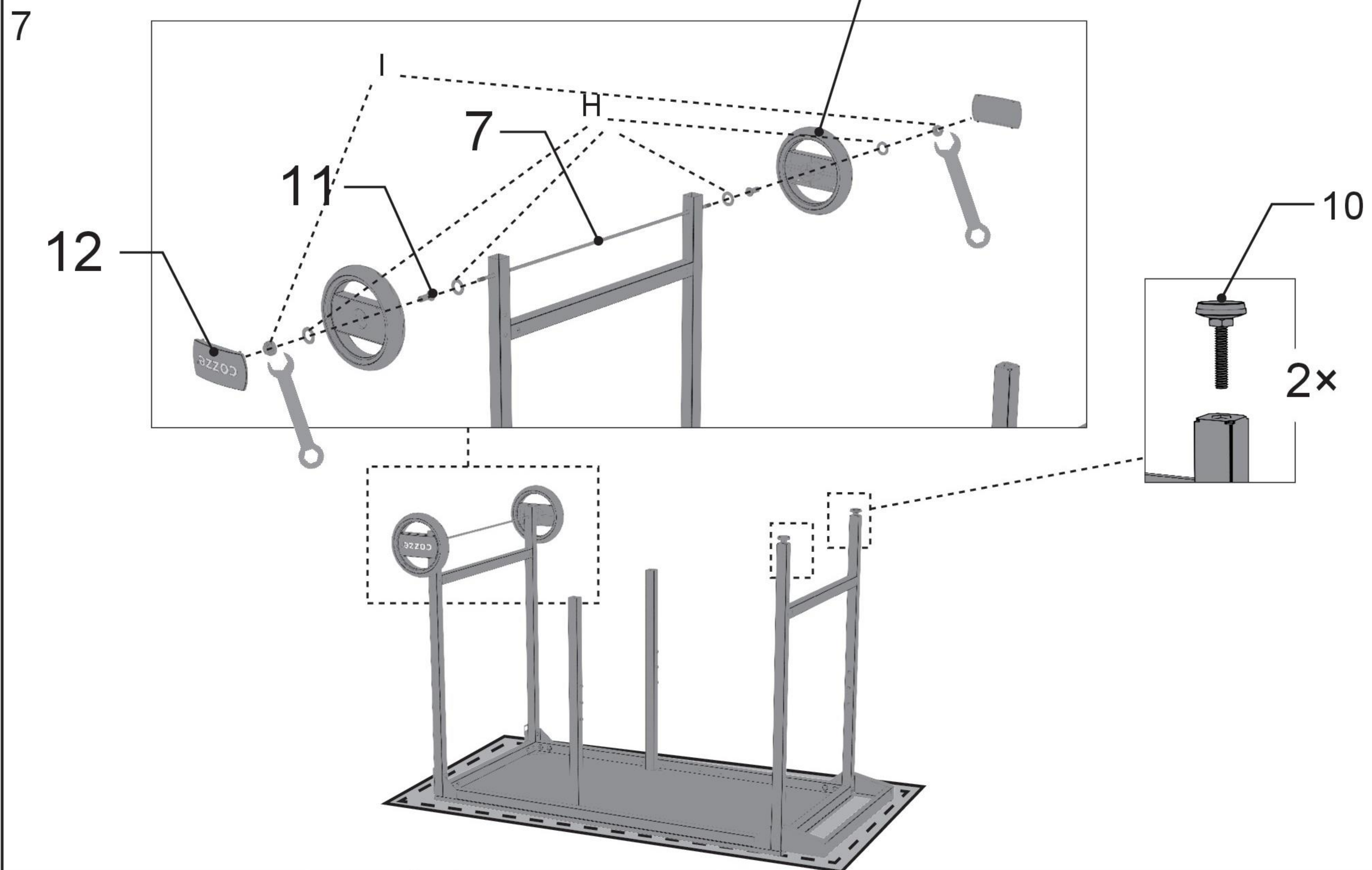
A	M6X12 	4pcs.
---	--	-------





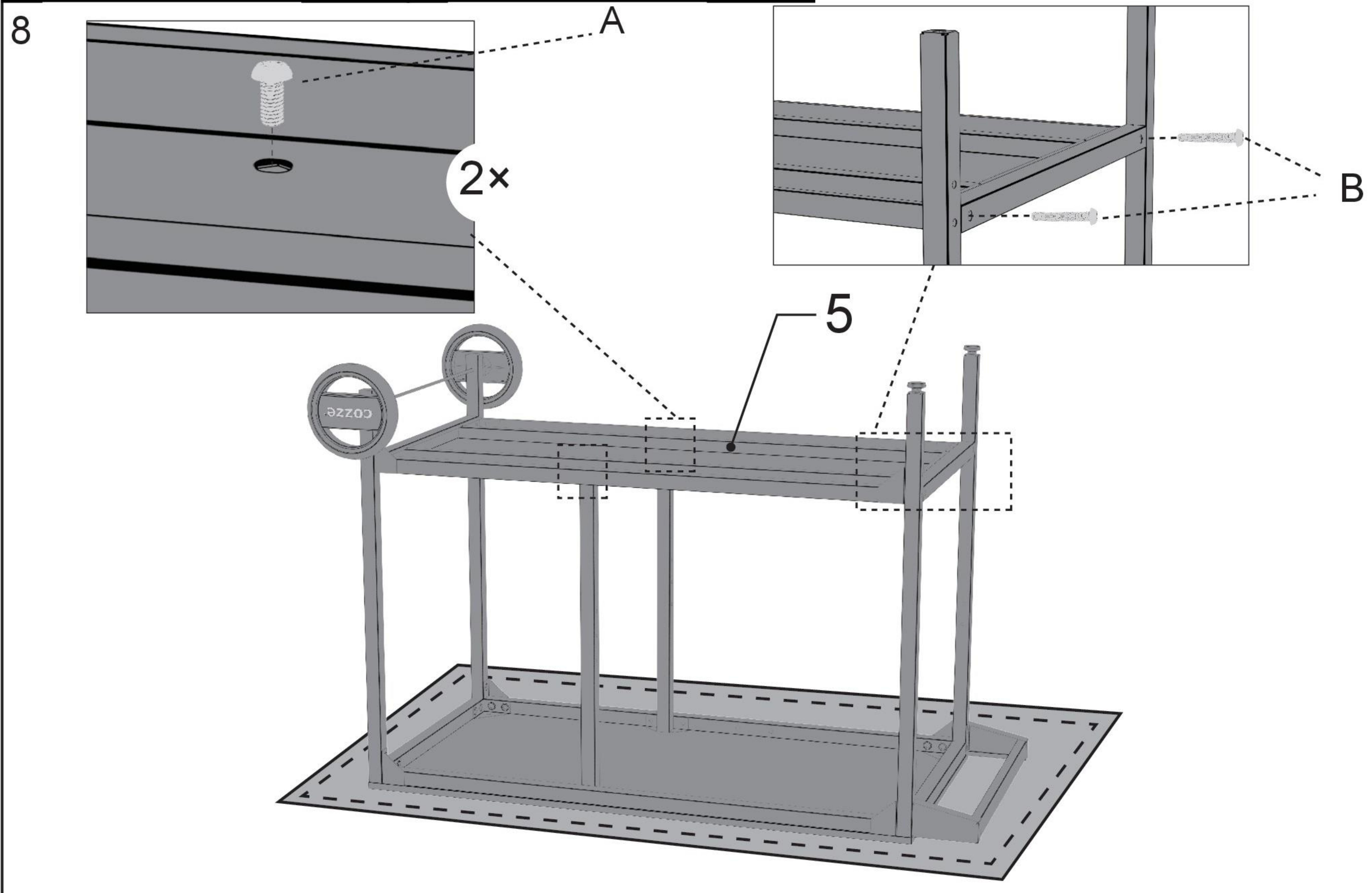
A	M6X12 	4pcs.
---	--	-------

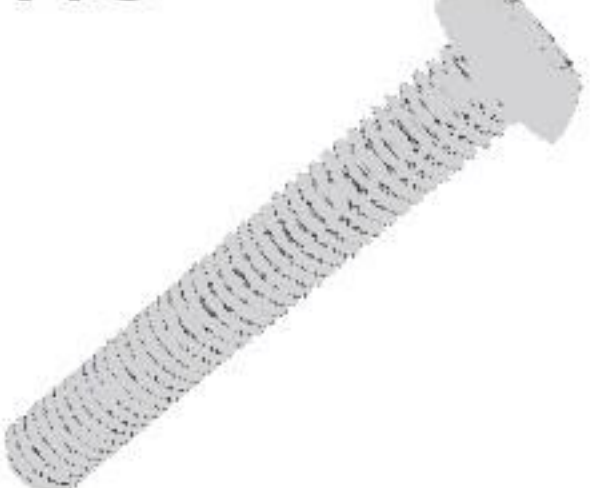


H	$\Phi 16$ 	4pcs.	I	M8 	2pcs.
---	--	-------	---	---	-------

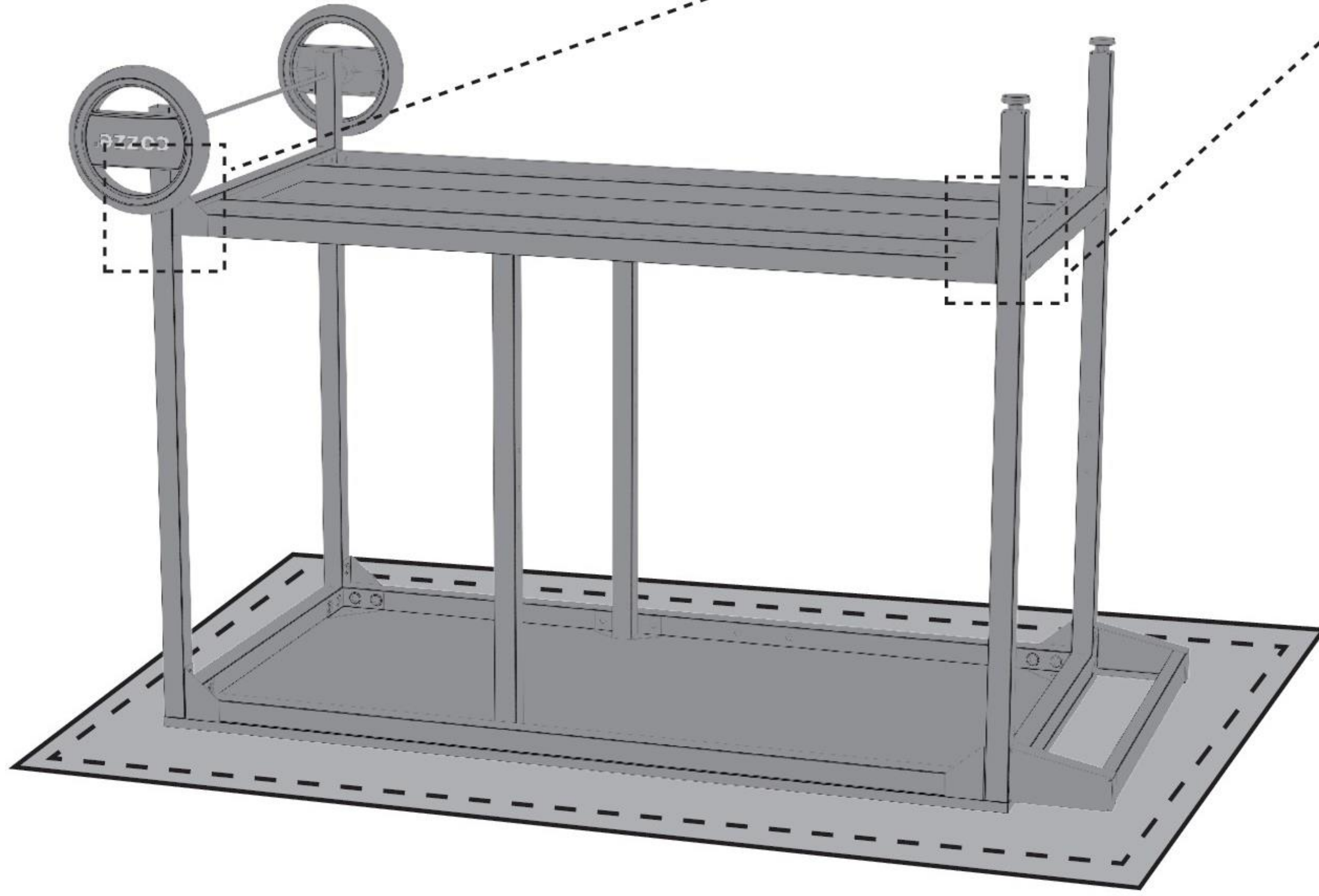
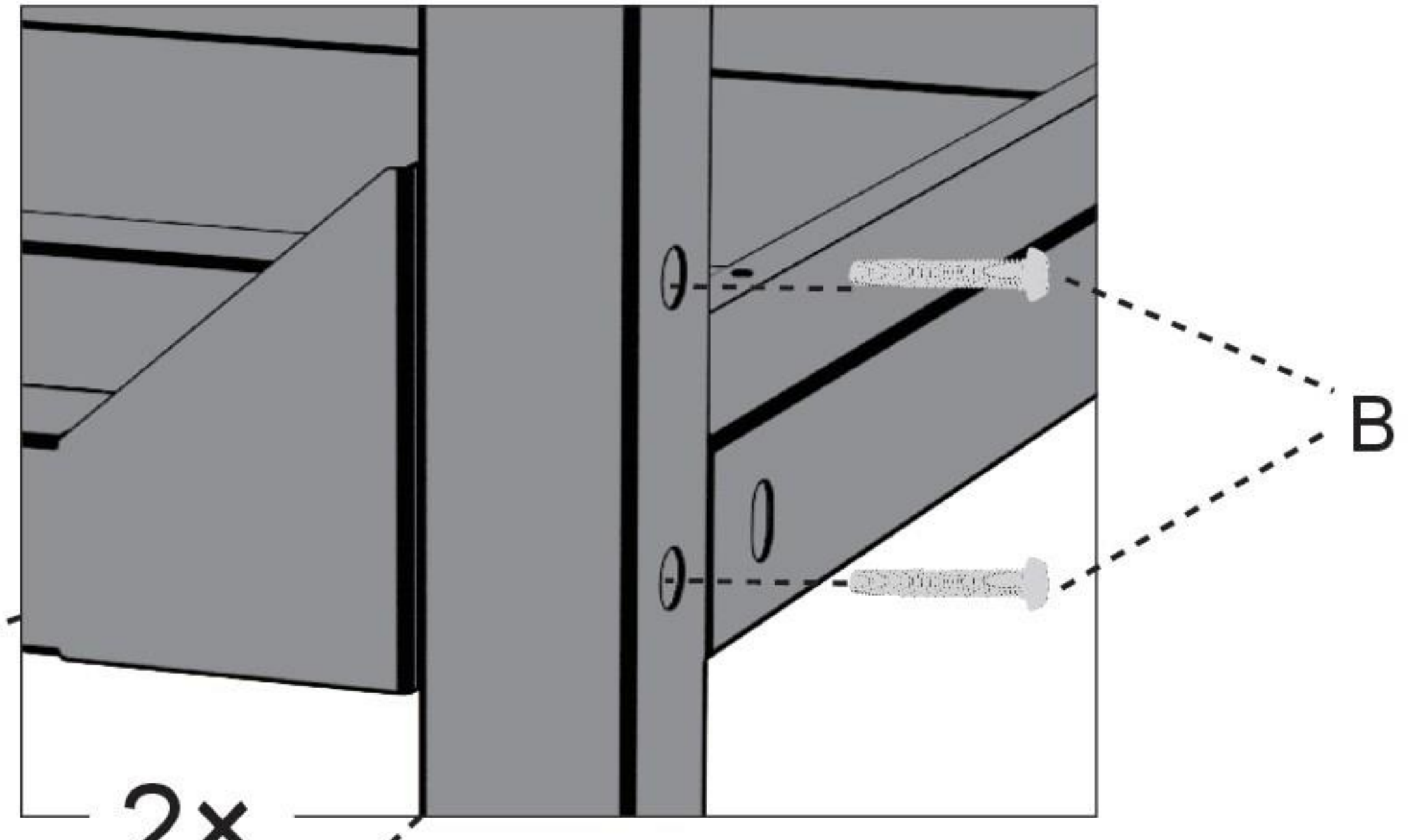


B	M6X40 	4pcs.	A	M6X12 	2pcs.
---	--	-------	---	--	-------

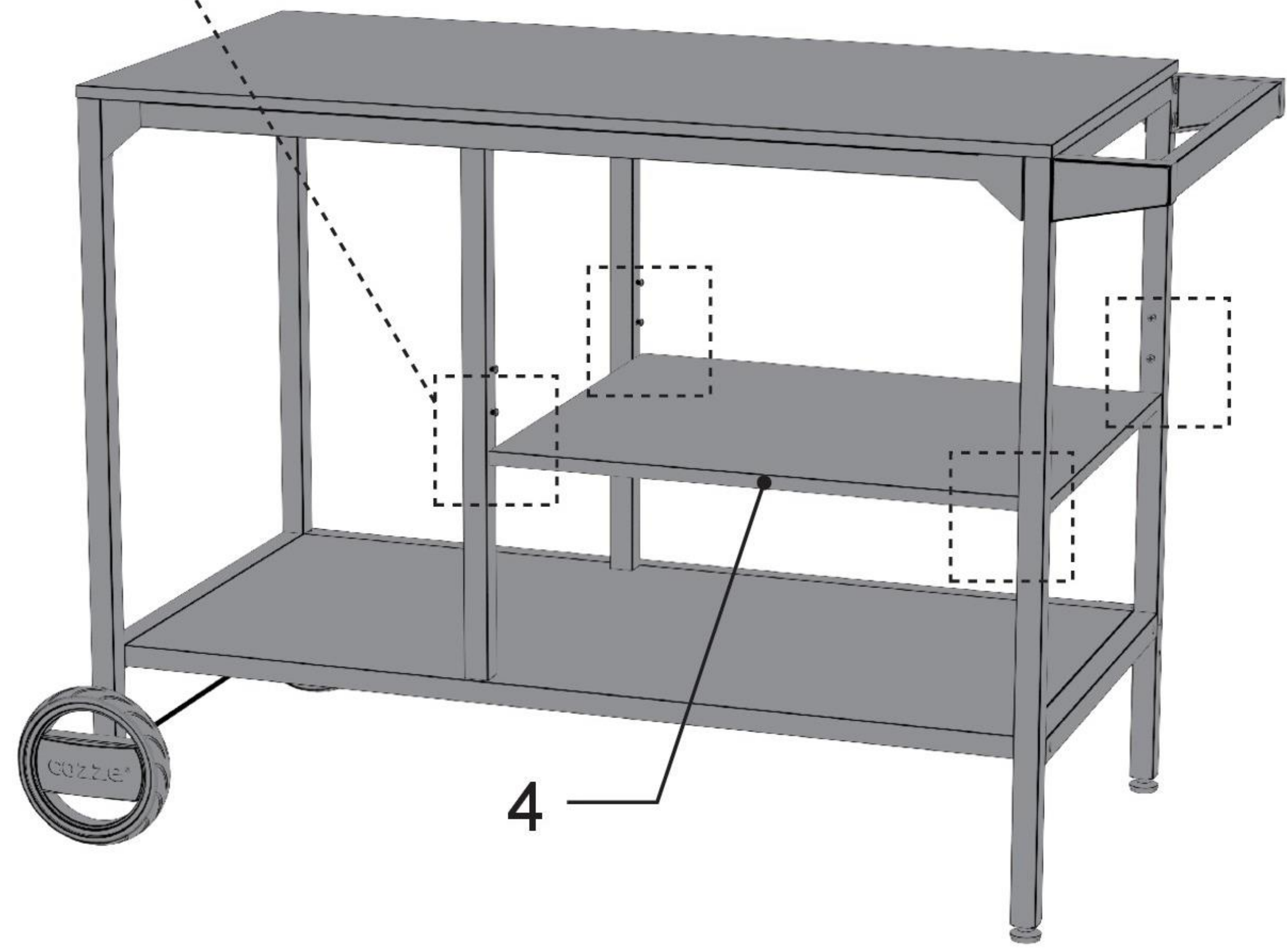
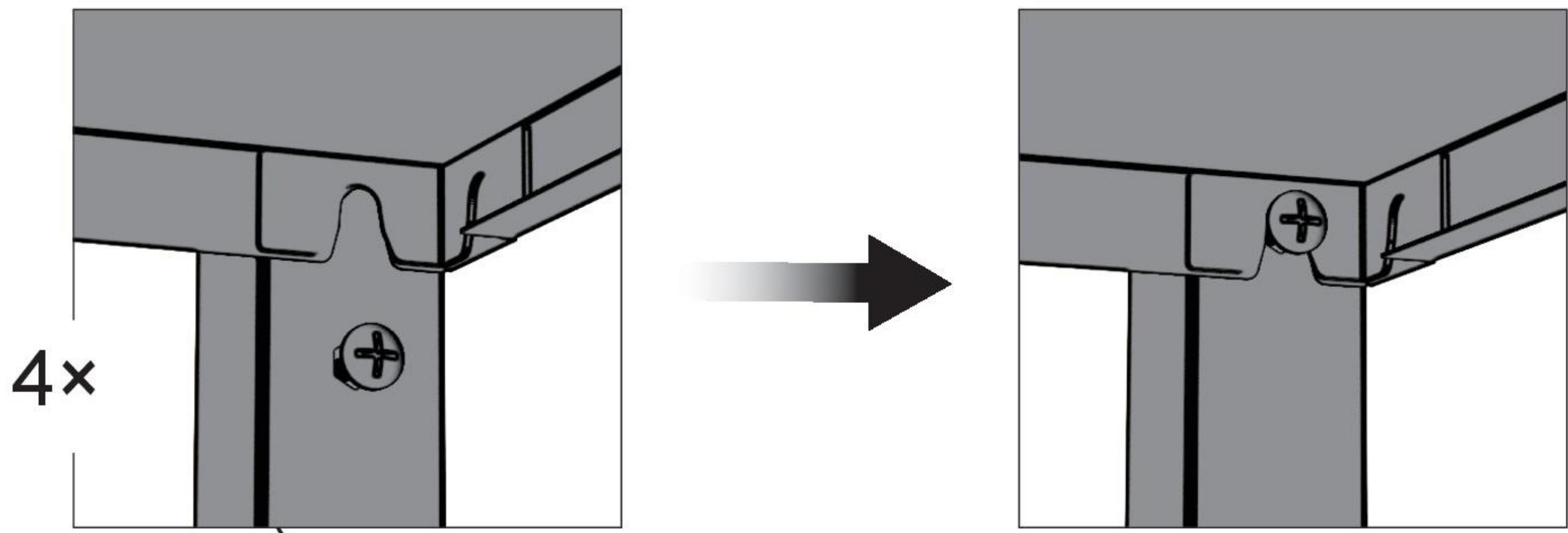


B	M6X40 	4pcs.
---	--	-------

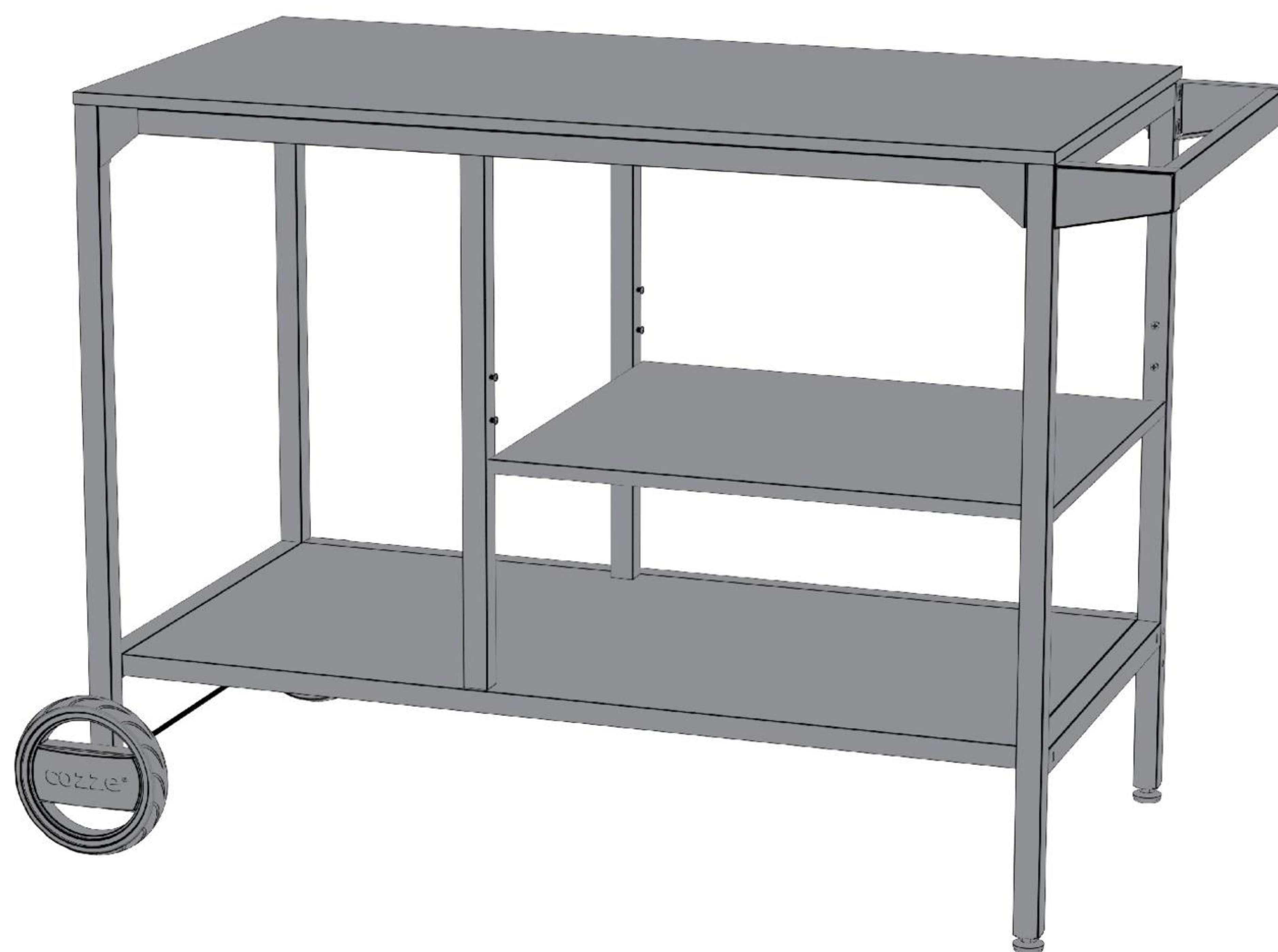
9



10



11



OK



90201



FIND MORE INSPIRATION
AT COZZEBBQ.COM



Manufactured by
Millarco International A/S
Rokhoj 26, 8520 Lystrup - Denmark
www.millarco.com
www.cozzebbq.com



cozze®