

# ASSEMBLY INSTRUCTIONS FOR 900 STATION

OUTSTANDING  
★  
DANISH DESIGN



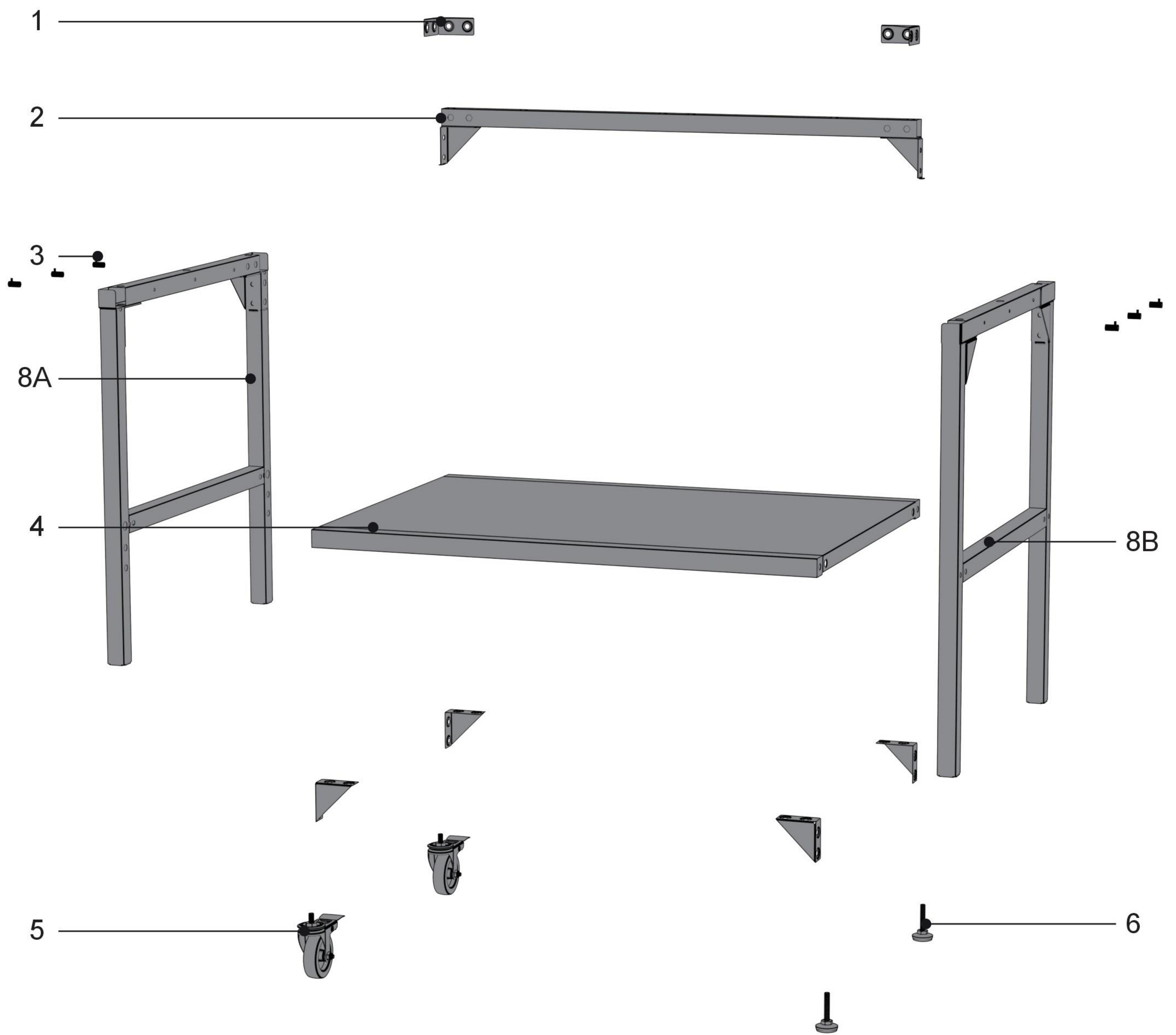
FIND A VIDEO ON HOW TO  
ASSEMBLE THE TABLE AT  
[COZZEBBQ.COM/ASSEMBLY](http://COZZEBBQ.COM/ASSEMBLY)

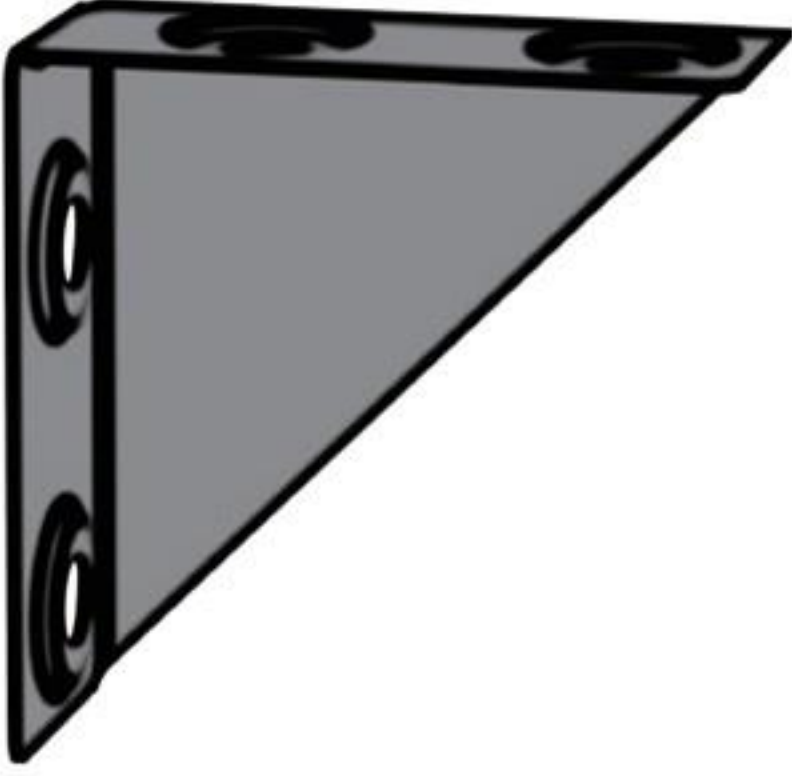


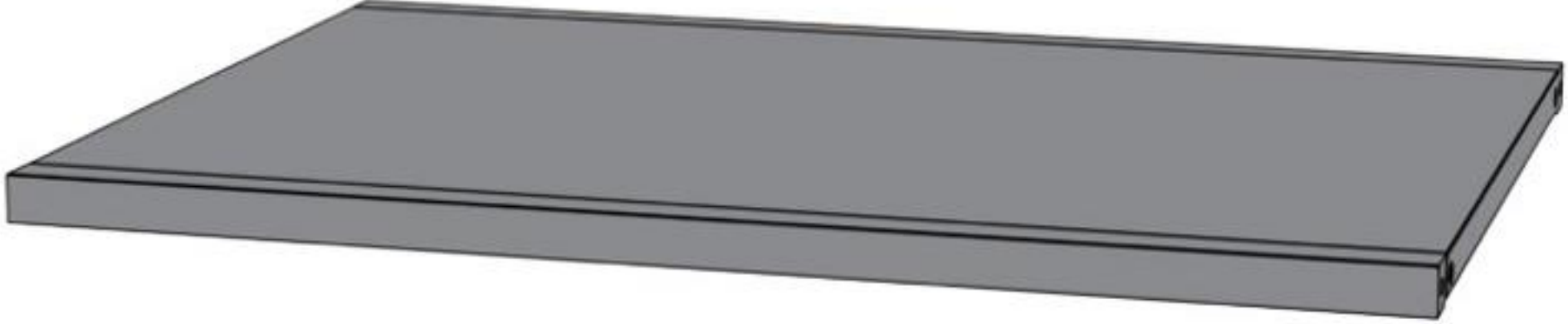
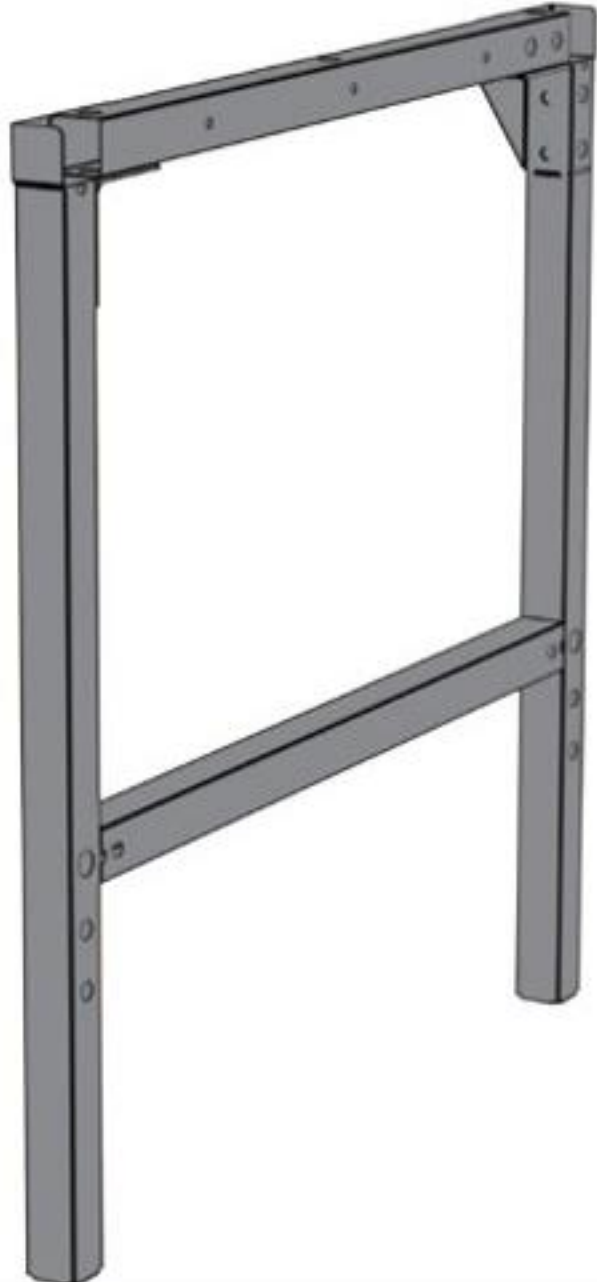
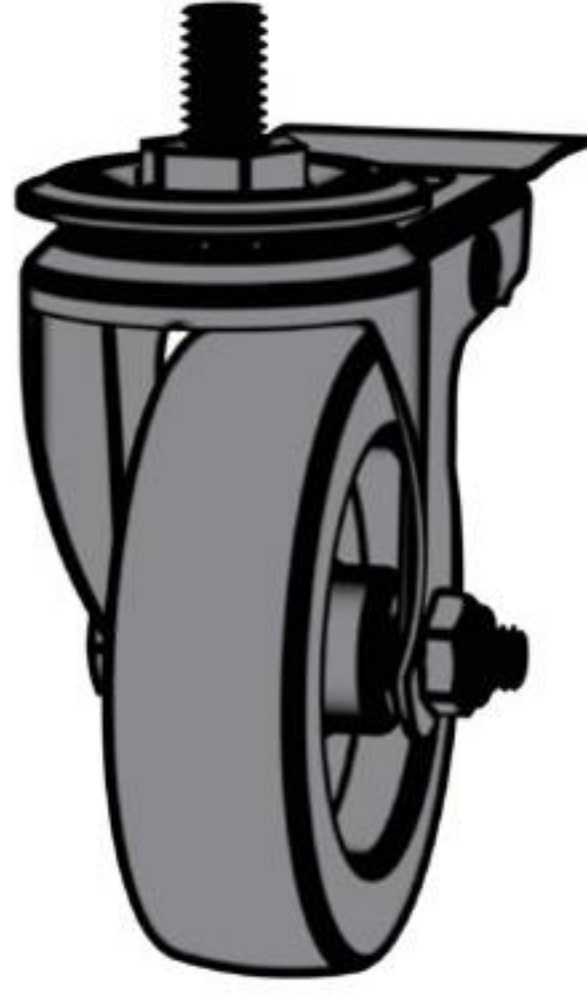

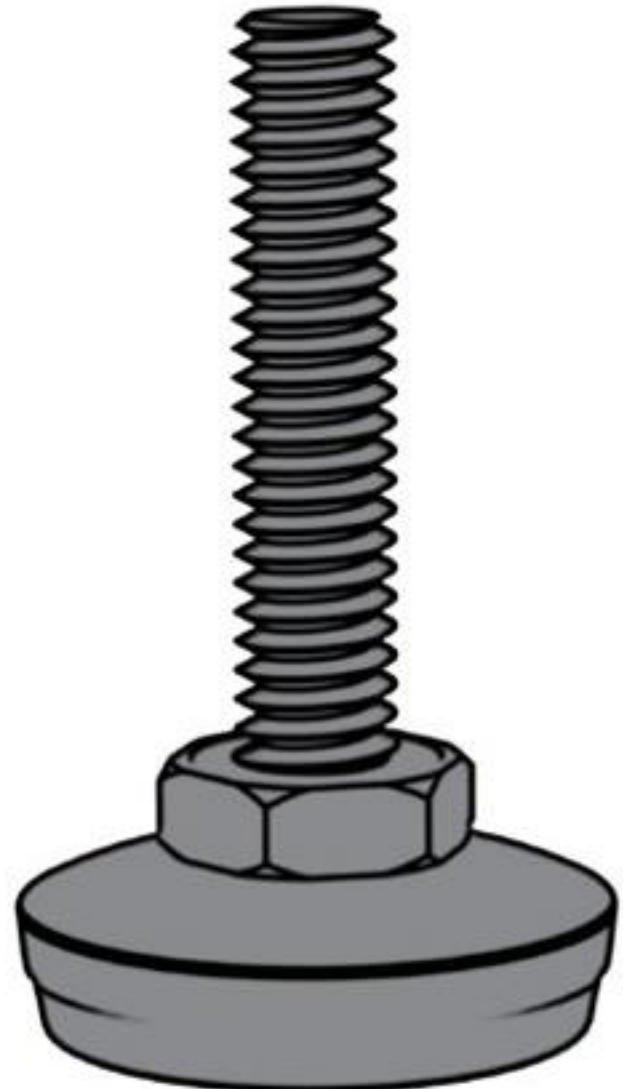


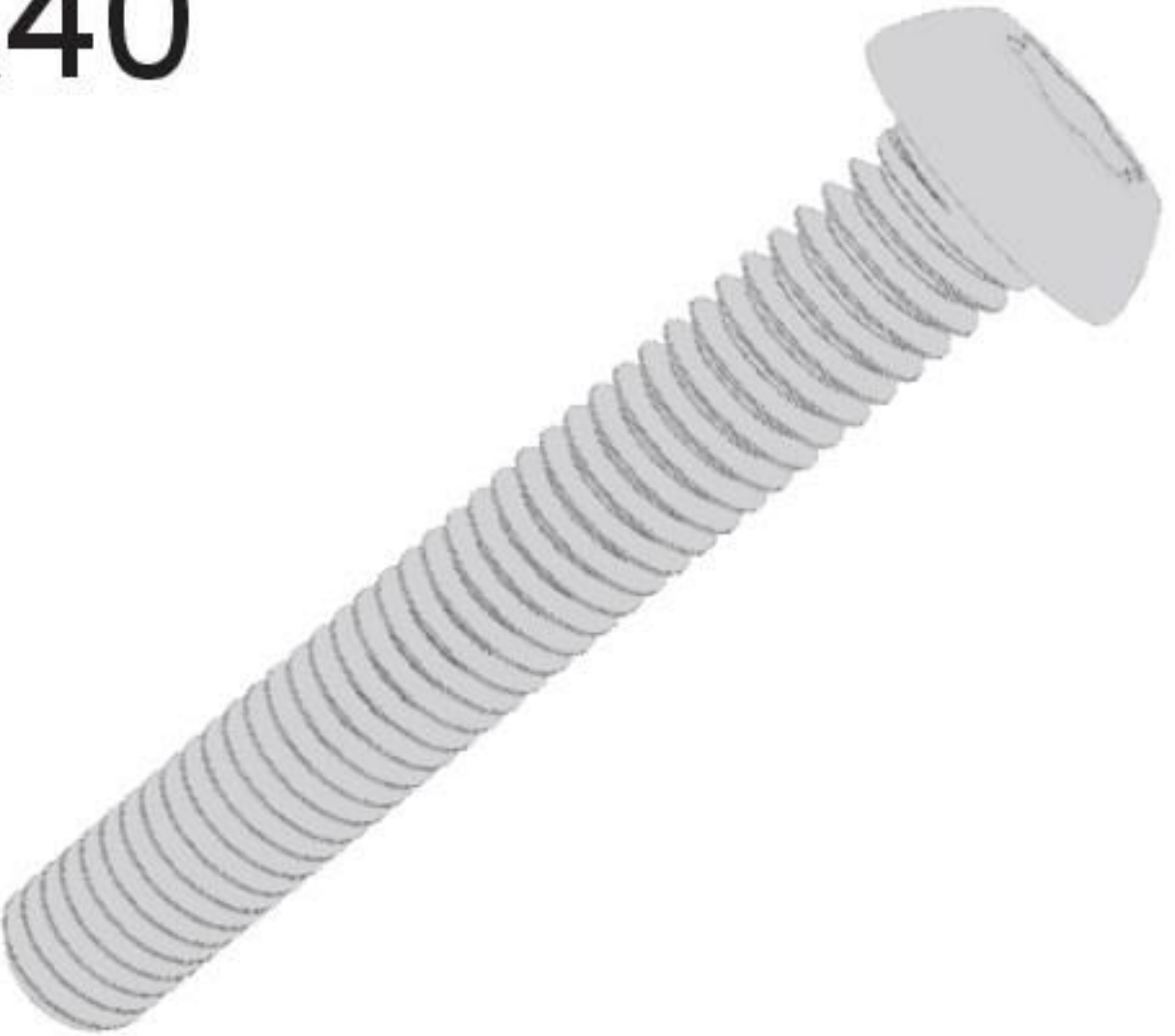



**cozze**®

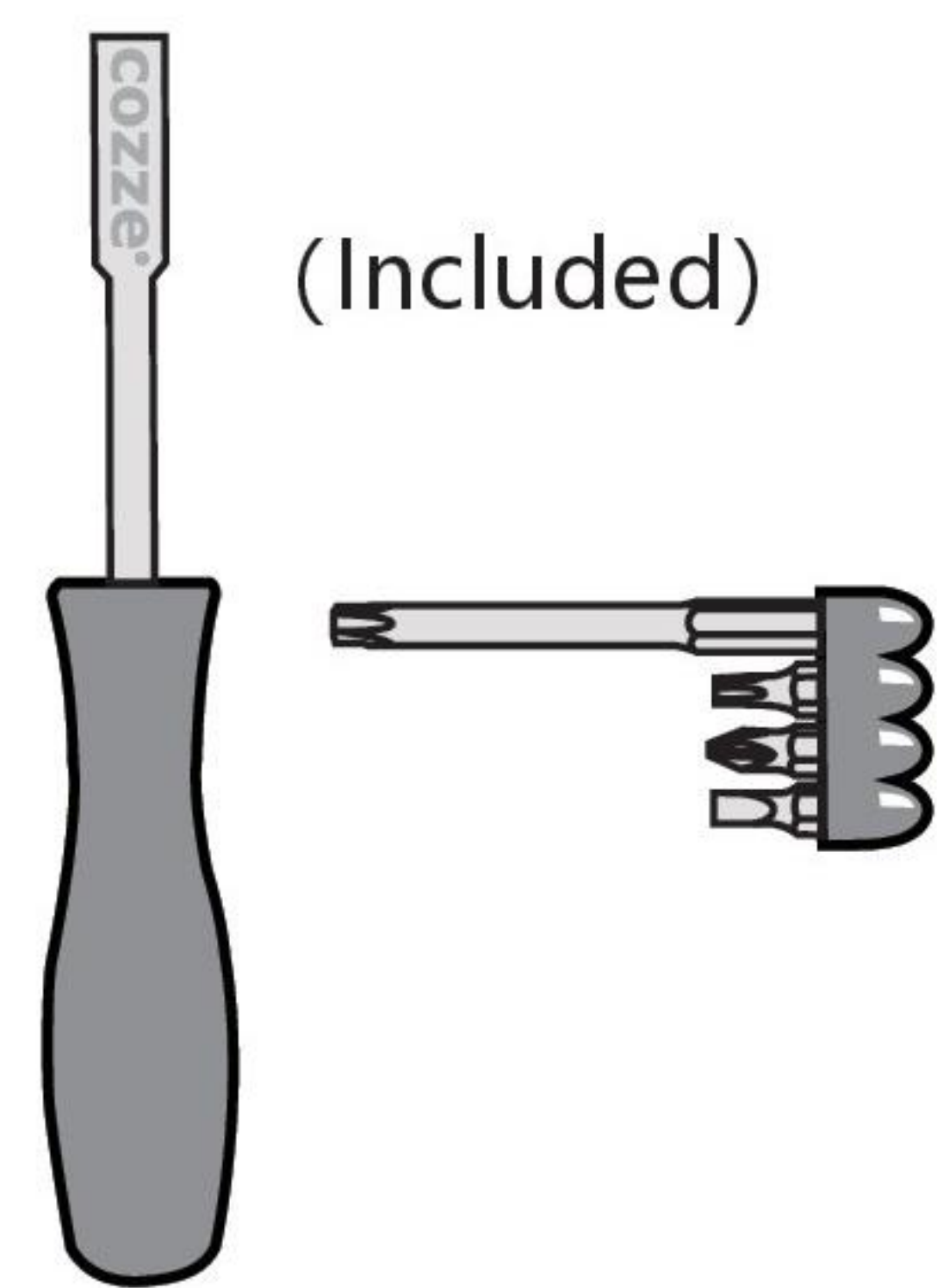
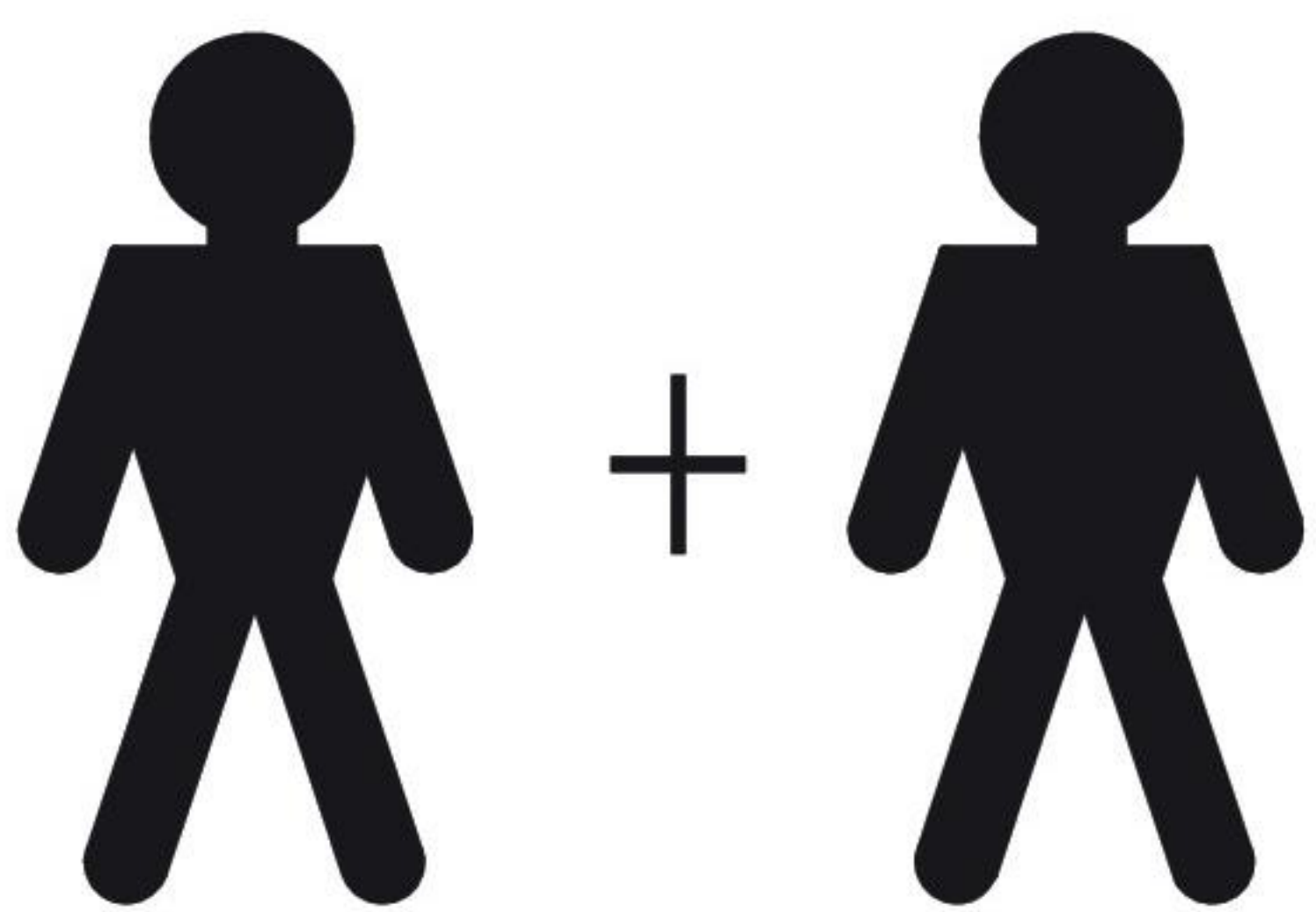






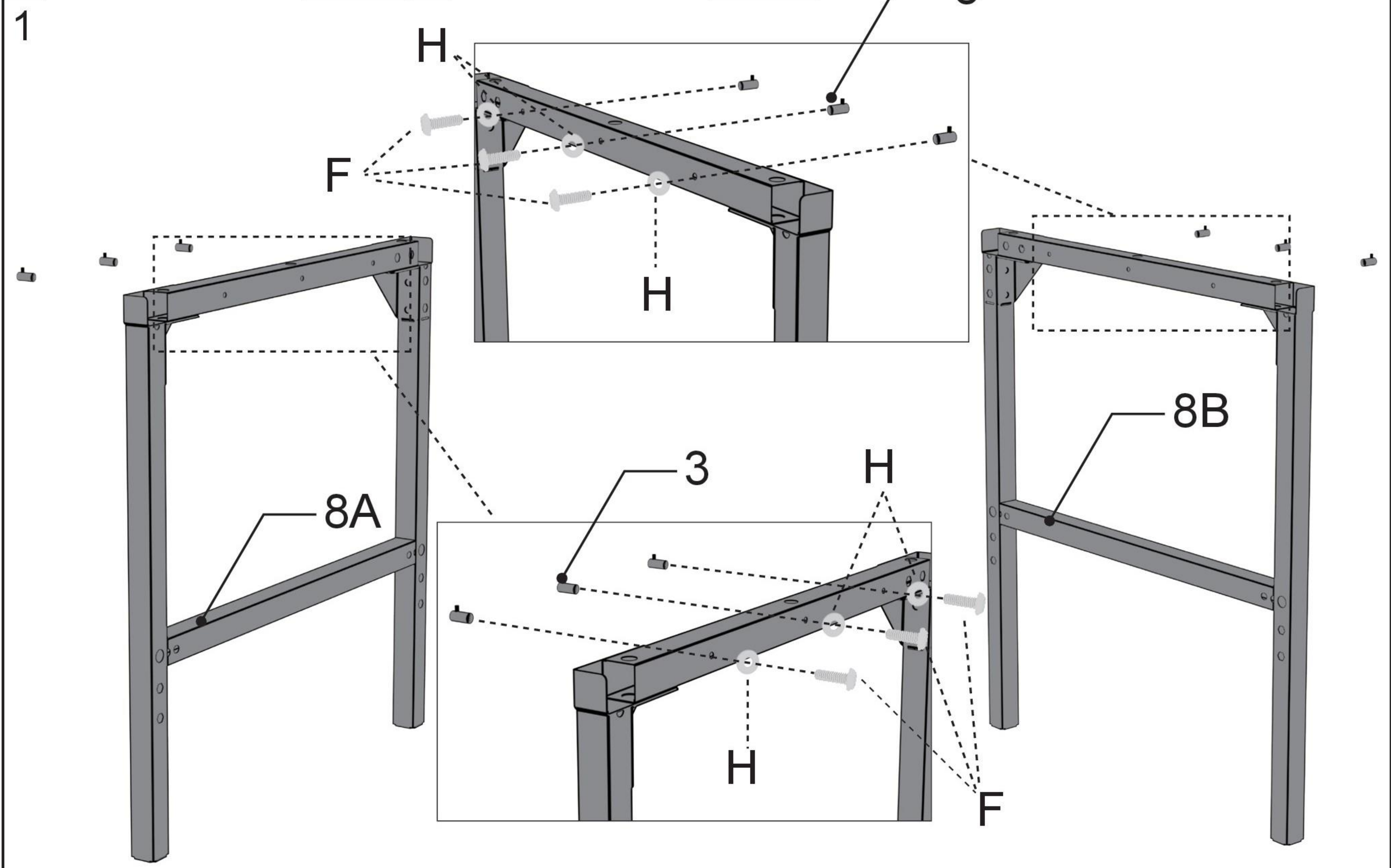



1		6pcs.	3		6pcs.
2		1pc.	4		1pc.
8A		1pc.	5		2pcs.
8B		1pc.	6		2pcs.

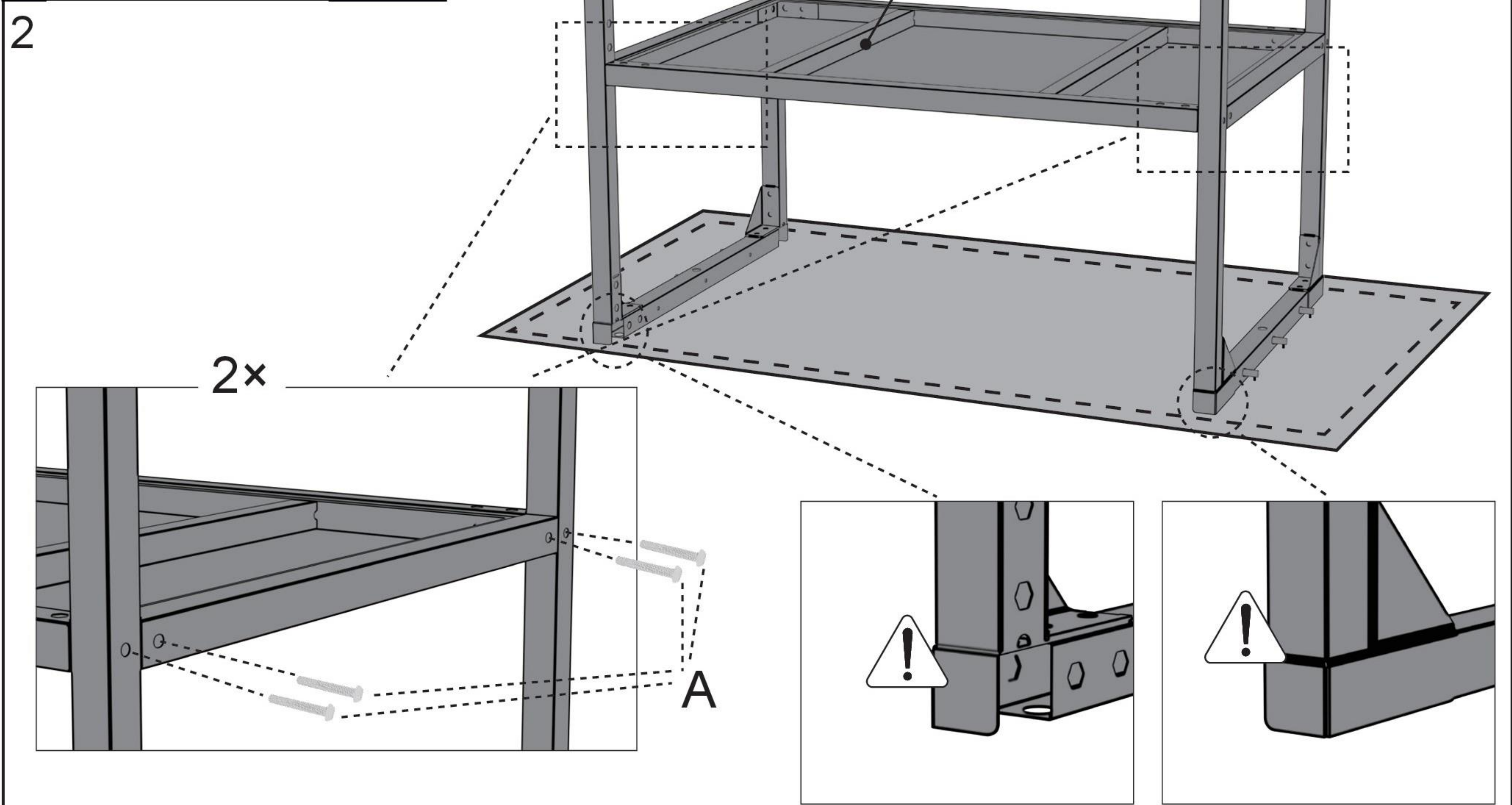
A	M6X40 	8pcs.	F	M4X40 	6pcs.
B	M6X12 	28pcs.	H	$\phi$ 4.5 	6pcs.



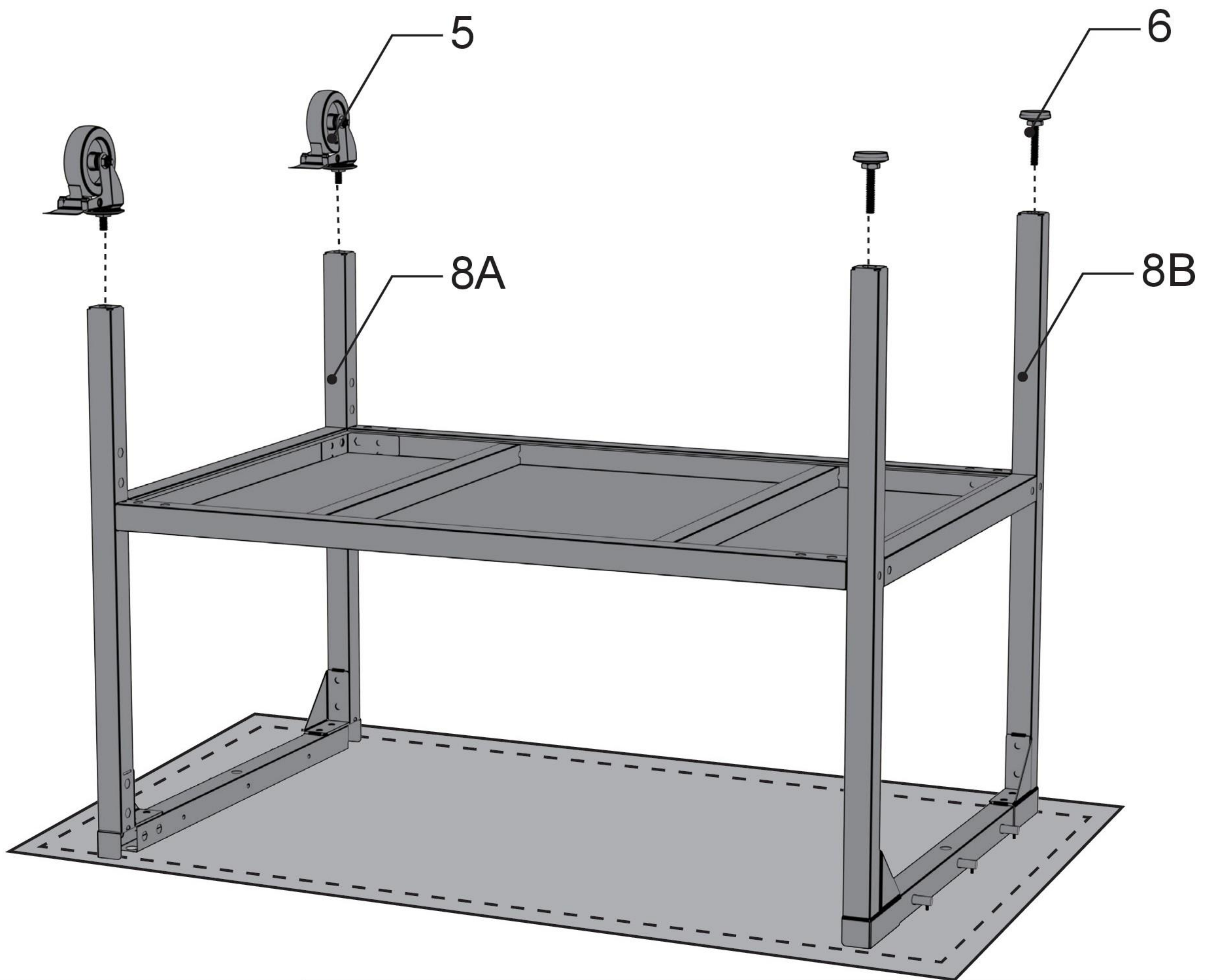
	M4X40		$\phi 4.5$	
F		6pcs.		6pcs.



	M6X40		
A		8pcs.	

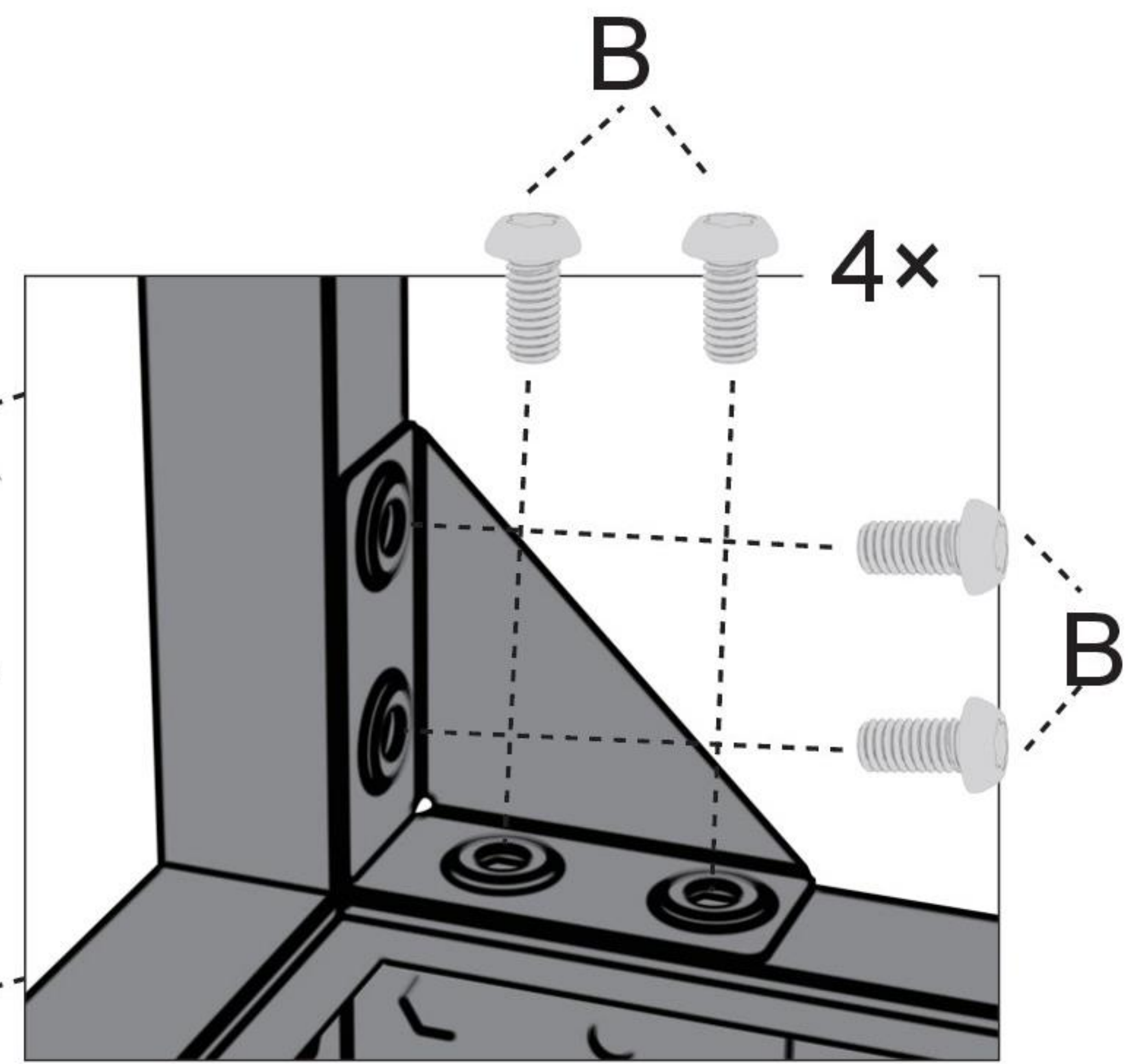
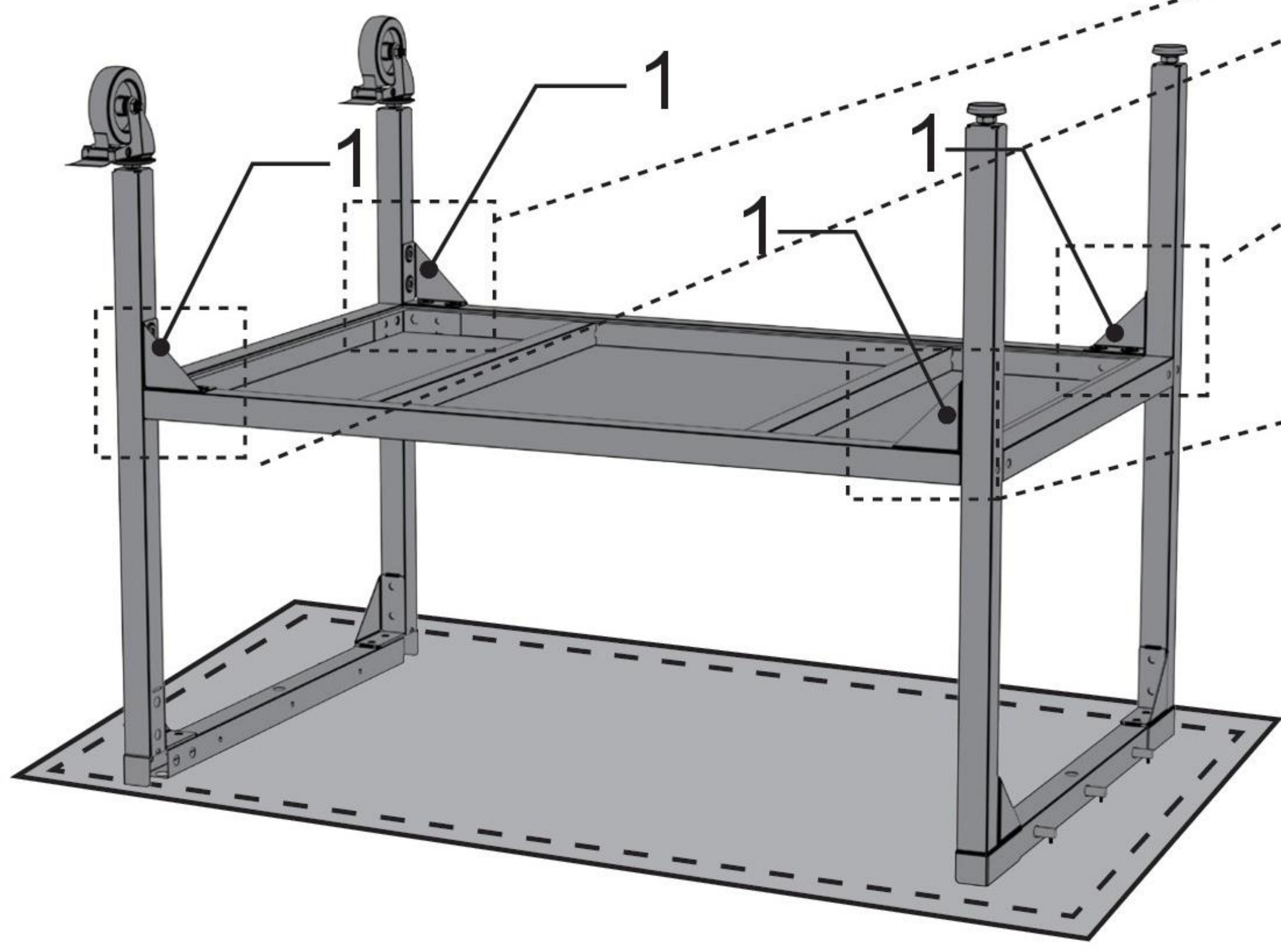


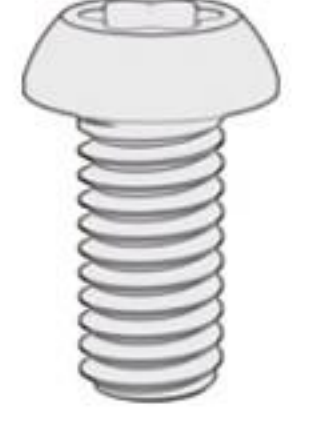
3



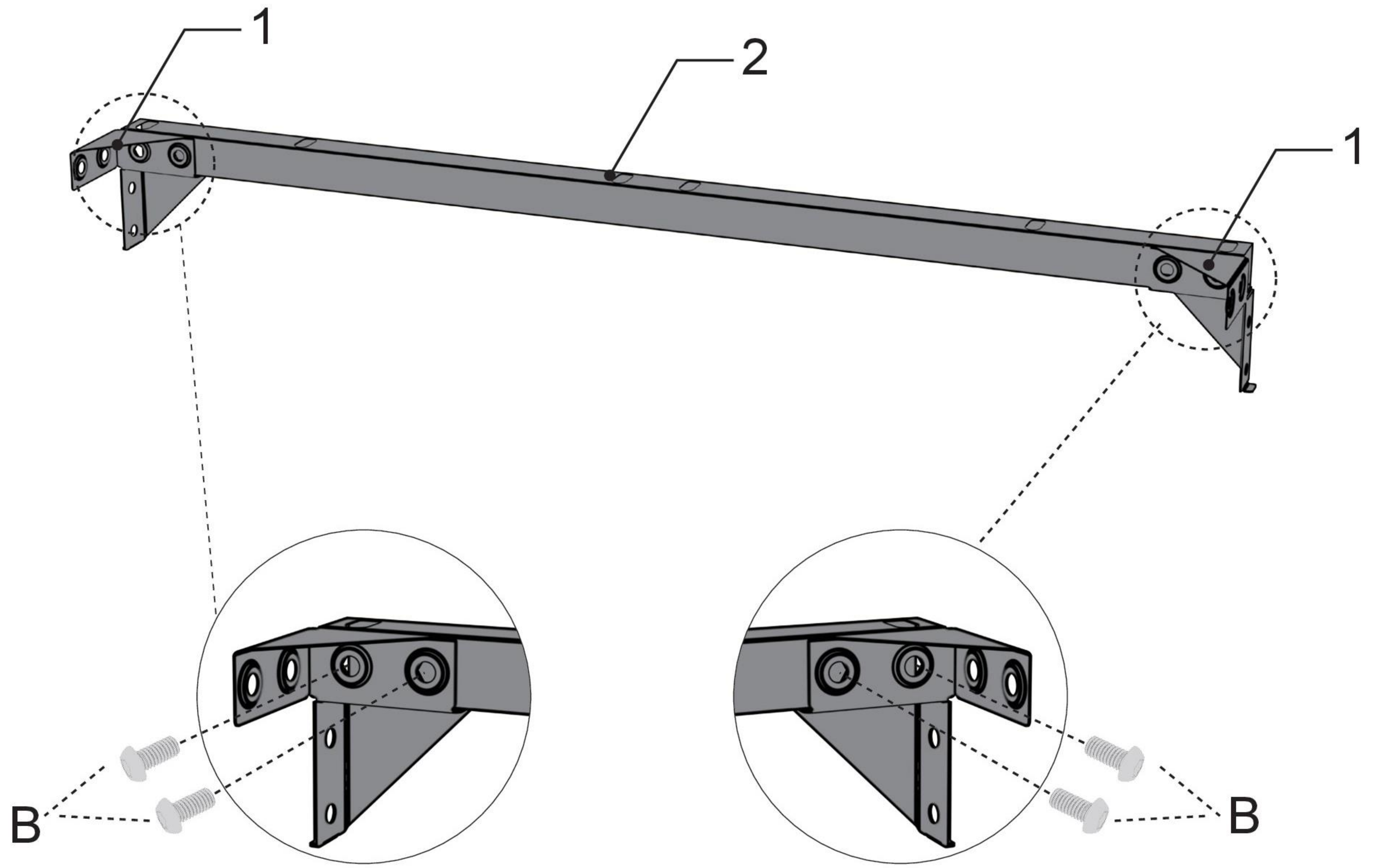
	M6X12	
B		16pcs.

4



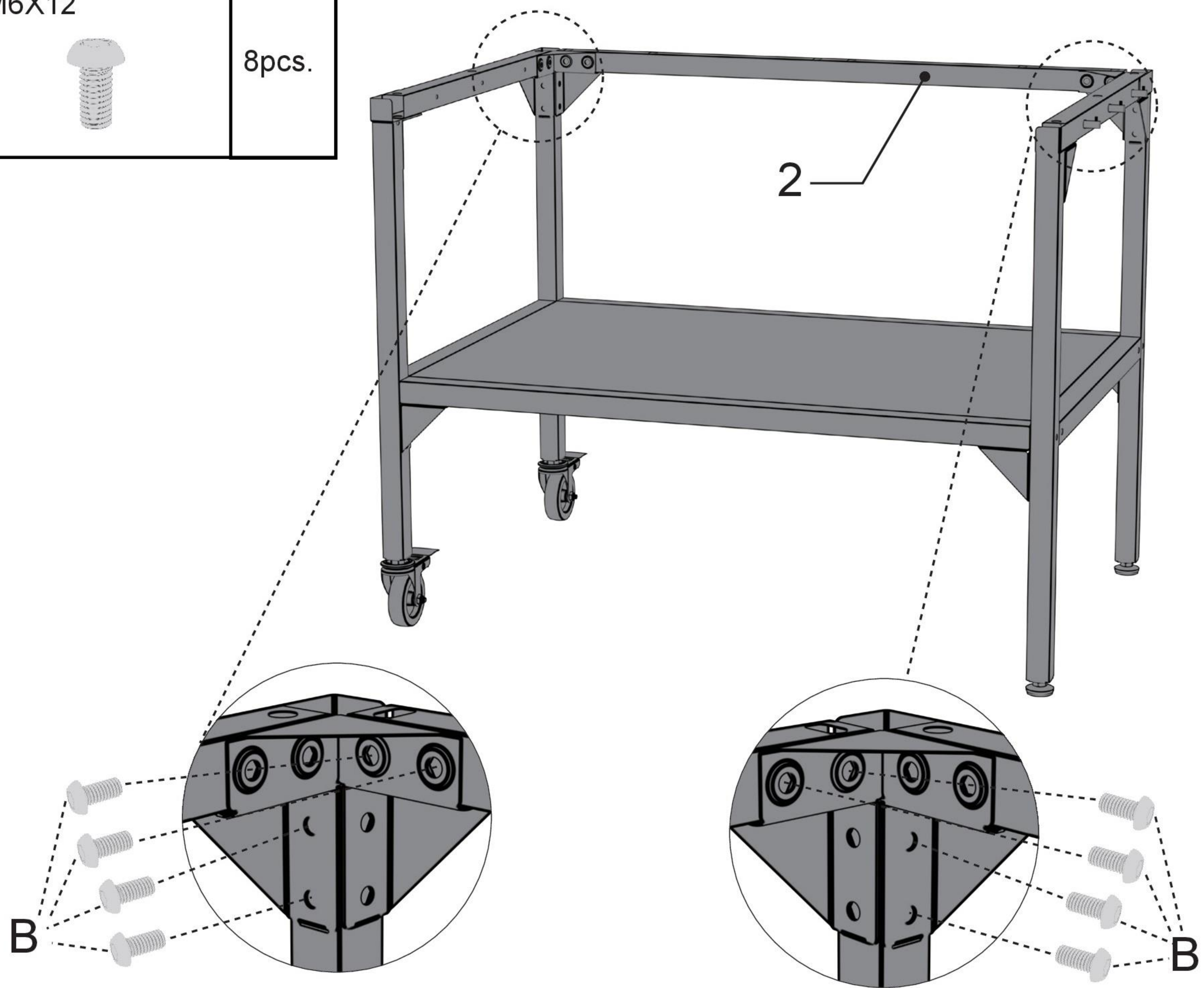
	M6X12	
B		4pcs.

5

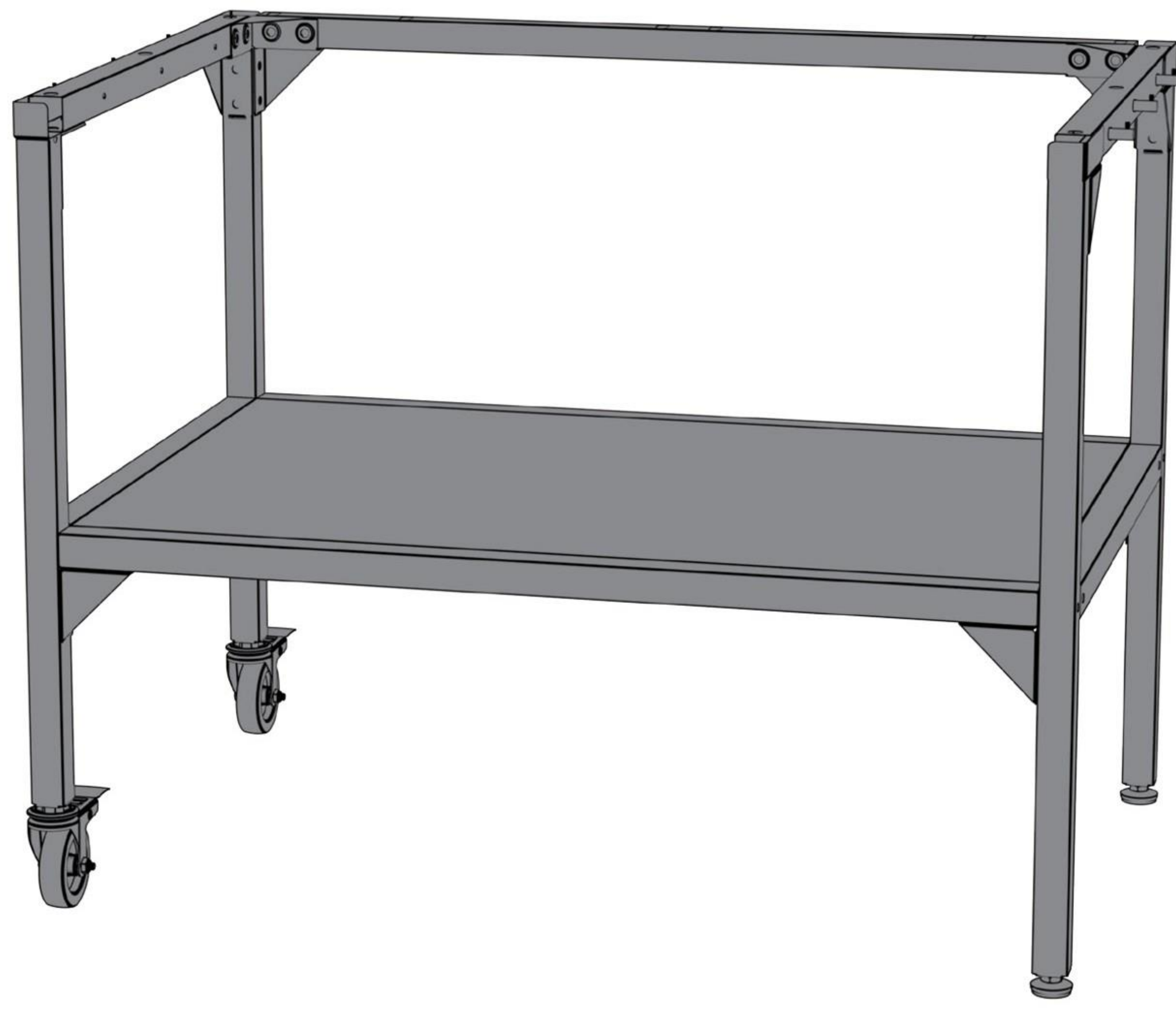


	M6X12	
B		8pcs.

6



7



OK



90200



FIND MORE INSPIRATION  
AT [COZZEBBQ.COM](http://COZZEBBQ.COM)



Manufactured by  
Millarco International A/S  
Rokhoj 26, 8520 Lystrup - Denmark  
[www.millarco.com](http://www.millarco.com)  
[www.cozzebq.com](http://www.cozzebq.com)



**COZZE**<sup>®</sup>