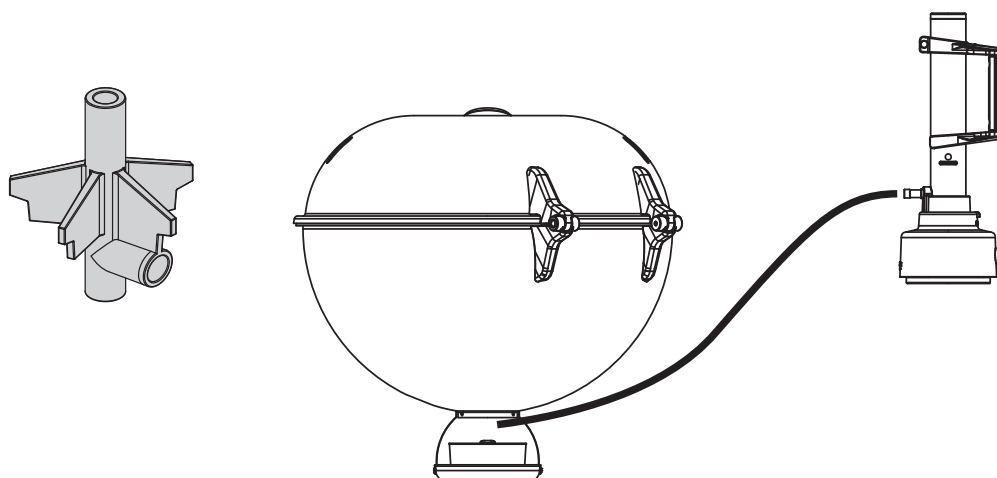
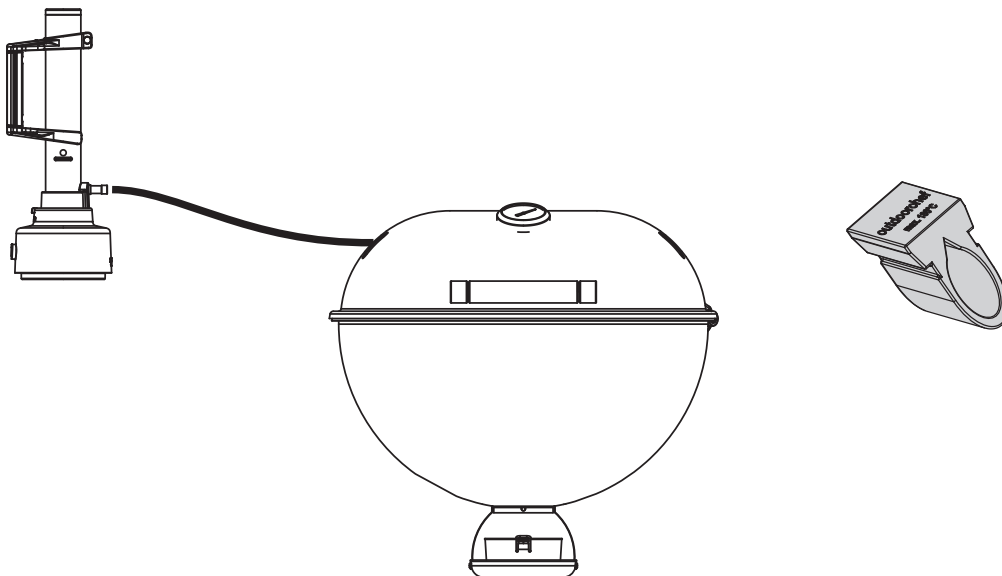
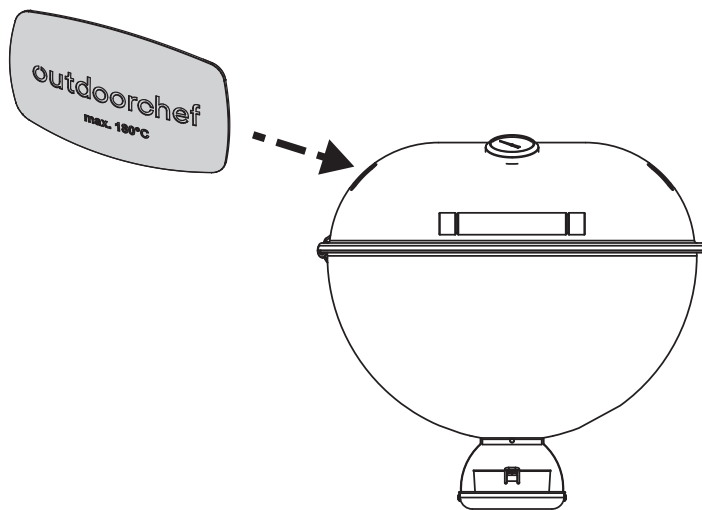
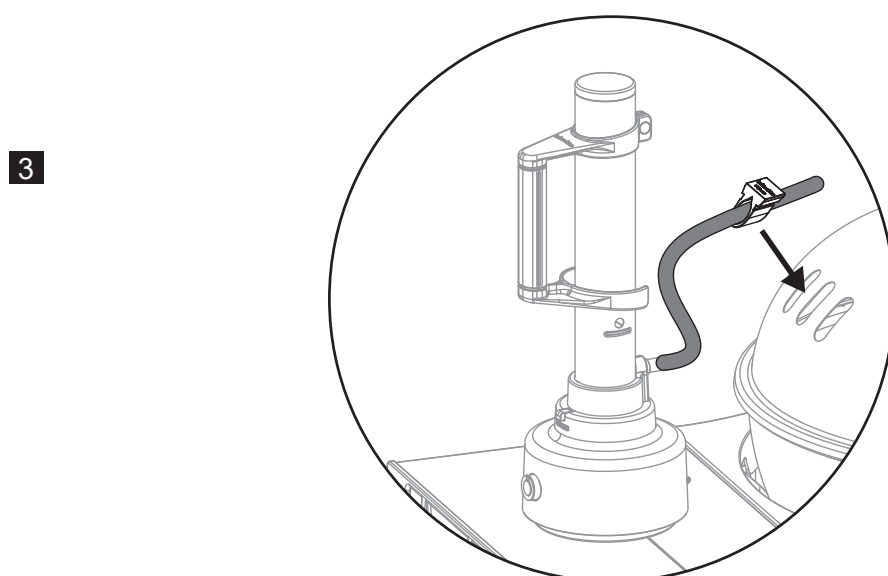
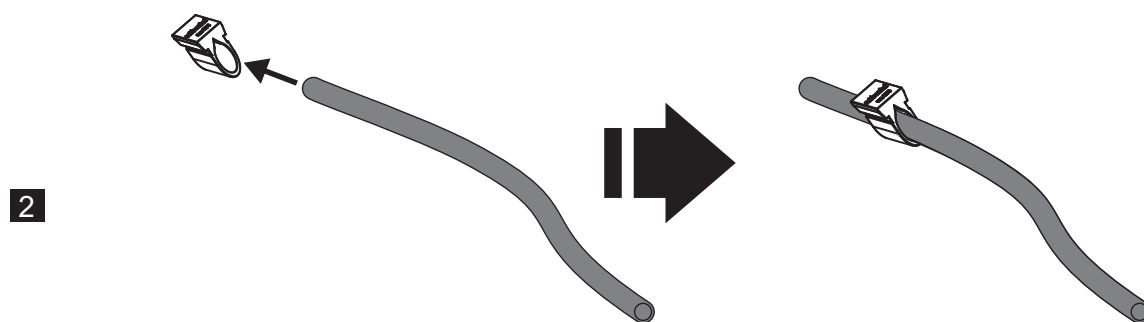
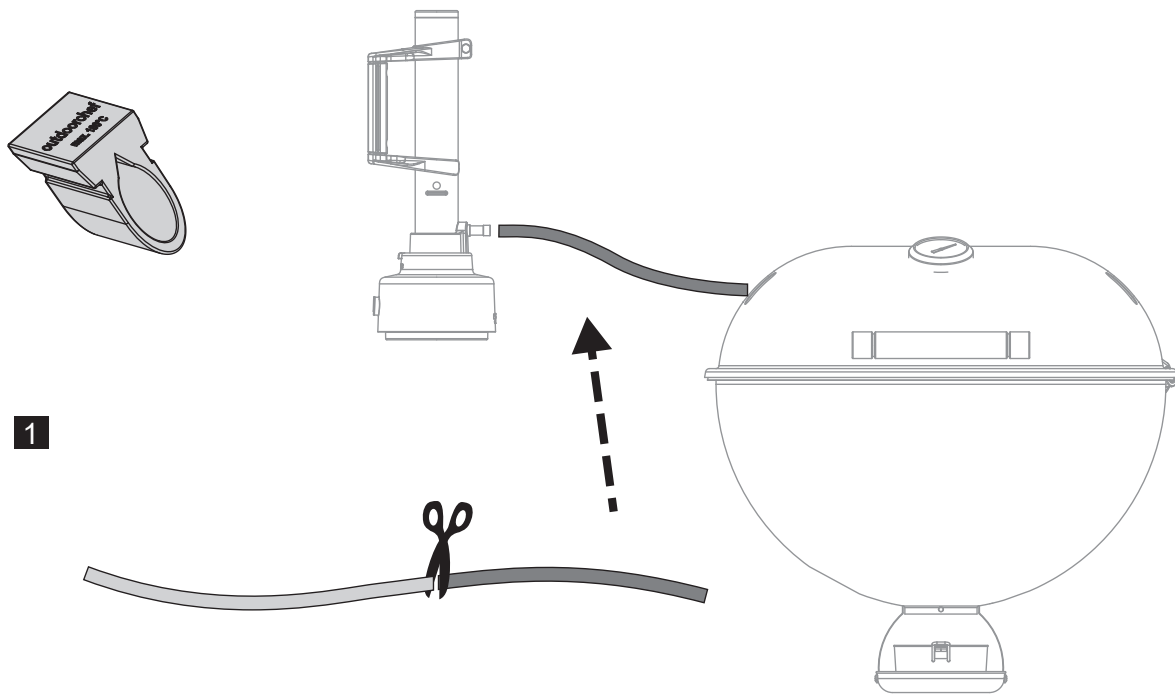


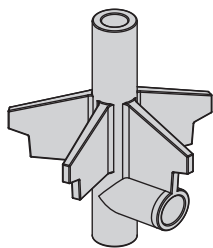
ADAPTER SET

ADAPTER SET

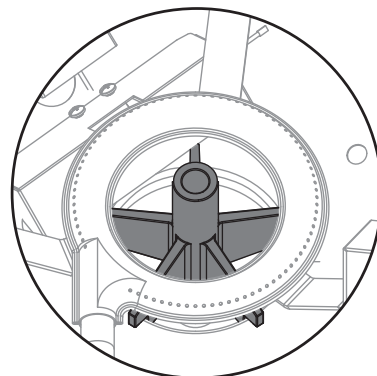
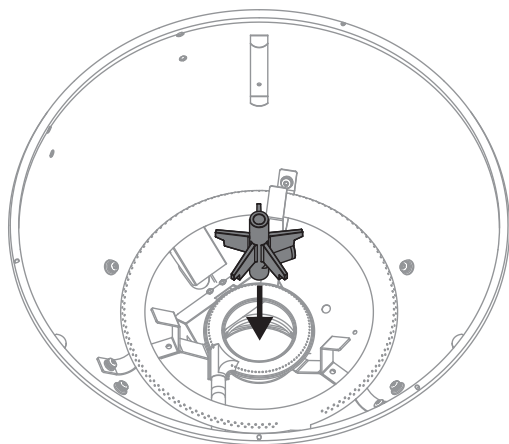




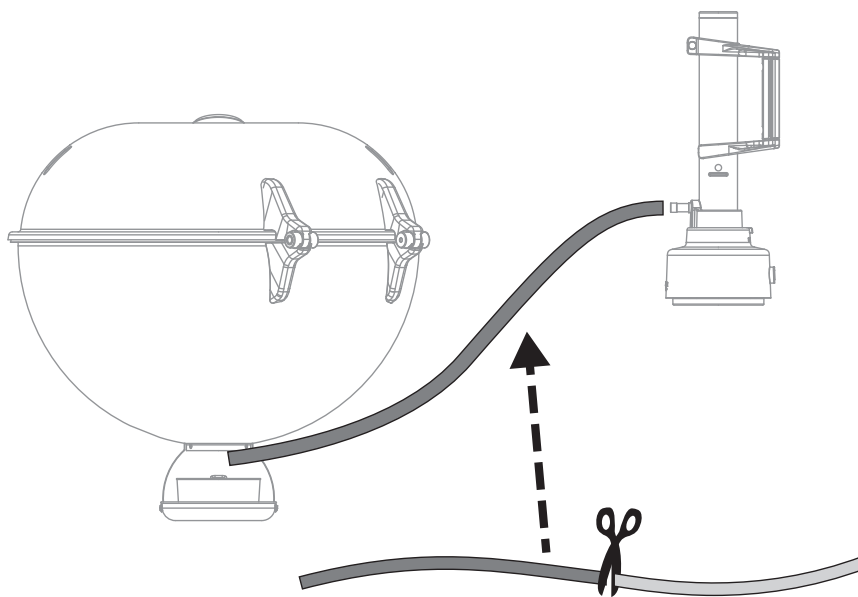
ADAPTER SET



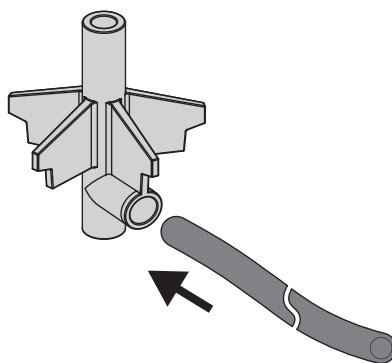
1

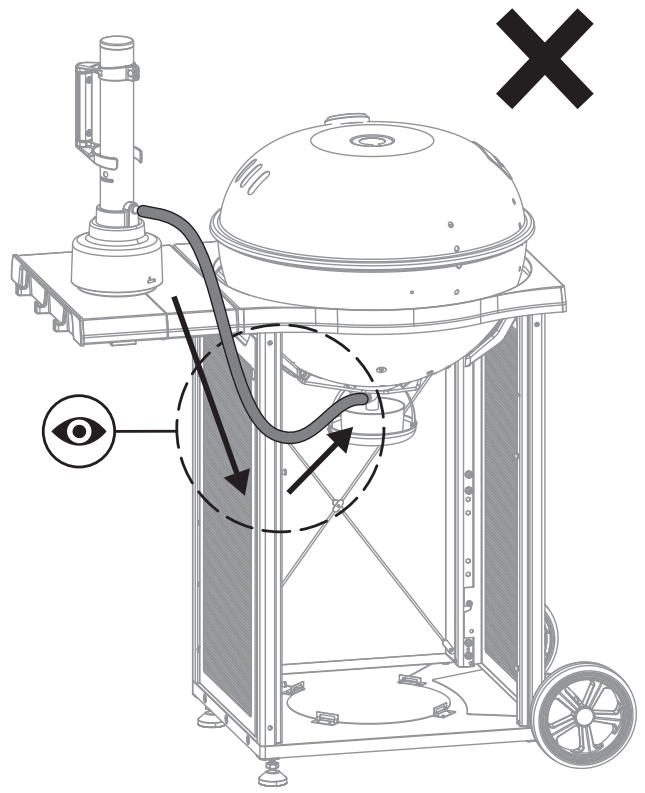
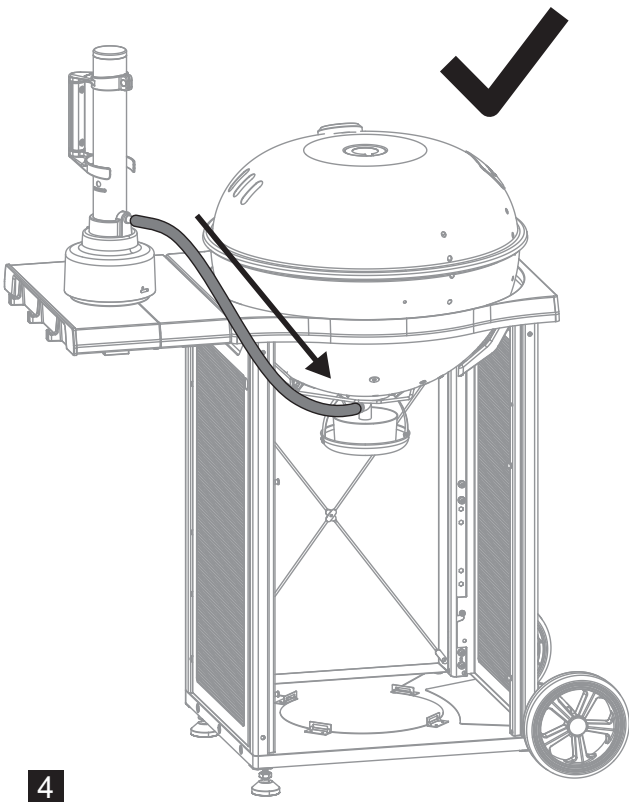


2



3





ADAPTER SET

